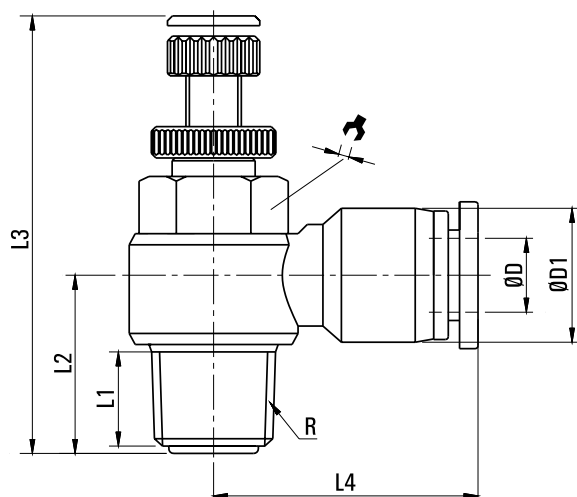


## Zawór regulujący przepływ 04 1/4



|               |                     |
|---------------|---------------------|
| SKU           | PU-SC-04-02         |
| Producent     | Hi-Tech             |
| waz           | O 4 mm              |
| typ           | z zaworem           |
| przylacze     | G 1/4"              |
| rodzaj gwintu | zewnetrzny          |
| typ zaworu    | regulujacy przeplyw |



| MODEL    | ØD | R    | L1   | L2   | L3 | L4   | ØD1  | ↻  |
|----------|----|------|------|------|----|------|------|----|
| SC-04-M5 | 4  | M5   | 3.2  | 12   | 32 | 20.5 | 11.5 | 8  |
| SC-04-01 | 4  | 1/8" | 6.4  | 14   | 42 | 23.5 | 11.5 | 12 |
| SC-04-02 | 4  | 1/4" | 10   | 18   | 48 | 25.5 | 11.5 | 14 |
| SC-06-M5 | 6  | M5   | 3.2  | 12   | 32 | 22   | 13.5 | 8  |
| SC-06-01 | 6  | 1/8" | 6.4  | 14   | 42 | 23.5 | 13.5 | 12 |
| SC-06-02 | 6  | 1/4" | 10   | 18   | 48 | 25.4 | 13.5 | 14 |
| SC-06-03 | 6  | 3/8" | 11.4 | 20.5 | 53 | 29.5 | 13.5 | 19 |
| SC-08-01 | 8  | 1/8" | 6.4  | 14.5 | 42 | 26.5 | 15   | 12 |
| SC-08-02 | 8  | 1/4" | 10   | 19   | 48 | 28.9 | 15   | 14 |
| SC-08-03 | 8  | 3/8" | 11.4 | 20.5 | 53 | 29.8 | 15   | 19 |
| SC-08-04 | 8  | 1/2" | 14   | 25.5 | 61 | 32.5 | 15   | 24 |
| SC-10-02 | 10 | 1/4" | 10   | 20   | 48 | 32.6 | 19   | 14 |
| SC-10-03 | 10 | 3/8" | 11.4 | 22.5 | 53 | 33   | 19   | 19 |
| SC-10-04 | 10 | 1/2" | 14   | 25.5 | 61 | 36   | 19   | 24 |
| SC-12-02 | 12 | 1/4" | 10   | 20   | 48 | 33.5 | 21.5 | 14 |
| SC-12-03 | 12 | 3/8" | 11.4 | 24   | 53 | 35.5 | 21.5 | 19 |
| SC-12-04 | 12 | 1/2" | 14   | 30   | 61 | 36.5 | 21.5 | 24 |