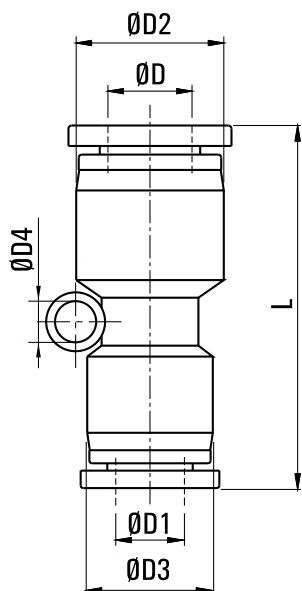


Redukcja 6/4 - 4/2 PG-06-04



| | |
|-----------|-------------|
| SKU | PU-PG-06-04 |
| Producent | Hi-Tech |
| waz | Ø 6 mm |
| waz (r) | Ø 4 mm |
| typ | redukcja |



| MODEL | ØD | ØD1 | ØD2 | ØD3 | ØD4 | L |
|----------|----|-----|------|------|-----|------|
| PG-06-04 | 6 | 4 | 13.5 | 11.5 | 3.2 | 34.5 |
| PG-08-04 | 8 | 4 | 15 | 13.5 | 3.2 | 36.5 |
| PG-08-06 | 8 | 6 | 15 | 13.5 | 3.2 | 36.5 |
| PG-10-06 | 10 | 6 | 19 | 15 | 4.2 | 44 |
| PG-10-08 | 10 | 8 | 19 | 15 | 4.2 | 44 |
| PG-12-08 | 12 | 8 | 21.5 | 19 | 4.2 | 48 |
| PG-12-10 | 12 | 10 | 21.5 | 19 | 4.2 | 49 |
| PG-16-12 | 16 | 12 | 26.5 | 26.5 | - | 64 |