

Atlas Copco

Instruction Manual



Instruction Manual
for Portable Compressors
English

XRHS 506 Cd - XRHS 1100 CD6
XRVS 476 Cd - XRVS 1000 CD6

Engine CAT C13 Tier 3

Atlas Copco

**Instruction Manual
for Portable Compressors**

**XRHS 506 Cd - XRHS 1100 CD6
XRVS 476 Cd - XRVS 1000 CD6**

Original instructions

Printed matter N°
2954 2510 05

05/2012



ATLAS COPCO - PORTABLE ENERGY DIVISION
www.atlascopco.com

Warranty and Liability Limitation

Use only authorized parts.

Any damage or malfunction caused by the use of unauthorized parts is not covered by Warranty or Product Liability.

The manufacturer does not accept any liability for any damage arising from modifications, additions or conversions made without the manufacturer's approval in writing.

Neglecting maintenance or making changes to the setup of the machine can result in major hazards, including fire risk.

While every effort has been made to ensure that the information in this manual is correct, Atlas Copco does not assume responsibility for possible errors.

Copyright 2012, Atlas Copco Airpower n.v., Antwerp, Belgium.

Any unauthorized use or copying of the contents or any part thereof is prohibited.

This applies in particular to trademarks, model denominations, part numbers and drawings.

Preface

Please read the following instructions carefully before starting to use your compressor.

It is a solid, safe and reliable machine, built according to the latest technology. Follow the instructions in this booklet and we guarantee you years of troublefree operation.

Always keep the manual available near the machine.

In all correspondence always mention the compressor type and serial number, shown on the data plate.

The company reserves the right to make changes without prior notice.

CALIFORNIA Proposition 65 Warning

Diesel engine exhaust and some of its constituents are known to the State of California to cause cancer, birth defects, and other reproductive harm.

Table of contents

1	Safety precautions	7	4.3.2	Operations overview	33
1.1	Introduction	7	4.4	Before starting	34
1.2	General safety precautions	8	4.5	Starting / Stopping	36
1.3	Safety during transport and installation	9	4.5.1	Control panel	36
1.4	Safety during use and operation	9	4.5.2	Operations overview	37
1.5	Safety during maintenance and repair	11	4.5.3	Battery switch	37
1.6	Tool applications safety	12	4.5.4	Specific start procedure	38
1.7	Specific safety precautions	13	4.5.5	Power ON / OFF	39
2	Leading particulars	14	4.5.6	Starting	39
2.1	General description	14	4.5.7	Warming up	40
3	Main parts	16	4.5.8	Loading	40
3.1	Regulating system	18	4.5.9	Fault codes	41
3.1.1	Overview	18	4.5.10	Stopping	43
3.1.2	Air flow	19	4.5.11	Starting/Stopping via remote control	43
3.1.3	Oil system	19	4.5.12	Emergency stop	44
3.1.4	Continuous pneumatic regulating system ...	20	4.5.13	Info	44
3.2	Electric system	22	4.5.14	Options	45
3.3	Markings and information labels	29	4.5.15	Electric refuel pump (option)	46
4	Operating instructions	30	4.5.16	Service task confirmed	46
4.1	Parking, towing and lifting instructions	30	4.5.17	Service in advance	46
4.1.1	Parking instructions Wagon	30	5	Maintenance	47
4.1.2	Towing instructions Wagon	31	5.1	Liability	47
4.1.3	Towbar levelling Wagon	31	5.2	Service paks	47
4.1.4	Lifting instructions	32	5.3	Service kits	47
4.2	Internal lighting	32	5.3.1	Storage	47
4.3	Preheater (option)	32	5.3.2	Safety precautions	47
4.3.1	Description heating operation	32	5.4	Preventive maintenance schedule	48
			5.5	Maintenance schedule compressor	48
			5.6	Oil specifications	53
			5.6.1	Compressor oil	53
			5.6.2	Engine oil	54
			5.7	Oil level check	55
			5.7.1	Check engine oil level	55

5.7.2	Check compressor oil level.....	55	6.2.5	Safety valve.....	67	11.1	Parts, subjected to Pressure Equipment Directive 97/23/EC, cat. II and above 97
5.8	Oil and oil filter change.....	56	6.3	Fuel system.....	67	11.2	Parts, subjected to cat. I and covered by the Machine Directive 89/392/EC 98
5.8.1	Engine oil and oil filter change.....	56	6.3.1	Priming instructions.....	67	11.3	Parts, subjected to art. I, paragraph 3.3.....
5.8.2	Topping up the compressor oil.....	56	6.3.2	Replacing filter elements.....	68		
5.8.3	Compressor oil and oil filter change.....	57	6.3.3	Cleaning crankcase breather filter.....	68		
5.9	Compressor Oil Flushing Procedure.....	58	6.3.4	Maintenance Quick action fuel couplings... 69		12	Disposal
5.10	Coolant specifications.....	59	6.4	Brake adjustments.....	70	12.1	General.....
5.10.1	PARCOOL EG.....	59	6.4.1	Brake shoe adjustment (no ABS).....	70	12.2	Disposal of materials.....
5.10.2	Handling PARCOOL EG.....	60	6.4.2	ABS braking system.....	70		
5.11	Coolant check.....	60	6.4.3	Brake adjustment wagon ABS.....	71		
5.12	Topping up/replacing coolant.....	60	6.4.4	Brake adjustment wagon without ABS..	72		
5.12.1	Topping up without draining from the cooling system 61		6.4.5	Brake adjustment tandem ABS.....	73		
5.12.2	Topping up after limited quantity draining from the cooling system 62		6.4.6	Brake adjustment tandem without ABS.	74	13	Maintenance Log
5.12.3	Replacing the coolant.....	63	7	Problem solving	75		
5.13	Cleaning coolers.....	63	7.1	Heater failure.....	78		
5.14	Battery care.....	64	7.2	Oiltronix failure.....	78		
5.14.1	Electrolyte.....	64	8	Available options	79		
5.14.2	Activating a dry-charged battery.....	64	9	Technical specifications	89		
5.14.3	Recharging a battery.....	64	9.1	Torque values.....	89		
5.14.4	Battery maintenance.....	64	9.1.1	General torque values.....	89		
5.15	Compressor element overhaul.....	64	9.1.2	Critical torque values.....	89		
6	Adjustments and servicing procedures ..	65	9.2	Compressor / engine specifications.....	90		
6.1	Adjustment of the continuous pneumatic regulating system 65		9.2.1	Reference conditions.....	90		
6.2	Air filters engine / compressor.....	66	9.2.2	Limitations.....	90		
6.2.1	Main parts.....	66	9.2.3	Performance data.....	91		
6.2.2	Cleaning the dust trap.....	66	9.2.4	Altitude unit performance curve.....	93		
6.2.3	Replacing the filter element and the safety cartridge 66		9.2.5	Design data.....	94		
6.2.4	Air receiver.....	67	10	Dataplate	96		
			11	Legislation	97		

Safety precautions



To be read attentively and acted accordingly before towing, lifting, operating, performing maintenance or repairing the compressor.

INTRODUCTION

The policy of Atlas Copco is to provide the users of their equipment with safe, reliable and efficient products. Factors taken into account are among others:

- the intended and predictable future use of the products, and the environments in which they are expected to operate,
- applicable rules, codes and regulations,
- the expected useful product life, assuming proper service and maintenance,
- providing the manual with up-to-date information.

Before handling any product, take time to read the relevant instruction manual. Besides giving detailed operating instructions, it also gives specific information about safety, preventive maintenance, etc.

Keep the manual always at the unit location, easy accessible to the operating personnel.

See also the safety precautions of the engine and possible other equipment, which are separately sent along or are mentioned on the equipment or parts of the unit.

These safety precautions are general and some statements will therefore not always apply to a particular unit.

Only people that have the right skills should be allowed to operate, adjust, perform maintenance or repair on Atlas Copco equipment.

It is the responsibility of management to appoint operators with the appropriate training and skill for each category of job.

Skill level 1: Operator

An operator is trained in all aspects of operating the unit with the push-buttons, and is trained to know the safety aspects.

Skill level 2: Mechanical technician

A mechanical technician is trained to operate the unit the same as the operator. In addition, the mechanical technician is also trained to perform maintenance and repair, as described in the instruction manual, and is allowed to change settings of the control and safety system. A mechanical technician does not work on live electrical components.

Skill level 3: Electrical technician

An electrical technician is trained and has the same qualifications as both the operator and the mechanical technician. In addition, the electrical technician may carry out electrical repairs within the various enclosures of the unit. This includes work on live electrical components.

Skill level 4: Specialist from the manufacturer

This is a skilled specialist sent by the manufacturer or its agent to perform complex repairs or modifications to the equipment.

In general it is recommended that not more than two people operate the unit, more operators could lead to unsafe operating conditions.

Take necessary steps to keep unauthorized persons away from the unit and eliminate all possible sources of danger at the unit.

When handling, operating, overhauling and/or performing maintenance or repair on Atlas Copco equipment, the mechanics are expected to use safe engineering practices and to observe all relevant local safety requirements and ordinances. The following list is a reminder of special safety directives and precautions mainly applicable to Atlas Copco equipment.

These safety precautions apply to machinery processing or consuming air. Processing of any other gas requires additional safety precautions typical to the application and are not included herein.

Neglecting the safety precautions may endanger people as well as environment and machinery:

- endanger people due to electrical, mechanical or chemical influences,
- endanger the environment due to leakage of oil, solvents or other substances,
- endanger the machinery due to function failures.

All responsibility for any damage or injury resulting from neglecting these precautions or by non-observance of ordinary caution and due care required in handling, operating, maintenance or repair, also if not expressly mentioned in this instruction manual, is disclaimed by Atlas Copco.

The manufacturer does not accept any liability for any damage arising from the use of non-original parts and for modifications, additions or conversions made without the manufacturer's approval in writing.

If any statement in this manual does not comply with local legislation, the stricter of the two shall be applied.

Statements in these safety precautions should not be interpreted as suggestions, recommendations or inducements that it should be used in violation of any applicable laws or regulations.

GENERAL SAFETY PRECAUTIONS

- 1 The owner is responsible for maintaining the unit in a safe operating condition. Unit parts and accessories must be replaced if missing or unsuitable for safe operation.
- 2 The supervisor, or the responsible person, shall at all times make sure that all instructions regarding machinery and equipment operation and maintenance are strictly followed and that the machines with all accessories and safety devices, as well as the consuming devices, are in good repair, free of abnormal wear or abuse, and are not tampered with.
- 3 Whenever there is an indication or any suspicion that an internal part of a machine is overheated, the machine shall be stopped but no inspection covers shall be opened before sufficient cooling time has elapsed; this to avoid the risk of spontaneous ignition of oil vapour when air is admitted.
- 4 Normal ratings (pressures, temperatures, speeds, etc.) shall be durably marked.
- 5 Operate the unit only for the intended purpose and within its rated limits (pressure, temperature, speeds, etc.).
- 6 The machinery and equipment shall be kept clean, i.e. as free as possible from oil, dust or other deposits.
- 7 To prevent an increase in working temperature, inspect and clean heat transfer surfaces (cooler fins, intercoolers, water jackets, etc.) regularly. See the **Maintenance schedule compressor**.
- 8 All regulating and safety devices shall be maintained with due care to ensure that they function properly. They may not be put out of action.
- 9 Care shall be taken to avoid damage to safety valves and other pressure-relief devices, especially to avoid plugging by paint, oil coke or dirt accumulation, which could interfere with the functioning of the device.
- 10 Pressure and temperature gauges shall be checked regularly with regard to their accuracy. They shall be replaced whenever outside acceptable tolerances.
- 11 Safety devices shall be tested as described in the maintenance schedule of the instruction manual to determine that they are in good operating condition. See the **Maintenance schedule compressor**.
- 12 Mind the markings and information labels on the unit.
- 13 In the event the safety labels are damaged or destroyed, they must be replaced to ensure operator safety.
- 14 Keep the work area neat. Lack of order will increase the risk of accidents.
- 15 When working on the unit, wear safety clothing. Depending on the kind of activities these are: safety glasses, ear protection, safety helmet (including visor), safety gloves, protective clothing, safety shoes. Do not wear the hair long and loose (protect long hair with a hairnet), or wear loose clothing or jewelry.
- 16 Take precautions against fire. Handle fuel, oil and anti-freeze with care because they are inflammable substances. Do not smoke or approach with naked flame when handling such substances. Keep a fire-extinguisher in the vicinity.

SAFETY DURING TRANSPORT AND INSTALLATION

Transport of the unit has to be done by authorized/experienced people.

When towing, lifting or transporting the compressor in any way, the battery switch must always be in the "OFF" position!

To lift a unit, all loose or pivoting parts, e.g. doors and tow bar, shall first be securely fastened.

Do not attach cables, chains or ropes directly to the lifting eye; apply a crane hook or lifting shackle meeting local safety regulations. Never allow sharp bends in lifting cables, chains or ropes.

Helicopter lifting is not allowed.

It is strictly forbidden to dwell or stay in the risk zone under a lifted load. Never lift the unit over people or residential areas. Lifting acceleration and retardation shall be kept within safe limits.

1 Before towing the unit:

- ascertain that the pressure vessel(s) is (are) depressurized,
- check the tow bar, the brake system and the towing eye. Also check the coupling of the towing vehicle,
- check the towing and brake capability of the towing vehicle,
- check that the tow bar, jockey wheel or stand leg is safely locked in the raised position,
- ascertain that the towing eye can swivel freely on the hook,
- check that the wheels are secure and that the tyres are in good condition and inflated correctly,
- connect the signalisation cable, check all lights and connect the pneumatic brake couplers,

- attach the safety break-away cable or safety chain to the towing vehicle,
 - remove wheel chocks, if applied, and disengage the parking brake,
 - check whether springs on wheelchocks are missing or broken.
- 2 To tow a unit use a towing vehicle of ample capacity. Refer to the documentation of the towing vehicle.
 - 3 If the unit is to be backed up by the towing vehicle, disengage the overrun brake mechanism (if it is not an automatic mechanism).
 - 4 Never exceed the maximum towing speed of the unit (mind the local regulations).
 - 5 Place the unit on level ground and apply the parking brake before disconnecting the unit from the towing vehicle. Unclip the safety break-away cable or safety chain. If the unit has no parking brake or jockey wheel, immobilize the unit by placing chocks in front of and/or behind the wheels. When the tow bar can be positioned vertically, the locking device must be applied and kept in good order. The unit must always be used/parked/stored in a non publicly accessible area, locked away from access by unauthorized persons.
 - 6 To lift heavy parts, a hoist of ample capacity, tested and approved according to local safety regulations, shall be used.
 - 7 Lifting hooks, eyes, shackles, etc., shall never be bent and shall only have stress in line with their design load axis. The capacity of a lifting device diminishes when the lifting force is applied at an angle to its load axis.
 - 8 For maximum safety and efficiency of the lifting apparatus all lifting members shall be applied as near to perpendicular as possible. If required, a

lifting beam shall be applied between hoist and load.

- 9 Never leave a load hanging on a hoist.
- 10 A hoist has to be installed in such a way that the object will be lifted perpendicular. If that is not possible, the necessary precautions must be taken to prevent load-swinging, e.g. by using two hoists, each at approximately the same angle not exceeding 30° from the vertical.
- 11 Locate the unit away from walls. Take all precautions to ensure that hot air exhausted from the engine and driven machine cooling systems cannot be recirculated. If such hot air is taken in by the engine or driven machine cooling fan, this may cause overheating of the unit; if taken in for combustion, the engine power will be reduced.
- 12 Before moving the compressor, switch it off.
- 13 If the warning light on the ABS module or in the vehicle lights up, please contact Atlas Copco.

SAFETY DURING USE AND OPERATION

- 1 When the unit has to operate in a fire-hazardous environment, each engine exhaust has to be provided with a spark arrester to trap incendiary sparks.
- 2 The exhaust contains carbon monoxide which is a lethal gas. When the unit is used in a confined space, conduct the engine exhaust to the outside atmosphere by a pipe of sufficient diameter; do this in such a way that no extra back pressure is created for the engine. If necessary, install an extractor. Observe any existing local regulations. Make sure that the unit has sufficient air intake for operation. If necessary, install extra air intake ducts.

- 3 When operating in a dust-laden atmosphere, place the unit so that dust is not carried towards it by the wind. Operation in clean surroundings considerably extends the intervals for cleaning the air intake filters and the cores of the coolers.
- 4 Close the compressor air outlet valve before connecting or disconnecting a hose. Ascertain that a hose is fully depressurized before disconnecting it. Before blowing compressed air through a hose or air line, ensure that the open end is held securely, so that it cannot whip and cause injury.
- 5 The air line end connected to the outlet valve must be safeguarded with a safety cable, attached next to the valve.
- 6 No external force may be exerted on the air outlet valves, e.g. by pulling on hoses or by installing auxiliary equipment directly to a valve, e.g. a water separator, a lubricator, etc. Do not step on the air outlet valves.
- 7 Never move a unit when external lines or hoses are connected to the outlet valves, to avoid damage to valves, manifold and hoses.
- 8 Do not use compressed air from any type of compressor, without taking extra measures, for breathing purposes as this may result in injury or death. For breathing air quality, the compressed air must be adequately purified according to local legislation and standards. Breathing air must always be supplied at stable, suitable pressure.
- 9 Distribution pipework and air hoses must be of correct diameter and suitable for the working pressure. Never use frayed, damaged or deteriorated hoses. Replace hoses and flexibles before the lifetime expires. Use only the correct type and size of hose end fittings and connections.
- 10 If the compressor is to be used for sand-blasting or will be connected to a common compressed-air system, fit an appropriate non-return valve (check valve) between compressor outlet and the connected sand-blasting or compressed-air system. Observe the right mounting position/direction.
- 11 Before removing the oil filler plug, ensure that the pressure is released by opening an air outlet valve.
- 12 Never remove a filler cap of the cooling water system of a hot engine. Wait until the engine has sufficiently cooled down.
- 13 Never refill fuel while the unit is running, unless otherwise stated in the Atlas Copco Instruction Book (AIB). Keep fuel away from hot parts such as air outlet pipes or the engine exhaust. Do not smoke when fuelling. When fuelling from an automatic pump, an earthing cable should be connected to the unit to discharge static electricity. Never spill nor leave oil, fuel, coolant or cleansing agent in or around the unit.
- 14 All doors shall be shut during operation so as not to disturb the cooling air flow inside the bodywork and/or render the silencing less effective. A door should be kept open for a short period only e.g. for inspection or adjustment.
- 15 Periodically carry out maintenance works according to the maintenance schedule.
- 16 Stationary housing guards are provided on all rotating or reciprocating parts not otherwise protected and which may be hazardous to personnel. Machinery shall never be put into operation, when such guards have been removed, before the guards are securely reinstalled.
- 17 Noise, even at reasonable levels, can cause irritation and disturbance which, over a long period of time, may cause severe injuries to the nervous system of human beings. When the sound pressure level, at any point where personnel normally has to attend, is:
 - below 70 dB(A): no action needs to be taken,
 - above 70 dB(A): noise-protective devices should be provided for people continuously being present in the room,
 - below 85 dB(A): no action needs to be taken for occasional visitors staying a limited time only,
 - above 85 dB(A): room to be classified as a noise-hazardous area and an obvious warning shall be placed permanently at each entrance to alert people entering the room, for even relatively short times, about the need to wear ear protectors,
 - above 95 dB(A): the warning(s) at the entrance(s) shall be completed with the recommendation that also occasional visitors shall wear ear protectors,
 - above 105 dB(A): special ear protectors that are adequate for this noise level and the spectral composition of the noise shall be provided and a special warning to that effect shall be placed at each entrance.
- 18 The unit has parts, which may be accidentally touched by personnel, of which the temperature can be in excess of 80 °C (176 °F). The insulation or safety guard, protecting these parts shall not be removed before the parts have cooled down to room temperature.
- 19 Never operate the unit in surroundings where there is a possibility of taking in flammable or toxic fumes.

- 20 If the working process produces fumes, dust or vibration hazards, etc., take the necessary steps to eliminate the risk of personnel injury.
- 21 When using compressed air or inert gas to clean down equipment, do so with caution and use the appropriate protection, at least safety glasses, for the operator as well as for any bystander. Do not apply compressed air or inert gas to your skin or direct an air or gas stream at people. Never use it to clean dirt from your clothes.
- 22 When washing parts in or with a cleaning solvent, provide the required ventilation and use appropriate protection such as a breathing filter, safety glasses, rubber apron and gloves, etc.
- 23 Safety shoes should be compulsory in any workshop and if there is a risk, however small, of falling objects, wearing of a safety helmet should be included.
- 24 If there is a risk of inhaling hazardous gases, fumes or dust, the respiratory organs must be protected and depending on the nature of the hazard, so must the eyes and skin.
- 25 Remember that where there is visible dust, the finer, invisible particles will almost certainly be present too; but the fact that no dust can be seen is not a reliable indication that dangerous, invisible dust is not present in the air.
- 26 Never operate the unit at pressures or speeds below or in excess of its limits as indicated in the technical specifications.
- 27 Do not use aerosol types of starting aids such as ether. Such use could result in an explosion and personal injury.

SAFETY DURING MAINTENANCE AND REPAIR

Maintenance, overhaul and repair work shall only be carried out by adequately trained personnel; if required, under supervision of someone qualified for the job.

- 1 Use only the correct tools for maintenance and repair work, and only tools which are in good condition.
- 2 Parts shall only be replaced by genuine Atlas Copco replacement parts.
- 3 All maintenance work, other than routine attention, shall only be undertaken when the unit is stopped. Steps shall be taken to prevent inadvertent starting. In addition, a warning sign bearing a legend such as "work in progress; do not start" shall be attached to the starting equipment. On engine-driven units the battery shall be disconnected and removed or the terminals covered by insulating caps. On electrically driven units the main switch shall be locked in open position and the fuses shall be taken out. A warning sign bearing a legend such as "work in progress; do not supply voltage" shall be attached to the fuse box or main switch.
- 4 Before dismantling any pressurized component, the compressor or equipment shall be effectively isolated from all sources of pressure and the entire system shall be relieved of pressure. Do not rely on non-return valves (check valves) to isolate pressure systems. In addition, a warning sign bearing a legend such as "work in progress; do not open" shall be attached to each of the outlet valves.
- 5 Prior to stripping an engine or other machine or undertaking major overhaul on it, prevent all movable parts from rolling over or moving.
- 6 Make sure that no tools, loose parts or rags are left in or on the machine. Never leave rags or loose clothing near the engine air intake.
- 7 Never use flammable solvents for cleaning (fire-risk).
- 8 Take safety precautions against toxic vapours of cleaning liquids.
- 9 Never use machine parts as a climbing aid.
- 10 Observe scrupulous cleanliness during maintenance and repair. Keep away dirt, cover the parts and exposed openings with a clean cloth, paper or tape.
- 11 Never weld on or perform any operation involving heat near the fuel or oil systems. Fuel and oil tanks must be completely purged, e.g. by steam-cleaning, before carrying out such operations. Never weld on, or in any way modify, pressure vessels. Disconnect the alternator cables during arc welding on the unit.
- 12 Support the tow bar and the axle(s) securely if working underneath the unit or when removing a wheel. Do not rely on jacks.
- 13 Do not remove any of, or tamper with, the sound-damping material. Keep the material free of dirt and liquids such as fuel, oil and cleansing agents. If any sound-damping material is damaged, replace it to prevent the sound pressure level from increasing.
- 14 Use only lubricating oils and greases recommended or approved by Atlas Copco or the machine manufacturer. Ascertain that the selected lubricants comply with all applicable safety regulations, especially with regard to explosion or fire-risk and the possibility of decomposition or generation of hazardous gases. Never mix synthetic with mineral oil.

- 15 Protect the engine, alternator, air intake filter, electrical and regulating components, etc., to prevent moisture ingress, e.g. when steam-cleaning.
- 16 When performing any operation involving heat, flames or sparks on a machine, the surrounding components shall first be screened with non-flammable material.
- 17 Never use a light source with open flame for inspecting the interior of a machine.
- 18 Disconnect –battery-clamp before starting electrical servicing or welding (evt. turn battery-switch in “off” position).
- 19 When repair has been completed, the machine shall be barred over at least one revolution for reciprocating machines, several revolutions for rotary ones to ensure that there is no mechanical interference within the machine or driver. Check the direction of rotation of electric motors when starting up the machine initially and after any alteration to the electrical connection(s) or switch gear, to check that the oil pump and the fan function properly.
- 20 Maintenance and repair work should be recorded in an operator’s logbook for all machinery. Frequency and nature of repairs can reveal unsafe conditions.
- 21 When hot parts have to be handled, e.g. shrink fitting, special heat-resistant gloves shall be used and, if required, other body protection shall be applied.
- 22 When using cartridge type breathing filter equipment, ascertain that the correct type of cartridge is used and that its useful service life is not surpassed.
- 23 Make sure that oil, solvents and other substances likely to pollute the environment are properly disposed of.
- 24 Before clearing the unit for use after maintenance or overhaul, check that operating pressures, temperatures and speeds are correct and that the control and shutdown devices function correctly.

TOOL APPLICATIONS SAFETY

Apply the proper tool for each job. With the knowledge of correct tool use and knowing the limitations of tools, along with some common sense, many accidents can be prevented.

Special service tools are available for specific jobs and should be used when recommended. The use of these tools will save time and prevent damage to parts.

SPECIFIC SAFETY PRECAUTIONS

Batteries

When servicing batteries, always wear protecting clothing and glasses.

- 1 The electrolyte in batteries is a sulphuric acid solution which is fatal if it hits your eyes, and which can cause burns if it contacts your skin. Therefore, be careful when handling batteries, e.g. when checking the charge condition.
- 2 Install a sign prohibiting fire, open flame and smoking at the post where batteries are being charged.
- 3 When batteries are being charged, an explosive gas mixture forms in the cells and might escape through the vent holes in the plugs. Thus an explosive atmosphere may form around the battery if ventilation is poor, and can remain in and around the battery for several hours after it has been charged. Therefore:
 - never smoke near batteries being, or having recently been, charged,
 - never break live circuits at battery terminals, because a spark usually occurs.
- 4 When connecting an auxiliary battery (AB) in parallel to the unit battery (CB) with booster cables: connect the + pole of AB to the + pole of CB, then connect the - pole of CB to the mass of the unit. Disconnect in the reverse order.

Pressure vessels

Maintenance/installation requirements:

- 1 The vessel can be used as pressure vessel or as separator and is designed to hold compressed air for the following application:
 - pressure vessel for compressor,
 - medium AIR/OIL,
 - and operates as detailed on the data plate of the vessel:
 - the maximum working pressure ps in bar (psi),
 - the maximum working temperature Tmax in °C (°F),
 - the minimum working temperature Tmin in °C (°F),
 - the capacity of the vessel V in l (US gal, Imp gal, cu.ft).
- 2 The pressure vessel is only to be used for the applications as specified above and in accordance with the technical specifications. Safety reasons prohibit any other applications.
- 3 National legislation requirements with respect to re-inspection must be complied with.
- 4 No welding or heat treatment of any kind is permitted to those vessel walls which are exposed to pressure.
- 5 The vessel is provided and may only be used with the required safety equipment such as manometer, overpressure control devices, safety valve, etc.
- 6 Draining of condensate shall be performed daily when vessel is in use.
- 7 Installation, design and connections should not be changed.
- 8 Bolts of cover and flanges may not be used for extra fixation.

- 9 (Pressure) vessel maintenance is to be performed by Atlas Copco.

Safety valves

Operating & Maintenance

Only trained and technically competent personnel should consider overhaul, re-set or performance testing of safety valves.

The safety valve is supplied with either a lead security seal or crimped cover to deter unauthorised access to the pressure regulation device.

Under no circumstances should the set pressure of the safety valve be altered to a different pressure than that stamped on the valve without the permission of the installation designer.

If the set pressure must be altered then use only correct parts supplied by Seetru and in accordance with the instructions available for the valve type.

Safety valves must be frequently tested and regularly maintained.

The set pressure should be periodically checked for accuracy.

When fitted, the lifting device should be operated at pressures not less than 75% of the set pressure to ensure free and easy movement of internal parts.

The frequency of tests is influenced by factors such as the severity of the operating environment and aggressiveness of the pressurised medium.

Soft seals and springs should be replaced as part of the maintenance procedure.

Do not paint or coat the installed safety valve (see also **Maintenance schedule compressor**).

Leading particulars

GENERAL DESCRIPTION

The XRHS 506 Cd - XRHS 1100 CD6 is a silenced, two-stage, oil-injected screw compressor, built for a nominal effective working pressure of 20 bar (290 psi).

The XRVS 476 Cd - XRVS 1000 CD6 is a silenced, two-stage, oil-injected screw compressor, built for a nominal effective working pressure of 25 bar (365 psi).

Engine

The compressors are driven by a 6 cylinder in-line liquid-cooled diesel engine.

The engine's power is transmitted to the compressor element through a heavy-duty coupling.

Compressor

The compressor casing houses two screw-type rotors, mounted on ball and roller bearings. The male rotor, driven by the engine, drives the female rotor. The compressor delivers pulsation-free air.

Injected oil is used for sealing, cooling and lubricating purposes.

Compressor oil system

The oil is boosted by air pressure. The system has no oil pump.

The oil is removed from the air, in the air/oil vessel at first by centrifugal force, secondly through the oil separator element.

The vessel is provided with an oil level indicator.

Regulation

The compressor is provided with a continuous pneumatic regulating system and a blow-off valve which is integrated in the unloader assembly. The valve is closed during operation by air receiver pressure and opens by air receiver pressure via the compressor element when the compressor is stopped.

When the air consumption increases, the air receiver pressure will decrease and vice versa.

This receiver pressure variation is sensed by the regulating valve which, by means of control air to the unloader and an electronic engine speed regulator, matches the air output to the air consumption. The air receiver pressure is maintained between the pre-selected working pressure and the corresponding unloading pressure.

Cooling system

The engine is provided with a liquid-cooler and intercooler and the compressor is provided with an oil cooler. (For available options see chapter **Available options**.)

The cooling air is generated by a fan, driven by the engine.

Safety devices

A thermal shut-down sensor protects the compressor against overheating. The air receiver is provided with a safety valve.

The engine is equipped with low oil pressure and high coolant temperature shut-down sensors.

The electric system is equipped with a 24V main switch.

Frame and axles

The compressor/engine unit is supported by rubber buffers in a spillage-free frame.

The standard compressor has a towbar with parking brakes.

For available options see chapter **Available options**.

Bodywork

The bodywork has openings for the intake and outlet of cooling air and hinged doors for maintenance and service operations. The bodywork is internally lined with sound-absorbing material.

Lifting beam

A lifting beam is accessible when a small door at the top is opened.

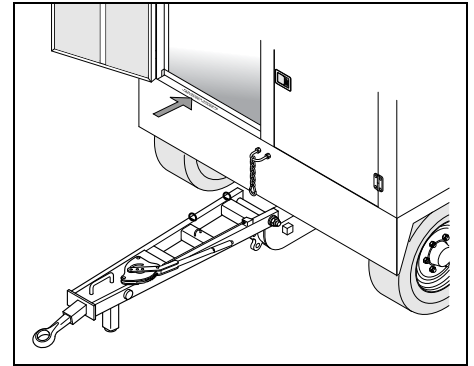
Control panel

The control panel grouping the air pressure gauge, control switch etc., is placed at the left hand/ rear end corner.

Data plate

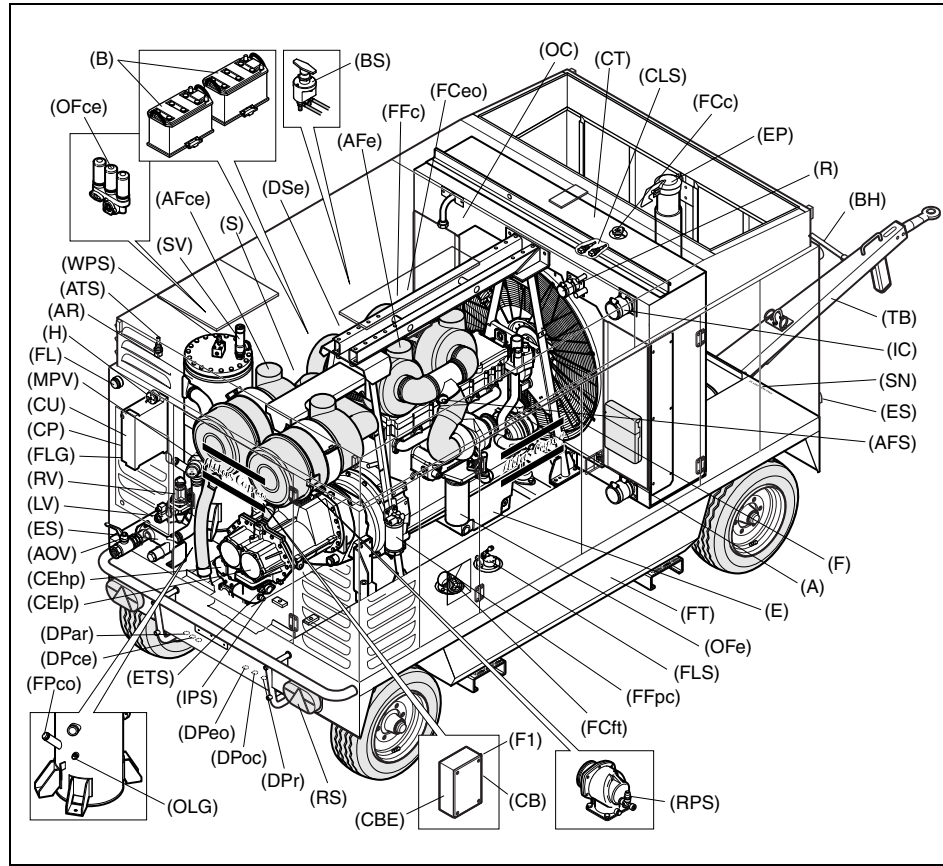
The compressor is furnished with a data plate showing the product code, the unit serial number and the working pressure (see chapter **Dataplate**).

Serial number



The serial number is stamped in at the front of the compressor on the upper edge of the frame behind the right door. It is also mentioned on the data plate and inside the control box.

Main parts



Reference	Name
A	Alternator
AFce	Air Filter (compressor element)
AFe	Air Filter (engine)
AFS	Air Filter Switch
AOV	Air Outlet Valves
AR	Air Receiver
ATS	Ambient Temperature Sensor
B	Battery
BH	Brake Handle
BS	Battery Switch
CB	Circuit Breaker
CBE	Cubicle for Electrical devices
CEhp	Compressor Element (high pressure)
CElp	Compressor Element (low pressure)
CLS	Coolant Level Switch
CP	Control Panel
CT	Coolant Tank
CU	Control Unit
DPar	Drain Plug Air Receiver
DPce	Drain Plug Compressor Element
DPeo	Drain Plug Engine Oil
DPoc	Drain Plug Oil Cooler
DPr	Drain Plug Radiator
DSe	Engine Oil Level Dipstick
E	Engine

Reference	Name
EP	Exhaust Pipe
ES	Emergency Stop
ETS	Element Temperature Sensor
F	Fan
F1	Fuse
FCeo	Filler Cap (engine oil)
FCft	Filler Cap (fuel tank)
FCc	Filler Cap (coolant)
FFpc	Fuel Prefilter Caterpillar
FFc	Fuel Filter Caterpillar
FL	Flash Light
FLG	Fuel Level Gauge
FLS	Fuel Level Sensor
FPco	Filler Plug (oil compressor element)
FT	Fuel Tank
H	Horn
IC	Intercooler
IPS	Interstage Pressure Sensor
LV	Loading Valve
MPV	Minimum Pressure Valve
OC	Oil Cooler
OFce	Oil Filter (compressor element)
OFe	Oil Filter (engine)
OLG	Oil Level Gauge
R	Radiator

Reference	Name
RPS	Regulating Pressure Sensor
RS	Road Signalisation
RV	Regulating Valve
S	Starting Motor
SN	Serial Number
SV	Safety Valve
TB	Towbar
WPS	Working Pressure Sensor

Reference	Name
OS	Oil Separator
OSV	Oil Stop Valve
PS	Pressure Sensor
RPS	Regulating Pressure Sensor
RV	Regulating Valve
SC	Safety Cartridge
SL	Scavenge Line
SV	Safety Valve
TBV	Thermostatic Bypass Valve
TS	Temperature Sensor
TV	Throttle Valve
UA	Unloader Assembly
VH	Vent hole
VV	Vacuator Valve
WPG	Working Pressure Gauge
WPS	Working Pressure Sensor

AIR FLOW

Air drawn through the airfilter (AFce) into the compressor element (CElp CEhp) is compressed. At the element outlet, compressed air and oil pass into the air receiver/oil separator (AR/OS).

The check valve (CV) prevents blow-back of compressed air when the compressor is stopped. In the air receiver/oil separator (AR/OS), most of the oil is removed from the air/oil mixture.

The oil collects in the receiver and on the bottom of the separator element.

The air leaves the receiver via a minimum pressure valve (MPV) which prevents the receiver pressure from dropping below the minimum working pressure, even when the air outlet valves are open (specified in section **Limitations**). This ensures adequate oil injection and prevents oil consumption. The minimum pressure valve (MPV) also functions as a check valve.

The system comprises temperature sensors (TS), pressure sensors (PS) and a working pressure sensor (WPS).

OIL SYSTEM

The lower part of the air receiver (AR) serves as oil tank.

Air pressure forces the oil from the air receiver/oil separator (AR/OS) through the oil cooler (OC), the oil filters (OF) and the oil stop valve (OSV) to the compressor element (CElp CEhp).

When the compressor is stopped and / or there is no pressure in the system, the oil stop valve (OSV) prevents the oil from flowing back into the compressor element.

The thermostatic by-pass valve (TBV) starts opening when the oil temperature is 80°C (176°F) (when no Oiltronix is installed). With installed Oiltronix, the thermostatic by-pass valve starts opening when the oil temperature is 40°C (104°F).

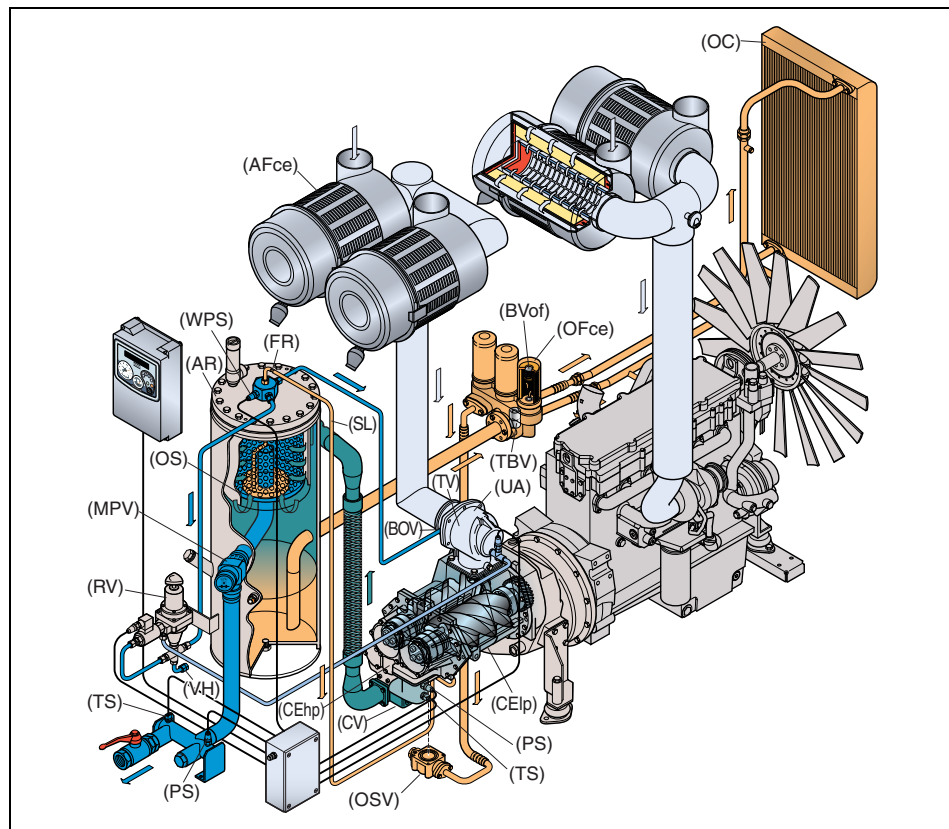
The compressor element has an oil gallery in the bottom of its casing. The oil for rotor lubrication, cooling and sealing is injected through holes in the gallery.

Lubrication of the bearings is ensured by oil injected into the bearing housings.

The injected oil, mixed with the compressed air, leaves the compressor element and re-enters the air receiver, where it is separated from the air as described in section **Air flow**. The oil that collects in the bottom of the oil separator element is returned to the system through a scavenging line (SL), which is provided with a flow restrictor (FR).

The oil filter by-pass valve opens when the pressure drop over the filter is above normal because of a clogged filter. The oil then by-passes the filter without being filtered. For this reason, the oil filter must be replaced at regular intervals (see section **Maintenance schedule compressor**).

CONTINUOUS PNEUMATIC REGULATING SYSTEM



The compressor is provided with a continuous pneumatic regulating system and a blow-off valve (BOV) which is integrated in the unloader assembly (UA). The valve is closed during operation by outlet pressure of the compressor element and opens by air receiver pressure when the compressor is stopped.

When the air consumption increases, the air receiver pressure will decrease and vice versa. This receiver pressure variation is sensed by the regulating valve (RV) which, by means of control air to the unloader assembly (UA), matches the air output to the air consumption. The air receiver pressure is maintained between the pre-selected working pressure and the corresponding unloading pressure.

When starting the compressor, the throttle valve (TV) is kept closed via receiver pressure. The compressor element (CElp CEhp) takes in air and pressure builds up in the receiver (AR). The throttle valve (TV) is closed. The air output is controlled from maximum output (100%) to no output (0%) by:

1. Speed control of the engine between maximum load speed and unloading speed (the output of a screw compressor is proportional to the rotating speed).
2. Air inlet throttling.

If the air consumption is equal to or exceeds the maximum air output, the engine speed is held at maximum load speed and the throttle valve (TV) is fully open.

If the air consumption is less than the maximum air output, air receiver pressure increases and the regulating valve supplies control air to throttle valve (TV) to reduce the air output and holds air receiver pressure between the normal working pressure and the corresponding unloading pressure. Unloading pressure = normal working pressure + 1 bar (14.5 psi).

When the air consumption is resumed, the blow off valve (BOV) closes and the throttle valve (TV) gradually opens the air intake and the electronic speed regulator increases the engine speed.

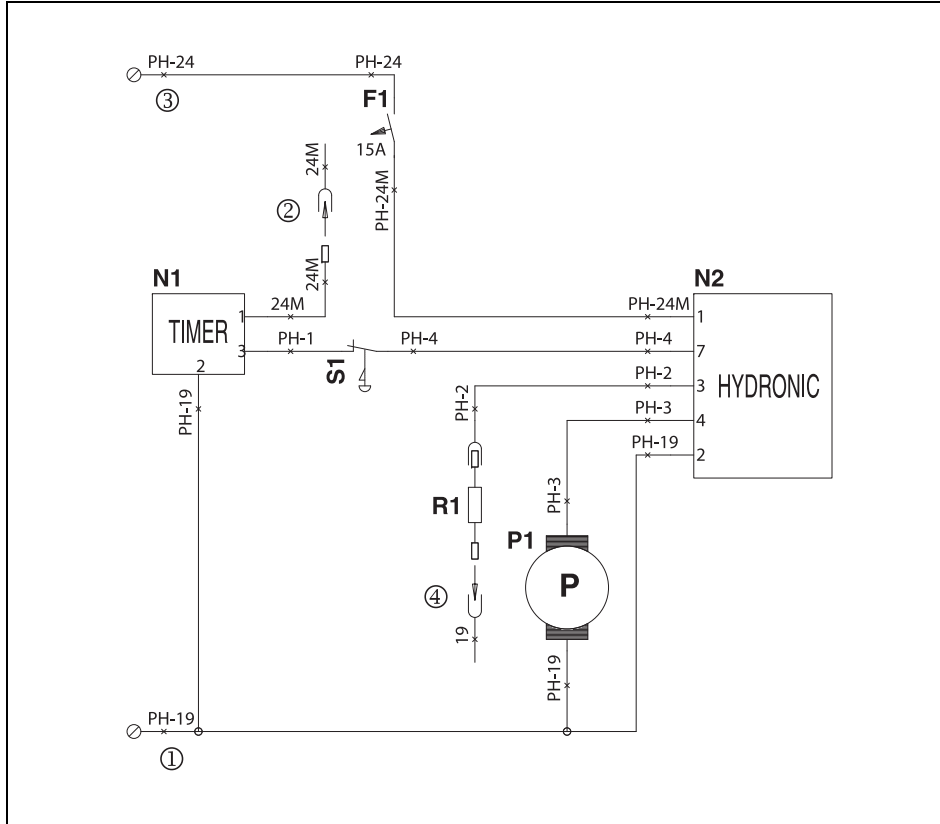
The construction of the regulating valve (RV) is such that any increase (decrease) of the air receiver pressure above the pre-set valve opening pressure results in a proportional increase (decrease) of the control pressure to the throttle valve and the electronic speed regulator.

Part of the control air is vented to atmosphere, and any condensate discharged, through the vent holes (VH).

Reference	Name
C1	Spare I/O (female contacts)
F1	Fuse 15A
G1	Battery
G2	Battery
G3	Alternator
H4-5	Warning flasher light
H6	Horn
K0	Relay, Starter motor
K1	Relay, Aux. starter
LS1	Level Switch, Coolant level Warning
LS2	Level Switch, Coolant level Shutdown
LT1	Level sensor, Fuel level
M1	Starter motor
N1	Compressor Control Module
N2	Engine Control Module (Caterpillar)
PS1	Pressure Switch, Airfilter
PT1	Pressure sensor, Vessel pressure
PT2	Pressure sensor, Regulating Pressure
PT3	Pressure sensor, Interstage pressure
R1	Termination resistor
S1	Emergency Stop
S2	Battery switch

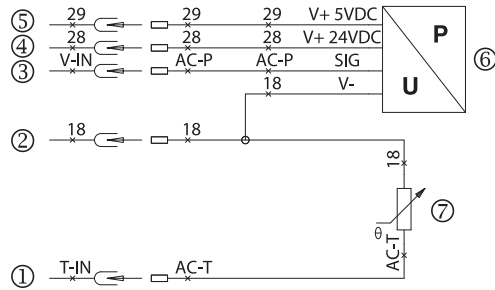
Reference	Name
TT1	Temperature sensor, PT1000, LP Element temperature
TT2	Temperature sensor, PT1000, HP element temperature
TT3	Temperature sensor, PT1000, Ambient temperature
X1	Caterpillar service tool connection
Y1	Loading Valve
1	24 VDC (power supply box) for Spare I/O's and options
2	Fused 24 VDC after Emergency Stop for Spare I/O's and options
3	Fused 24 VDC for Spare I/O's and options
4	Power After Contact for Spare I/O's and options
5	5 VDC for Spare I/O's and options
6	Digital Ground for Spare I/O's and options
7	Ground for Spare I/O's and options
8	Ground (power supply box) for Spare I/O's and options

Eberspacher preheater



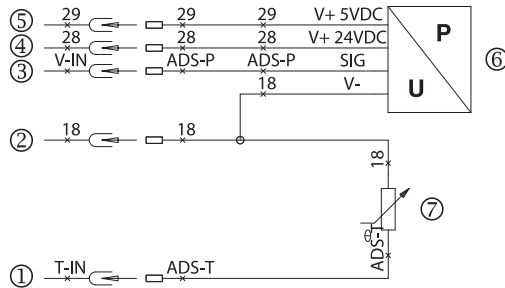
Reference	Name
F1	Fuse 15A
R1	Resistor 470 Ohm 3W
N1	Eberspacher timer
N2	Eberspacher
P1	Fuel pump
S1	Emergency Stop
1	Connect to GND in power supply box
2	Connect to 24M in cubicle
3	Connect to 24 VDC in power supply box
4	Connect to 19 in cubicle

Aftercooler sensors



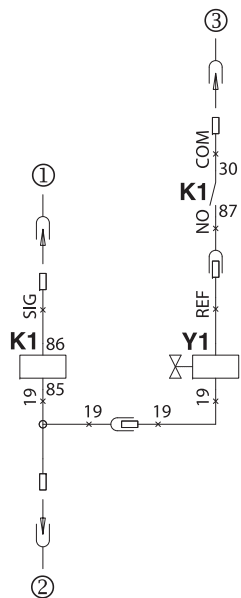
Reference	Name
1	Connect to temperature input in cubicle default: T-IN 06
2	Connect to 18 in cubicle
3	Connect to voltage input in cubicle default: V-IN 06
4	Connect to 28 in cubicle
5	Connect to 29 in cubicle
6	Aftercooler Air Discharge Pressure Sensor
7	Aftercooler Air Discharge Temperature Sensor

Air discharge sensors



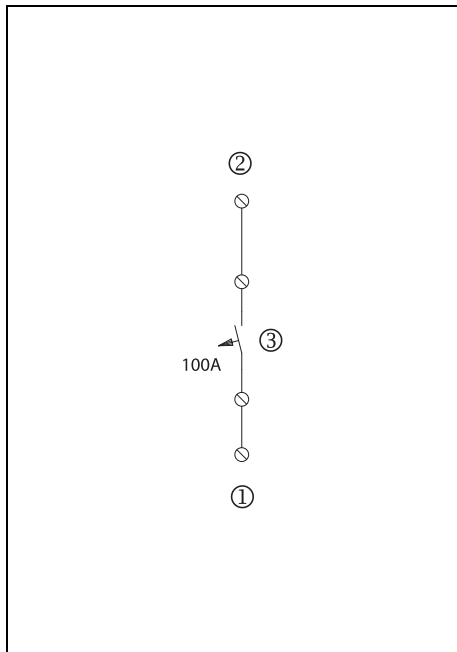
Reference	Name
1	Connect to temperature input in cubicle default: T-IN 01
2	Connect to 18 in cubicle
3	Connect to voltage input in cubicle default: V-IN 04
4	Connect to 28 in cubicle
5	Connect to 29 in cubicle
6	Air Discharge Pressure Sensor
7	Air Discharge Temperature Sensor

Refinery equipment



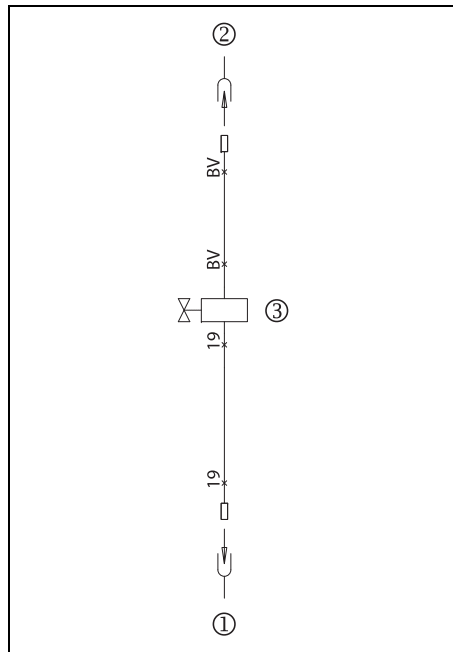
Reference	Name
K1	Relay kit 1604 3672 01
Y1	Air Shut-off Valve
1	Connect to digital high output in cubicle default: H-OUT 10
2	Connect to 19 in cubicle
3	Connect to 24M in cubicle

Coldstart



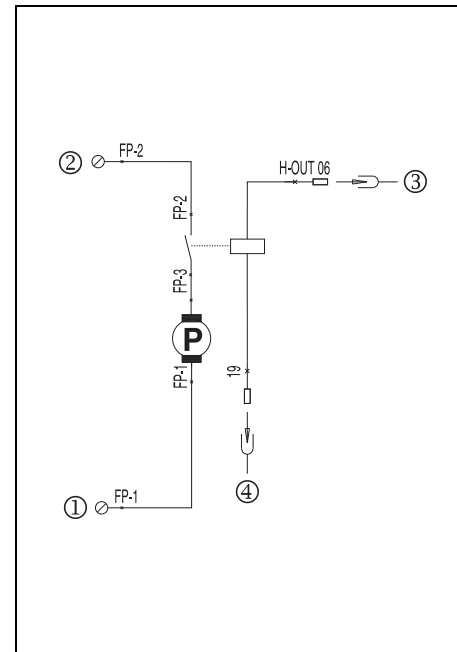
Reference	Name
1	Connect to relay on engine
2	Connect to 24 VDC in power supply box
3	Fuse

Bleeder valve


















Reference	Name
1	Connect to digital high output in cubicle default: H-OUT 07
2	Connect to 19 in cubicle
3	Bleeder Valve












Electrical fuel pump












Reference	Name
1	Connect to 19 in cubicle
2	Connect to 24 in cubicle
3	Connect to H-OUT 08 in spare I/O box
4	Connect to 19 in spare I/O box

MARKINGS AND INFORMATION LABELS

	Dangerous outlet gases.
	Danger, hot surface.
	Electrocution hazard.
 PAROIL S	Atlas Copco synthetic compressor oil.
 PAROIL SAE 15W40	Atlas Copco mineral engine oil.
	Manual.
  	Read the instruction manual before working on the battery.
 	Reset fuse.
	On / off button.
	Prohibition to open air valves without connected hoses.
	Rotation direction.
	Inlet.

	Outlet.
	Compressor oil drain.
	Read the instruction manual before starting.
	Service every 24 hours.
	Warning! Part under pressure.
	Do not stand on outlet valves.
	Start-Stop indication of switch.
	Do not run the compressor with open doors.
	Lifting permitted.
 diesel	Use diesel fuel only.
5.5 bar (80 psi)	Tyre pressure.
	Sound power level in accordance with Directive 2000/14/EC (expressed in dB (A)).

	Fork lifting permitted.
	Don't lift here.
	Read the instruction manual before lifting.
	Filler cap coolant.
	Read the instruction manual before topping up with coolant.
	Service point.
	Circuit breaker.
	Do not run the compressor when the baffles are not in the right position.
	ABS braking system, emergency relay valve. See section ABS braking system .

Operating instructions

PARKING, TOWING AND LIFTING INSTRUCTIONS

Safety precautions



The operator is expected to apply all relevant Safety precautions.

Attention



Before putting the compressor in to use, check the brake system as described in section Brake shoe adjustment (no ABS).

After the first 100 km travel:

Check and retighten the wheel nuts and towbar bolts to the specified torque. See section Torque values.

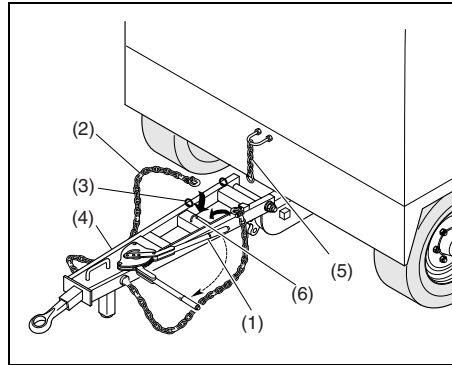
Check the brake adjustment. See section Brake shoe adjustment (no ABS).



When towing, lifting or transporting the compressor in any way, the battery switch must always be in the “OFF” position!

Also switch off the preheater as this unit is directly connected to the batteries.

PARKING INSTRUCTIONS WAGON



Uncouple vehicle. At compressors equipped with ABS brakes the brakes will be activated.

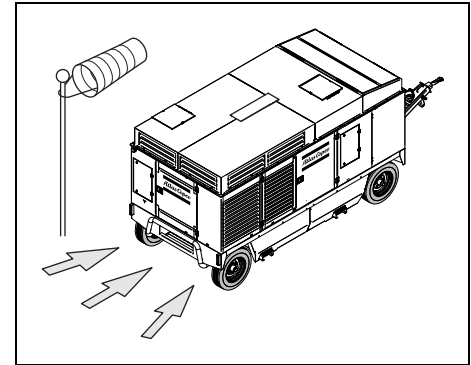


It is not allowed to leave ABS-equipped compressors parked for a long period with pressure engaged brakes only. Also use the parking brake.

Apply parking brake by moving the lever (1) in the direction of the arrow.

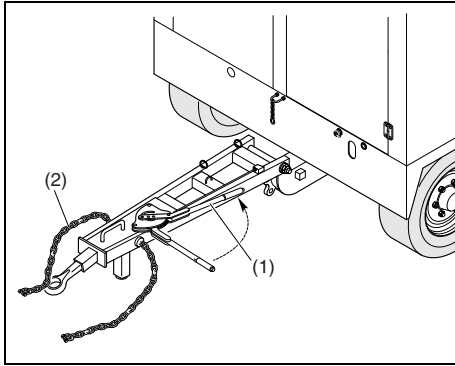
Connect the safety chain (2) to the eyes (3) on the towbar (4). You can move the towbar (4) upwards and secure it by connecting the chain (5) to the eye (6).

Place the compressor as level as possible; however, it can be operated temporarily in an out-of-level position not exceeding 15°. If the compressor is parked on sloping ground, immobilize the compressor by placing wheel chocks (available as option) in front of or behind the wheels.



Locate the rear-end of the compressor upwind, away from contaminated wind-streams and walls. Do not obstruct air evacuation from the cooling system. Avoid recirculation of exhaust air from the engine. This can cause overheating and engine power decrease.

TOWING INSTRUCTIONS WAGON

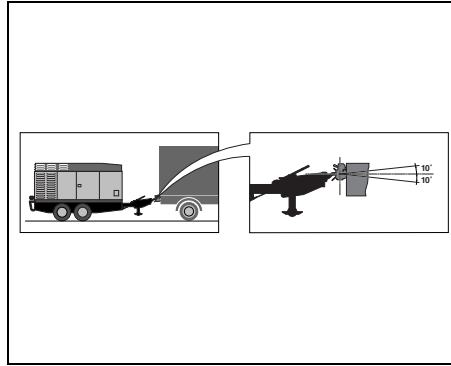


! Before towing the compressor, ensure that the towing equipment of the vehicle matches the towing eye. The height of the towing device of the vehicle must be 815 - 845 mm (31.8 - 33 in).

1. Attach the compressor to the towing vehicle.
2. Connect the brake pressure lines (when equipped with ABS).
3. Move hand brake lever (1) in the direction of the arrow till stop and connect the breakaway chain (2) to the towing vehicle.

Never move the compressor with air hoses connected to the air outlet valves.

! Before moving the compressor, switch it off.

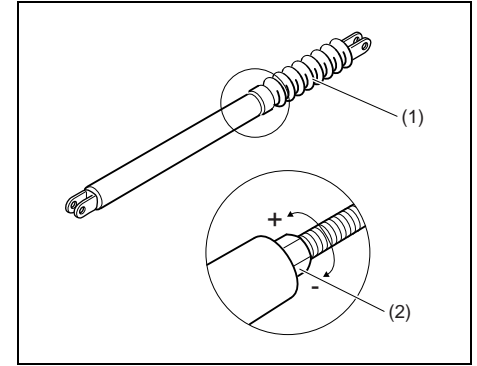


When equipped with ABS:

- Before moving the unit without connecting the brake pressure lines, pressure has to be released from the ABS brake system by pushing button (3).
- If the ABS vessel is under pressure it is possible to put pressure back on the brakes by pulling button (3).

! When towing a compressor equipped with tandem axles, take care that the angle between compressor and towing vehicle does not exceed 10° (see picture)

TOWBAR LEVELLING WAGON

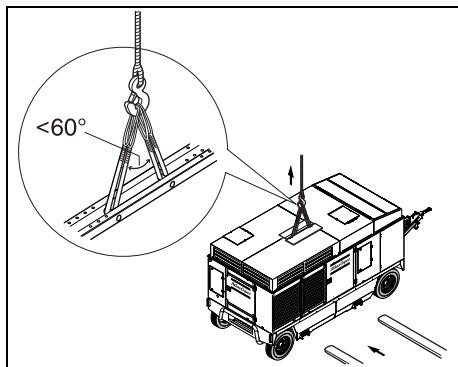


The towbar of the wagon is equipped with an adjustable spring loaded levelling device.

To adjust:

1. Slide back the rubber bellows (1).
2. Turn the nut (2) clockwise to increase the spring load for lifting the towbar; turn the nut (2) counter clockwise to decrease the spring load for lowering the towbar.
3. Slide the bellows (1) over the nut.

LIFTING INSTRUCTIONS



To lift the compressor, use a lift truck or crane with sufficient capacity (weight: see indication on **Dataplate**).

See to it that the compressor will be lifted vertically and remains level.



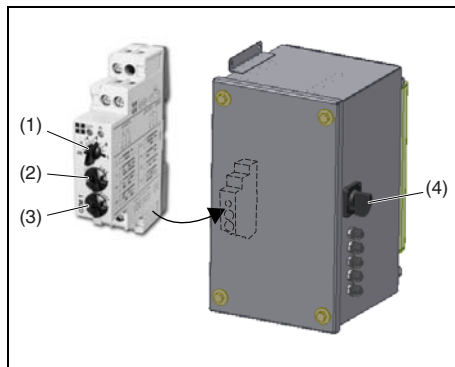
Lifting acceleration and retardation must be kept within safe limits (max. 2xg).

Helicopter lifting is not allowed.

Lifting is not allowed when the unit is running.

When hoisting, the apex angle of the hoisting sling is not to exceed a maximum of 60° .

INTERNAL LIGHTING



The internal lighting circuit is equipped with a timer. When the internal lighting is switched on with switch (4), the timer is started. After a preset time the internal light will be switched off automatically.

The timer is set by choosing a range with button (2) (default: 1 h) and setting a factor with button (1) (default: 0.2). This results in a lighting time of 12 minutes.



Do not change the setting of button (3).

PREHEATER (OPTION)



Before performing any maintenance jobs always switch off the preheater and remove the fuse or disconnect the heater from the battery.



Please be aware that the preheater unit is still "live" with the battery switch in "OFF" position.

DESCRIPTION HEATING OPERATION

When switched on the signal lamp in the mini-clock control element is lit. The waterpump starts and after a fixed programme with prerinsing and preheating, combustion air fan, glow plug and fuel dosing pump set combustion going. Once a stable flame has formed, the glow plug is switched off by a timer.

Depending on the heat requirement, the heater will switch between three levels, **LARGE**, **SMALL** and **OFF** (control interval). The temperature thresholds have been fixed programmed in the electronic control device. If the heat requirement at level **SMALL** is so low that the cooling water temperature reaches 85°C (185°F), the device goes into control interval. This is followed by the fan continuing to run for about 130 sec. The signal lamp will stay lit during the control interval and also the waterpump continues to run.

If the heater does not ignite within 90 seconds after fuel pumping has started, the start procedure must be repeated. If the heater once again fails to ignite after 90 seconds a fault shut down is effected.

It is possible to override a fault shut-down by briefly switching the heater off and then on again.



Do not repeat this more than twice in succession!

When an emergency stop has to be performed:

- Switch off the preheater at the control element
- Remove the fuse or disconnect the heater from the battery

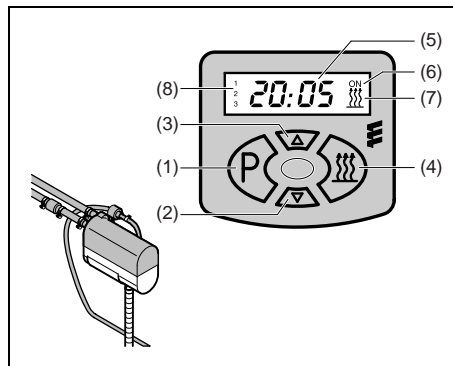
Safety procedure before starting after a longer period of standstill

- Check whether the fuse is in its place and / or the wiring is connected to the battery.
- Check if all parts are firmly fixed.
- Check the fuel system visually on leaks.

Preheater altitude capability

- Up to 1,500 meters:
no restrictions
- Above 1,500 meters:
Operation possible for short periods
Continuous operation NOT possible

OPERATIONS OVERVIEW



Reference	Name
1	Button Mode
2	Button Time down
3	Button Time up
4	Button ON/OFF select pre-set time
5	Time, pre-set time and heating time
6	Symbol pre-set time is active
7	Symbol heating ON
8	Symbol pre-set time 1,2 or 3

General

- When no button is pressed the display will return to its default mode - normal time display.
- When setting the time, holding the buttons (2) or (3) pressed, the time will change more rapidly.
- With this mini-clock you can set and activate three pre-set times. Each pre-set time is deactivated after the set heating period has ended. It has to be activated again for each new heating action.

Settings

Commissioning

- After connecting the power all symbols in the display will blink. Now the actual time has to be set before the heater can be operated.
- Press button (1); time blinks. Set time with buttons (2) or (3).
- Press button (1); time is displayed, colon blinks.

Setting the time

- Press button (1) longer then 3 sec.; time blinks. Set with buttons (2) or (3). Briefly press button (1); time is displayed, colon blinks.



If you do not press the button within 5 seconds the mode is changed to "setting heating period".

Setting heating period

- Press button (1) longer then 3 sec.; time blinks. Wait till the display indicates "setting heating period"; heating symbol and time blink. Set heating period (10 to 120 min) using button (2) or (3). Press button (1); time is displayed, colon blinks.

Setting pre-settings

- By pressing button (1) once, twice or three times you will select pre-set time 1, 2 or 3.
- The display shows e.g. pre-set time 1 and symbol 1. Set the pre-set period with buttons (2) or (3).
- With button (4) you can activate or deactivate the pre-set period. When activated the symbol "ON" appears and the symbol "1, 2 or 3".

Operation



The preheating time at -25°C is about 90 minutes.

Switching ON the heater

- Press button (4). The heating period lasts ..minutes. The display shows: remaining heating time and symbol 7.

Switching OFF the heater

- Press button (4). The heater will run idle for about 3 minutes. The display shows: actual time.

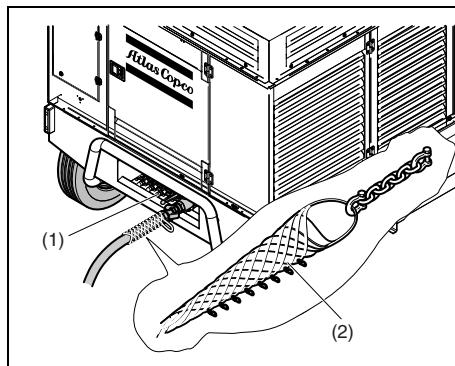
Continuous operation

- Press and hold button (3), then press button (4); now the heater will be operating till button (4) (heater off) is pressed.

Activating/ deactivating pre-set time

- Select pre-set time 1, 2 or 3 by pressing button (1).
- Activate the selected time by pressing button (4).
- The display shows: symbol "ON" as well as the selected pre-set time, "1, 2 or 3".

BEFORE STARTING



1. Before initial start-up, prepare battery for operation if not already done. See section **Recharging a battery**.
2. Check that the draining caps in the spillage-free frame are firmly tightened.
3. With the compressor standing level, check the level of the engine oil. Add oil, if necessary, to the upper mark on dipstick. Also check the engine coolant level. Consult the Engine Operation Manual for the type of coolant and type and viscosity grade of the engine oil.

4. Remove the air receiver drain plug (1), see figure, and open the valve to drain possible condensate. Close the valve when oil comes out and reinstall the drain plug. The interval between draining operations may be determined by experience, as the amount of condensate depends on the operating condition.



Before draining, ensure that the pressure is released.

5. Check the level of the compressor oil. See section **Check compressor oil level**. The pointer of oil level gauge (OLG) should register in the green range. Add oil if necessary. See section **Compressor oil** for the oil to be used.



Before removing oil filler plug (FP), ensure that the pressure is released by opening an air outlet valve.

6. Check that the fuel tank contains sufficient fuel. Top up, if necessary. Consult the Engine Operation Manual for the type of fuel.
7. Drain any water and sediment from the fuel filters until clean fuel flows from the drain cock.
8. Empty the dust trap of each air filter (AF). See section **Replacing the filter element and the safety cartridge**.

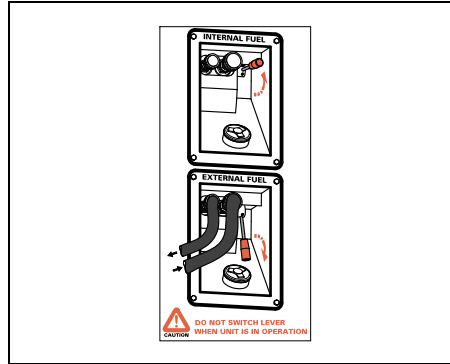
9. Clogged air filter(s) will be indicated on the display of the control panel, see section **Fault codes**. If indicated, replace the filter elements.
10. Check coolant level in engine coolant top tank integrated in radiator. Top up, if necessary. Consult the Engine Operation Manual for coolant specifications.
11. Check that the battery switch is “ON”. The battery switch may only be switched off after the control unit has been switched off.
12. Attach the air line(s) to the closed air outlet valve(s).
13. Use hoses with suitable pressure rating and fit for the environmental conditions. Always install the pull relief (2), see figure. Inspect hoses and connections daily.



No external force may be applied to the air outlet valve(s), e.g. by pulling hoses or by connecting equipment directly to the valve(s).



Do not switch the fuel selecting lever when the unit is in operation!



14. Select fuel supply mode.

- Internal supply.
Move the lever of the fuel selection supply valve upwards.
- External supply.
Connect the supply and return hose to the fuel nipples at the fuel funnel. Move the lever of the fuel selection supply valve downwards.

STARTING / STOPPING

Safety precautions



Do not disconnect power supply to control box in any way when the control box is switched on. This will cause memory loss.

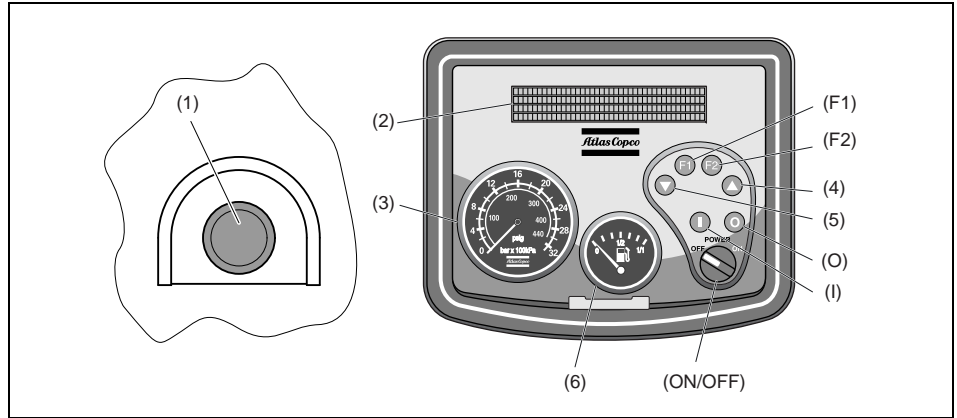
Do not switch off the circuit breaker when the control box is switched on. This will cause memory loss.

Make sure the fuel tank is filled up when "INTERNAL FUEL" is selected.



When the compressor is put in operation for the first time and after running out of fuel or changing the fuel filter, follow the specific start procedure as described in section Specific start procedure.

CONTROL PANEL



Reference	Name
1	Emergency stop
2	Display (4 rows, 40 characters / row)
3	Pressure gauge
4	Arrow Up button
5	Arrow Down button
6	Fuel level gauge
F1	F1 Function button
F2	F2 Function button
O	Stop button
I	Start button
ON/OFF	Power ON/OFF switch

OPERATIONS OVERVIEW

It is possible to control the compressor locally with the Control Box, remotely with the remote switch inputs located on the back of the Control Box, or with software running on a PC with a CAN interface (PC Control Mode).

The way one ends up in each status can differ from how the Control Box is controlled, but the function of each status stays the same.

When reading this document, mind the difference between a status and a procedure. A status is a state in the Control Box's operation. A procedure is an action executed by the Control Box.

Example: The Stopping procedure is executed in the Stopping status, the Start Failure status and the Shutdown status.

During operation



When the engine is running, the air outlet valves (ball valves) must always be put in a fully opened or fully closed position.



The doors must be closed during operation and may be opened for short periods for inspection and adjustments only.

Regularly carry out following checks:

1. That the regulating valve (RV) is correctly adjusted, i.e. starts decreasing the engine speed when reaching the preset working pressure in the receiver.
2. Check the air outlet temperature of the compressor element.
3. Check the engine oil pressure, the coolant temperature and display of control box.
4. Avoid the engine running out of fuel. Nevertheless, if this happens, fill the fuel tank and prime the fuel system to speed up starting (see section **Specific start procedure**).

BATTERY SWITCH

The compressor is equipped with a battery switch.

When the compressor is not in use this switch must always be in the "OFF" position.

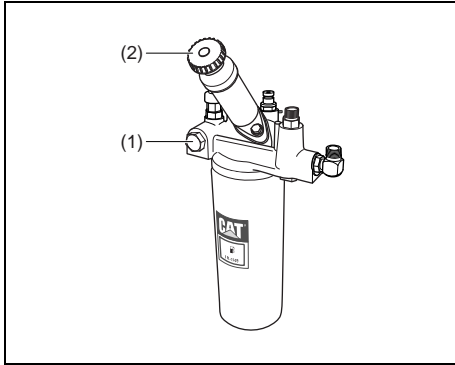
It is not allowed to use this switch as an emergency switch or for stopping the compressor. It will cause damage in the control unit when using this switch for stopping.

Always first shut off the control unit and wait until the display is dark before switching the battery switch to position "OFF".



Please be aware that the (optional) preheater unit is still "live" with the battery switch in "OFF" position.

SPECIFIC START PROCEDURE



After cleaning /draining the fuel tanks, the system is filled with air.

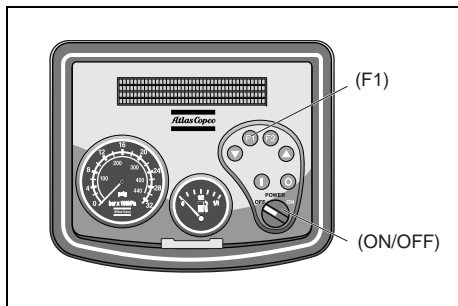
Before starting the engine operate the fuel pump on the fuel filter to fill the fuel system. Loosen the vent screw (1) on the fuel filter. Operate the hand pump (2) at the filter until fuel comes out of the bore for the vent screw, and air is completely removed from the fuel system. Fasten the vent screw (1).

When under pressure the engine will start after approximately 10 seconds. If the system is not under pressure, it will take a few minutes until the engine will start.

Follow this start procedure when the compressor is put in operation for the first time and after running out of fuel or changing the fuel filter.

- Loosen the vent screw (1) on the fuel filter.
- Operate the hand pump (2) at the filter until fuel comes out of the bore for the vent screw, and air is completely removed from the fuel system.
- Fasten the vent screw (1).
- Switch the "ON/OFF" switch to position "ON". The instrument panel will now perform a brief selftest.
- Push the start button and the starter motor will automatically try to start the engine.

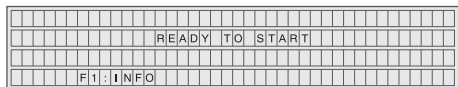
POWER ON / OFF



Switch on the battery switch.

Switch the machine on by switching the “ON/OFF” switch to the position “ON”. The instrument panel will now perform a brief selftest.

The display will show:

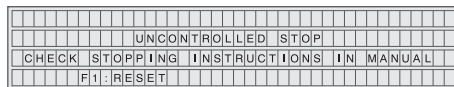


By pressing the button “F1”, the user goes to the INFO status.

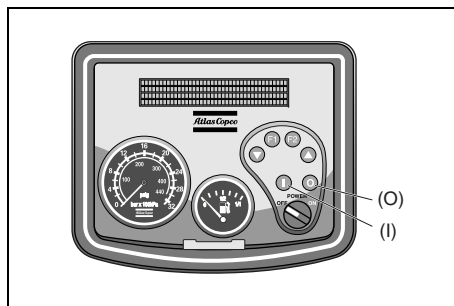


Do not disconnect power supply during operation.

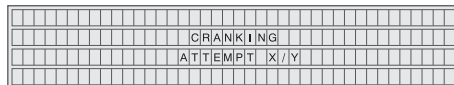
When disconnecting power supply during operation the user will be prompted to this by the next display.



STARTING



Press the button “I”. During the starting procedure the display will show:



The system will automatically make 1 attempt to start the engine. The attempt will be indicated on the display as: '1/1'.



To cool down the starting motor, the system will wait 1 minute before the next attempt can be made, meanwhile do not leave the compressor.

If the engine failed to start the display will show the cause of the failure:



When the stopping procedure has ended, the time message disappears and the F1 function appears (Reset). The display will show:



FAULT CODES

There are several parameters that are continuously watched.

When one of these parameters exceeds its specified limit the compressor will react depending the present status of the control box.

The message displayed can be a warning, a shut down or a start failure.

Display text	Warning	Shutdown	Start Failure
FUEL LEVEL SENSOR FAILURE	X	X	X
VESSEL PRESSURE SENSOR FAILURE	X	X	X
REGULATING PRESSURE SENSOR FAILURE	X	X	X
LP ELEMENT TEMPERATURE SENSOR FAILURE	X	X	X
HP ELEMENT TEMPERATURE SENSOR FAILURE	X	X	X
LOADING VALVE FAILURE	X	X	X
CAN J1939 COMMUNICATION FAILURE	X	X	X
STARTER RELAY FAILURE	X		X
ENGINE NOT RESPONDING	X	X	
STARTER MOTOR BURNING DANGER	X		X
ENGINE OVERSPEED PROTECTION	X	X	
AMBIENT TEMPERATURE SENSOR FAILURE	X		
INTERSTAGE PRESSURE SENSOR FAILURE	X		
FLASH LIGHTS FAILURE	X		
HORN FAILURE	X		
OPERATING ON DEFAULT PARAMETERS	X		
FUEL LEVEL TOO LOW	X	X	X
LP ELEMENT TEMPERATURE TOO HIGH	X	X	X
HP ELEMENT TEMPERATURE TOO HIGH	X	X	X
COOLANT LEVEL TOO LOW	X	X	X
VESSEL PRESSURE TOO HIGH TO START	X		X
VESSEL PRESSURE TOO LOW TO LOAD	X		
VESSEL PRESSURE TOO HIGH	X	X	
FUEL LEVEL LOW	X		
LP ELEMENT TEMPERATURE HIGH	X		
HP ELEMENT TEMPERATURE HIGH	X		
COOLANT LEVEL LOW	X		

Display text	Warning	Shutdown	Start Failure
BATTERY VOLTAGE LOW	X		
BATTERY NOT CHARGING	X		
CHECK AIRFILTERS	X		
AMBIENT TEMPERATURE HIGH	X		
ENGINE COOLANT TEMP. SENSOR FAILURE	X	X	X
ENGINE OIL PRESSURE SENSOR FAILURE	X	X	X
ENGINE FUEL PRESSURE SENSOR FAILURE	X	X	X
ENGINE FUEL TEMPERATURE SENSOR FAILURE	X	X	X
ENGINE FUEL TEMPERATURE TOO HIGH	X	X	X
ENGINE FUEL PRESSURE TOO LOW	X	X	X
ENGINE COOLANT TEMPERATURE TOO HIGH	X	X	X
ENGINE INJECTOR X FAILURE	X	X	X
ENGINE ADM MODULE FAILURE	X	X	X
ENGINE OIL PRESSURE TOO LOW	X	X	
ENGINE OIL TEMPERATURE SENSOR FAILURE	X		
ENGINE AIR INLET TEMP. SENSOR FAILURE	X		
ENGINE AIR INLET TEMPERATURE HIGH	X		
ENGINE TURBO BOOST PRESS. SENSOR FAILURE	X		
ENGINE TURBO BOOST PRESSURE HIGH	X		
Options			
COLDSTART RELAY FAILURE	X		
AFTERCOOLER AIR DISCHARGE TEMP HIGH	X		
AMBIENT TEMP TOO COLD FOR AFTERCOOLER	X		
AFTERCOOLER AIR DISCHARGE TEMP TOO HIGH	X	X	
AFTERCOOLER AIR DISCH PRESS SENSOR FAIL	X		
AFTERCOOLER AIR DISCH TEMP SENSOR FAIL	X		
AIR SHUT-OFF VALVE RELAY FAILURE	X		
BLOW-OFF VALVE FAILURE	X		
AIR DISCHARGE TEMPERATURE HIGH	X		
AIR DISCHARGE TEMPERATURE TOO HIGH	X	X	
AIR DISCHARGE TEMPERATURE SENSOR FAILURE	X		
AIR DISCHARGE PRESSURE SENSOR FAILURE	X		

When the compressor is shut down because of exceeding a parameter setting (e.g. compressor temperature) the display shows:



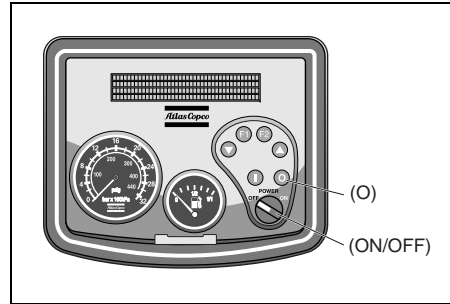
and then:



After the stopping procedure has ended press F1 to continue.

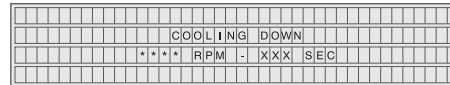
Restarting before the parameter is within its limits is impossible because of the parameter check before the cranking procedure.

STOPPING



To turn off the compressor first press the button "0". The engine will run some time at min. speed to cool down and will stop finally.

The remaining time is shown in the display:



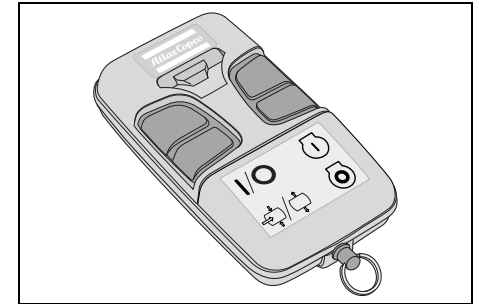
Meanwhile the air receiver is depressurised.

Switch the "ON/OFF" switch to the position "OFF".

Wait until the display is dark.

Switch the battery switch in the "OFF" position.

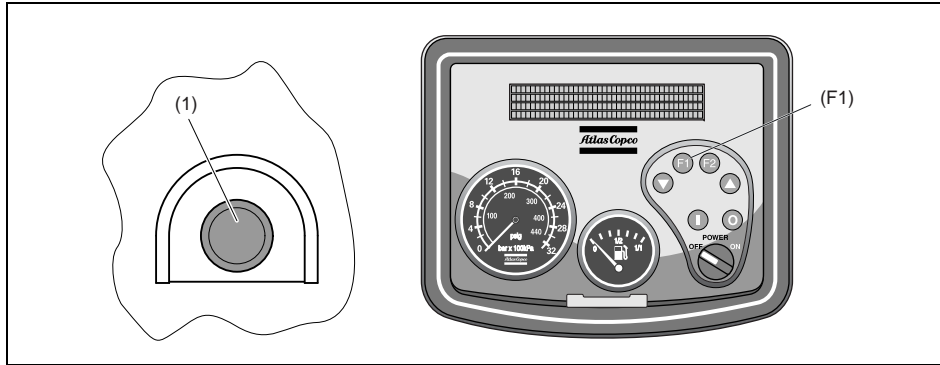
STARTING/STOPPING VIA REMOTE CONTROL



Always use the remote control function in accordance to local/work area legislation.

	1 Start Engine
	2 Stop Engine
	3 Load/unload compressor

EMERGENCY STOP



The emergency stop button is only to be used in emergency situations; not for stopping procedures.

When an emergency stop button (1) is pressed, power to all outputs is terminated, by the emergency stop itself (hardware) as well as by the software.

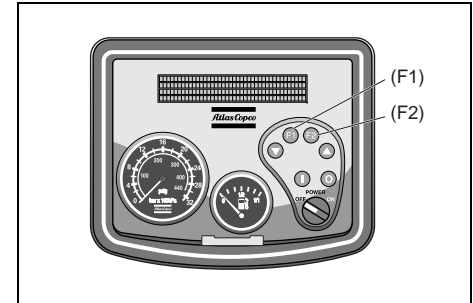
The display will show:

EMERGENCY STOP															
UNLOCK EMERGENCY STOP TO PROCEED															

When the emergency stop button (1) is unlocked the operator can reset the emergency stop by pressing the button "F1".

EMERGENCY STOP															
F1:RESET															

INFO



In the Info status, the user gets information about the Compressor configuration and starting environment:

↑	COMPRESSOR	TYPE													X	X	X	X	X	X
	CONTROL	MODE																		LOCAL
↓	BATTERY	VOLTAGE													2	4	.	0	VDC	
		F1:OPTIONS													F2:EXIT					

Following topics are displayed in the Options status as an endless list. (scrolling down at the last topic displays the first, scrolling up at the first topic displays the last).

Text in capitals is the text that appears on the display. (max 19 characters).

ELECTRIC REFUEL PUMP (OPTION)



The electric fuel pump may only be used when the compressor is not running.

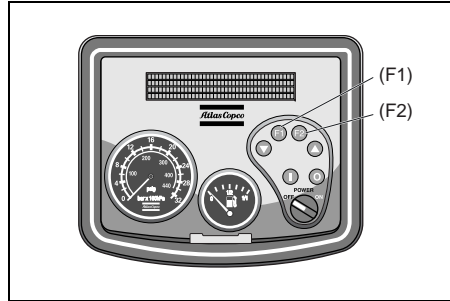
The fuel pump can be activated in the options status.

When “FUEL PUMP” is selected a second menu allows the user to activate (“ON”) or deactivate (“OFF”) the fuel pump.

When switched on the electric refuel pump will automatically be switched off when:

- the tank is full,
- the tank from which is being refueled is empty,
- when leaving the “FUEL PUMP” menu by selecting “EXIT” or pressing “F2:BACK”.

SERVICE TASK CONFIRMED



The following confirmation is displayed for 10 seconds, or until the “F1” button is pressed.

			S	E	R	V	I	C	E	T	A	S	K	C	O	N	F	I	R	M	E	D			
			B	A	C	K	I	N	X	X	S	E	C	O	N	D	S	O	R	P	R	E	S	F	1
			F	1	:	C	O	N	T	I	N	U	E												

When the display shows the Option status again the service task that has been confirmed is no longer displayed (because it is confirmed).

SERVICE IN ADVANCE

When “SERVICE IN ADVANCE” is selected the user enters a submenu.

If the next standard service task is due within 50 running hours, the user can choose “NEXT SERVICE TASK”.

↑	S	E	R	V	I	C	E	I	N	A	D	V	A	N	C	E	>	N	E	X	T	S	E	R	V	I	C	E	T	A	S	K
	M	A	J	O	R	O	V	E	R	H	A	U	L				X	X	X	X	X	X	X	X	X	X	X	X	X	X	X	X
↓																																
			F	1	:	S	E	L	E	C	T																					

Next to the next standard service task all active custom service tasks are always displayed.

When a service task is selected (pressing the button “F1”), this service task is triggered and confirmed.

This confirmation is also displayed.

When pressing the button “F2”, “EXIT”, the user goes straight to “READY TO START”.

Maintenance

LIABILITY

The manufacturer does not accept any liability for any damage arising from the use of non-original parts and for modifications, additions or conversions made without the manufacturer's approval in writing.

SERVICE PAKS

A Service Pak is a collection of parts to be used for a specific maintenance task, e.g. after 50, after 500 and after 1000 running hours.

It guarantees that all necessary parts are replaced at the same time keeping down time to a minimum.

The order number of the Service Paks are listed in the Atlas Copco Parts List (ASL).

Use of service paks

Service Paks include all genuine parts needed for normal maintenance of both compressor and engine.

Service Paks minimize downtime and keep your maintenance budget low.

Order Service Paks at your local Atlas Copco dealer.

SERVICE KITS

A service kit is a collection of parts to fit a specific repair or rebuilding task.

It guarantees that all necessary parts are replaced at the same time which improves the uptime of the unit.

The order numbers of the Service Kits are listed in the Atlas Copco Parts List (ASL).



Contact Atlas Copco.

STORAGE

Run the compressor regularly, e.g. twice a week, until warm.

Load and unload the compressor a few times to operate the unloading and regulating components. Close the air outlet valves after stopping.



If the compressor is going to be stored without running from time to time, protective measures must be taken.

SAFETY PRECAUTIONS



Before performing any maintenance jobs always put the battery switch in the "OFF" position. See section Battery switch.

Always observe the applicable safety precautions. See section Safety during maintenance and repair.

Please note that when the battery switch is off there can still be some parts live!



Unauthorised modifications can lead to risk for injury or machine damage.



Always keep the machine tidy in order to prevent fire hazard.



Poor maintenance can void any warranty claims.

PREVENTIVE MAINTENANCE SCHEDULE

The schedule contains a summary of the maintenance instructions. Read the respective section before taking maintenance measures.

When servicing, replace all disengaged packings, e.g. gaskets, O-rings, washers.

For engine maintenance refer to Engine Operation Manual.

The maintenance schedule has to be seen as a guideline for units operating in a dusty environment typical to compressor applications. Maintenance schedule can be adapted depending on application, environment and quality of maintenance.

MAINTENANCE SCHEDULE COMPRESSOR

<i>To determine the maintenance intervals, use service hours, or calendar time, whichever occurs first.</i>								
Service hours	Daily	50 hrs after initial start-up	Every 250 hrs	Every 500 hrs	Every 750 hrs	Every 1000 hrs	Every 2000 hrs	Yearly
Service parts			2912 4432 05 PAK			2912 4432 06 PAK		
<i>For the most important subassemblies, Atlas Copco has developed service kits that combine all wear parts. These service kits offer you the benefits of genuine parts, save on administration costs and are offered at reduced price, compared to the loose components. Refer to the parts list for more information on the contents of the service kits.</i>								
Drain water from fuel filter	x							
Drain/Clean fuel tank water and sediments (1)				x		x	x	
Drain condensate and water from frame in case of spillage free frame (10)	x							

(to be continued on page 49)

Maintenance schedule (hrs) <i>(continuation of page 48)</i>	Daily	50 hrs after initial start-up	Every 250 hrs	Every 500 hrs	Every 750 hrs	Every 1000 hrs	Every 2000 hrs	Yearly
Empty air filter vacuator valves	x							
Check engine oil level (if necessary top up)	x							
Check compressor oil level (if necessary top up)	x							
Check coolant level	x							
Check/Fill fuel level (3)	x					x		x
Check functioning of regulating valve								
Check function of coolant heater (option)	x							
Check control panel	x							
Check on abnormal noise	x							
Check electrical system cables for wear	x							
Check for leaks in engine-, compressor-, air-, oil-, or fuel system		x		x		x	x	x
Check torque on critical bolt connections		x				x	x	x
Check electrolyte level and terminals of battery		x		x		x	x	x
Check engine (minimum and maximum) speed		x		x		x	x	x
Replace compressor oil filter(s) (5)		x				x	x	x
Inspect/Adjust fan belt		x	x	x	x	x	x	
Adjust engine inlet and outlet valves (2)				x		x	x	x
Hoses and clamps - Inspect/Replace			x	x	x	x	x	
Change engine oil (2) (12)			x	x	x	x	x	x

(to be continued on page 50)

Maintenance schedule (hrs) <i>(continuation of page 49)</i>	Daily	50 hrs after initial start-up	Every 250 hrs	Every 500 hrs	Every 750 hrs	Every 1000 hrs	Every 2000 hrs	Yearly
Replace engine oil filter (2)			x	x	x	x	x	x
Replace fuel (pre)filters (6)			x	x	x	x	x	x
Replace fan belt				x		x	x	
Clean flow restrictor in oil scavenge line				x		x	x	x
Grease hinges								x
Check engine protective devices				x				
Clean oil cooler(s) (1)				x		x	x	x
Clean radiator (1)				x		x	x	x
Clean intercooler (1)				x		x	x	x
Analyse coolant (4) (8)								x
Inspect starter motor				x		x	x	
Inspect turbocharger				x		x	x	
Inspect waterpump				x		x	x	
Check engine protective devices				x				
Test safety valve (9)						x	x	x
Replace bleed-off valve unloader						x	x	x
Check rubber flexibles (11)						x	x	x
Check emergency stop								x
Clean after cooler (option) (1)						x	x	x
Replace DD/PD/QD filter (option)						x	x	x
Clean oil stop valve						x	x	x
Change compressor oil (1) (7)						x	x	x
Replace oil separator element						x	x	x

(to be continued on page 51)

Maintenance schedule (hrs) <i>(continuation of page 50)</i>	Daily	50 hrs after initial start-up	Every 250 hrs	Every 500 hrs	Every 750 hrs	Every 1000 hrs	Every 2000 hrs	Yearly
Clean fuel cooler						x	x	x
Clean crankcase breather filter and check for obstructions						x	x	x
Replace air filter element (1)						x	x	x
Check external fuel connection (option)						x	x	x
Inspection by Atlas Copco service technician						x	x	x
Inspect alternator							x	x
Check/Replace safety cartridge								x

(to be continued on page 52)

Notes



1. More frequently when operating in a dusty environment.
2. Refer to engine operation manual.
3. After a day's work.
4. Yearly is only valid when using PARCOOL. Change coolant every 5 years.
5. Use Atlas Copco oil filters, with by-pass valve as specified in the parts list.
6. Gummed or clogged filters means fuel starvation and reduced engine performance.
7. See section **Oil specifications**.
8. The following part numbers can be ordered from Atlas Copco to check on inhibitors and freezing points:
 - 2913 0028 00 : refractometer
 - 2913 0029 00 : pH meter.
9. See section **Safety valve**.
10. See section **Before starting**.
11. Replace all rubber flexibles every 6 years.
For other specific engine and alternator requirements refer to specific manuals.
12. 250 hours is only valid when using PAROIL E or PAROIL E xtra.



Keep the bolts of the housing, the lifting beam, tow bar and axles securely tightened. For torque values see section Technical specifications.

Maintenance schedule (km) <i>(continuation of page 51)</i>	N/A	Daily	50 km after initial start-up	Every 500 km	Every 1000 km	Every 2000 km	Yearly
Drain ABS vessel (option)		x					
Check tyre pressure			x	x	x	x	x
Check torque of wheel nuts			x			x	x
Check coupling head		x				x	x
Check height of adjusting facility			x	x	x	x	x
Grease coupling head, tow bar bearings at the housing of the overrun brake			x			x	x
Check brake system (if installed) and adjust if necessary			x			x	x
Oil or grease brake lever and moving parts such as bolts and joints			x			x	x
Check/Adjust lateral play of wheel bearing				x		x	x
Check tyres for uneven wear						x	x
Grease sliding points on height adjusting parts						x	x
Check safety cable for damage						x	x
Check Bowden cable on height adjustable connection device for damage						x	x
Lubricate torsion bar axle trailing arm						x	x
Check hub cap for firm seating						x	x
Change wheel hub bearing grease							x
Check brake lining wear							x

OIL SPECIFICATIONS



It is strongly recommended to use Atlas Copco branded lubrication oils for both compressor and engine.



Only use synthetic compressor oil.

High-quality, mineral, hydraulic or synthesized hydrocarbon oil with rust and oxidation inhibitors anti-foam and anti-wear properties is recommended.



Never mix synthetic with mineral oil.

Remark:

When changing from mineral to synthetic oil (or the other way around), you will need to do an extra rinse:

After doing the complete change procedure to synthetic oil, run the unit for a few minutes to allow good and complete circulation of the synthetic oil.

Then drain the synthetic oil again and fill again with new synthetic oil. To set correct oil levels, proceed as in normal instruction.

The viscosity grade should correspond to the ambient temperature and ISO 3448, as follows:

Type of lubricant	Compressor	Engine
between -25°C (-13°F) and -10°C (14°F)	PAROIL S	
between -10°C (14°F) and +30°C (86°F)	PAROIL S	PAROIL E
between +30°C (86°F) and +50°C (122°F)	PAROIL S xtreme	PAROIL E

COMPRESSOR OIL

Synthetic compressor oil PAROIL S

	Liter	US gal	Order number
can	5	1.3	1630 0160 00
can	20	5.3	1630 0161 00
barrel	210	55.2	1630 0162 00
container	1000	264	1630 0163 00

Synthetic compressor oil PAROIL S xtreme

	Liter	US gal	Order number
can	20	5.3	1630 0180 00
barrel	210	55.2	1630 0181 00
container	1000	264	1630 0182 00

ENGINE OIL

PAROIL from Atlas Copco is the ONLY oil tested and approved for use in all engines built into Atlas Copco compressors and generators.

Extensive laboratory and field endurance tests on Atlas Copco equipment have proven PAROIL to match all lubrication demands in varied conditions. It meets stringent quality control specifications to ensure your equipment will run smoothly and reliably.

The quality lubricant additives in PAROIL allow for extended oil change intervals without any loss in performance or longevity.

PAROIL provides wear protection under extreme conditions. Powerful oxidation resistance, high chemical stability and rust-inhibiting additives help reduce corrosion, even within engines left idle for extended periods.

PAROIL contains high quality anti-oxidants to control deposits, sludge and contaminants that tend to build up under very high temperatures. PAROIL's detergent additives keep sludge forming particles in a fine suspension instead of allowing them to clog your filter and accumulate in the valve/rocker cover area.

PAROIL releases excess heat efficiently, whilst maintaining excellent bore-polish protection to limit oil consumption.

PAROIL has an excellent Total Base Number (TBN) retention and more alkalinity to control acid formation.

PAROIL prevents Soot build-up

PAROIL is optimized for the latest low emission EURO -3 & -2, EPA TIER II & III engines running on low sulphur diesel for lower oil and fuel consumption.

PAROIL E xtra is a Synthetic ultra high performance diesel engine oil with a high viscosity-index. Atlas Copco PAROIL E xtra is designed to provide excellent lubrication from start-up in temperatures as low as -25°C (-13°F).

PAROIL E is a mineral based high performance diesel engine oil with a high viscosity-index. Atlas Copco PAROIL E is designed to provide a high level of performance and protection in 'standard' ambient conditions as from -15°C (5°F).

Synthetic engine oil PAROIL E xtra

	Liter	US gal	Order number
can	5	1.3	1603 0135 00
can	20	5.3	1603 0136 00

Mineral engine oil PAROIL E

	Liter	US gal	Order number
can	5	1.3	1615 5953 00
can	20	5.3	1615 5954 00
barrel	210	55.2	1615 5955 00

OIL LEVEL CHECK

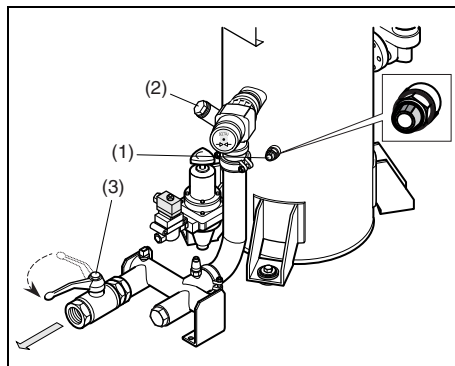
CHECK ENGINE OIL LEVEL

Also consult the Engine Operation Manual for the oil specifications, viscosity recommendations and oil change intervals.

For intervals, see **Maintenance schedule compressor**.

Check engine oil level according to the instructions in the Engine Operation Manual and if necessary top up with oil.

CHECK COMPRESSOR OIL LEVEL



With the compressor standing horizontal, check the level of the compressor oil.

The pointer of the oil level gauge (1) must register in the upper extremity of the green range. Add oil if necessary.



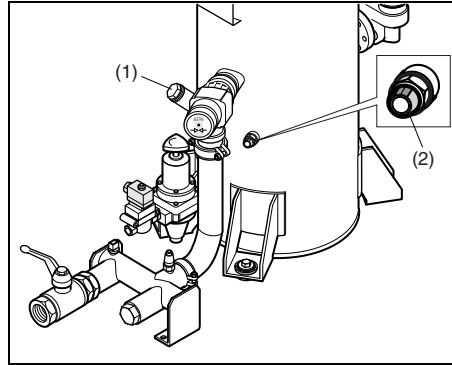
Before removing the oil filler plug (2), ensure that the pressure is released by opening an air outlet valve (3).

OIL AND OIL FILTER CHANGE

ENGINE OIL AND OIL FILTER CHANGE

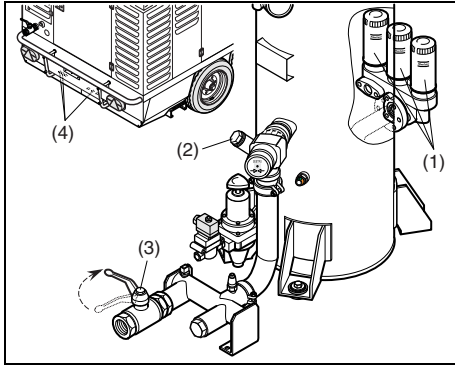
See section **Maintenance schedule compressor**.

TOPPING UP THE COMPRESSOR OIL



1. Stop the compressor. Wait a few minutes until the pressure is released through the automatic blow-down valve. Make sure that all pressure is released by loosening the filler plug (1) one turn.
2. Wait a few minutes until the oil level is constant.
3. Remove the filler plug (1) and top up with oil until the pointer of the oil level gauge (2) is in the upper part of the green area.
4. Reinstall and tighten the filler plug (1).

COMPRESSOR OIL AND OIL FILTER CHANGE



The quality and the temperature of the oil determine the oil change interval.

The prescribed interval is based on normal operating conditions and an oil temperature of up to 100 °C (212 °F) (see section **Maintenance schedule compressor**).

When operating in high ambient temperatures, in very dusty or high humidity conditions, it is recommended to change the oil more frequently.



In this case, contact Atlas Copco.

1. Run the compressor until warm. Close the outlet valve(s) (3) and stop the compressor. Wait until the pressure is released through the automatic blow-down valve. Unscrew the oil filler plug (2) one turn. This uncovers a vent hole, which permits any pressure in the system to escape.
2. Drain the compressor oil by removing all relevant drain plugs (4). Catch the oil in a drain pan. Screw out the filler plug (2) to speed up draining. After draining, place and tighten the drain plugs (4).
3. Remove the oil filters (1), e.g. by means of a special tool. Catch the oil in a drain pan.
4. Clean the filter seat on the manifold, taking care that no dirt drops into the system. Oil the gasket of the new filter element. Screw it into place until the gasket contacts its seat, then tighten one half turn only.
5. Fill the air receiver until the pointer of the oil level gauge is in the upper part of the green area. Be sure that no dirt gets into the system. Reinstall and tighten the filler plug.
6. Start the compressor and let it run unloaded for a few minutes.
7. Stop the compressor, wait a few minutes and top up with oil until the pointer of the oil level gauge is in the upper part of the green area.



Never add more oil. Overfilling results in oil consumption.

COMPRESSOR OIL FLUSHING PROCEDURE



Not respecting compressor oil changing intervals according to the maintenance schedule, can lead to serious problems, including fire hazard! The manufacturer does not accept any liability for damage arising from not following the maintenance schedule or not using genuine parts.

To avoid problems when changing over to a new type of oil (see table) a special Compressor Oil Flushing Procedure has to be followed. The table is only valid in case the replaced oil has not exceeded its lifetime. For more information consult Atlas Copco Service dept.

Aged oil can be recognized best by using an oil sampling analysis program. Indicators for aged oil are strong smell, or contamination like sludge and varnish inside the oil vessel and oil stop valve or a brownish colour of the oil.

Whenever aged oil is discovered, eg. when changing the oil separator, contact Atlas Copco Service dept. to have your compressor cleaned and flushed.

1. First thoroughly drain the system when the oil is warm, leaving as little oil in the system as feasible especially in dead areas, if possible blow out remaining oil by pressurising the oil system. Check the instruction manual for detailed description.

2. Remove the compressor oil filter(s).

3. Open the oil vessel and remove the oil separator element.



Instructions on replacing the oil separator element are available from Atlas Copco Service dept.

4. Check the interior of the oil vessel (see pictures). If varnish deposits are discovered, contact Atlas Copco Service dept. and do not continue.
5. Put in a new oil separator, screw on new compressor oil filter(s) and close the oil vessel according to the instructions.
6. Fill the oil vessel with the minimum amount of replacement oil, run the compressor under light load conditions for 30 minutes.
7. Thoroughly drain the system when the oil is warm, leaving as little oil in the system as feasible, especially in dead areas, if possible blow out remaining oil by pressurising the oil.
8. Fill the system with the final oil charge.
9. Run the compressor under light load conditions for 15 minutes and check for leakage.
10. Check the oil level and top up if necessary.
11. Collect all waste lubricant used during the flushing process and dispose of it in accordance with the applicable procedures for managing waste lubricant.




Vessel cover contaminated

clean



Vessel contaminated

clean

	PAROIL M	PAROIL S	PAROIL S xtreme
PAROIL M	draining *	flushing	flushing
PAROIL S	draining **	draining *	draining
PAROIL S xtreme	draining **	draining	draining *

* When changing over to the same oil within the oil changing interval, draining is sufficient

** Change over not recommended

COOLANT SPECIFICATIONS



Never remove the cooling system filler cap while coolant is hot.

The system may be under pressure. Remove the cap slowly and only when coolant is at ambient temperature. A sudden release of pressure from a heated cooling system can result in personal injury from the splash of hot coolant.



It is strongly recommended to use Atlas Copco branded coolant.

The use of the correct coolant is important for good heat transfer and protection of liquid-cooled engines. Coolants used in these engines must be mixtures of good quality water (distilled or de-ionised), special coolant additives and if necessary freeze protection. Coolant that is not to manufacturer's specification will result in mechanical damage of the engine.

The freezing point of the coolant must be lower than the freezing point that can occur in the area. The difference must be at least 5 °C (9 °F). If the coolant freezes, it may crack the cylinder block, radiator or coolant pump.

Consult the engine's operation manual and follow the manufacturer's directions.



Never mix different coolants and mix the coolant components outside the cooling system.

PARCOOL EG

PARCOOL EG is the only coolant that has been tested and approved by all engine manufacturers currently in use in Atlas Copco compressors and generators.

Atlas Copco's PARCOOL EG extended life coolant is the new range of organic coolants purpose designed to meet the needs of modern engines. PARCOOL EG can help prevent leaks caused by corrosion. PARCOOL EG is also fully compatible with all sealants and gasket types developed to join different materials used within an engine.

PARCOOL EG is a ready to use Ethylene Glycol based coolant, premixed in an optimum 50/50 dilution ratio, for antifreeze protection guaranteed to -40°C (-40°F).

PARCOOL EG

	Liter	US gal	Order number
can	5	1.3	1604 5308 00
can	20	5.3	1604 5307 01
barrel	210	55.2	1604 5306 00

To ensure protection against corrosion, cavitation and formation of deposits, the concentration of the additives in the coolant must be kept between certain limits, as stated by the manufacturer's guidelines. Topping up the coolant with water only, changes the concentration and is therefore not allowed.

Liquid-cooled engines are factory-filled with this type of coolant mixture.

PARCOOL EG Concentrate

	Liter	US gal	Order number
can	5	1.3	1604 8159 00

Because PARCOOL EG inhibits corrosion, deposit formation is minimized. This effectively eliminates the problem of restricted flow through the engine coolant ducts and the radiator, minimizing the risk for engine overheating and possible failure.

It reduces water pump seal wear and has excellent stability when subjected to sustained high operating temperatures.

PARCOOL EG is free of nitride and amines to protect your health and the environment. Longer service life reduces the amount of coolant produced and needing disposal to minimise environmental impact.

HANDLING PARCOOL EG

PARCOOL EG should be stored at ambient temperatures, while periods of exposure to temperatures above 35 °C (95 °F) should be minimized. PARCOOL EG can be stored for a minimum of 5 years in unopened containers without any effect on the product quality of performance.

PARCOOL EG is compatible with most other coolants based on ethylene glycol, but you only get the benefits of 5 years protection when its used on its own. Exclusive use of PARCOOL EG is recommended for optimum corrosion protection and sludge control.

For simple density-measuring of Ethylene Glycol and Propylene Glycol in general the standard available 'density' measuring devices are used to measure the concentration of EG. In case a device is used to measure EG, no PG can be measured afterwards as a result of the difference in the density. More specific measurements can be done by the use of a refractometer. This device can measure both EG and PG. A mix of both products will be show unreliable results!

Mixed EG coolants with identical glycol type can be measured by use of a refractometer as well as the 'density' system. The mixed coolants will be considered as one product.

The use of distilled water is recommended. If you have exceptionally soft water it would be acceptable, as well. Basically, the engine metals are going to corrode to some extent no matter what water you use, and hard water will encourage the resulting metal salts to precipitate.

PARCOOL EG comes as a pre-mixed coolant to safeguard the quality of the complete product.

It is recommended that topping up of the cooling system is always done with PARCOOL EG.

COOLANT CHECK



Never remove the cooling system filler cap while coolant is hot.

The system may be under pressure. Remove the cap slowly and only when coolant is at ambient temperature. A sudden release of pressure from a heated cooling system can result in personal injury from the splash of hot coolant.

In order to guarantee the lifetime and quality of the product, thus to optimise engine protection, regular coolant-condition-analysis is advisable.

The quality of the product can be determined by three parameters:

Visual check

- Verify the outlook of the coolant regarding colour and make sure that no loose particles are floating around.

pH measurement

- Check the pH value of the coolant using a pH-measuring device.
- The pH-meter can be ordered from Atlas Copco with part number 2913 0029 00.
- Typical value for EG = 8.6.
- If the pH-level is below 7 or above 9.5, the coolant should be replaced.

Glycol concentration measurement

- To optimise the unique engine protection features of the PARCOOL EG the concentration of the Glycol in the water should be always above 33 vol.%.
• Mixtures with more than 68 vol.% mix ratio in water are not recommended, as this will lead to high engine operating temperatures.
- A refractometer can be ordered from Atlas Copco with part number 2913 0028 00.



In case of a mix of different coolant products this type of measurement might provide incorrect values.

TOPPING UP/REPLACING COOLANT

- Verify if the engine cooling system is in a good condition (no leaks, clean,...).
- Check the condition of the coolant.
- If the condition of the coolant is outside the limits, the complete coolant should be replaced (see section **Replacing the coolant**).
- Always top-up with PARCOOL EG Concentrate / PARCOOL EG.
- Topping up the coolant with water only, changes the concentration of additives and is therefore not allowed.

TOPPING UP WITHOUT DRAINING FROM THE COOLING SYSTEM

The quantity of PARCOOL EG Concentrate to be topped up can be estimated with the following formula and/or graph:

Corrections concentrate in measured system towards 50% volume by using PARCOOL EG Concentrate

PN: 1604 8159 00

Example:

Total volume coolant =

14 Liter

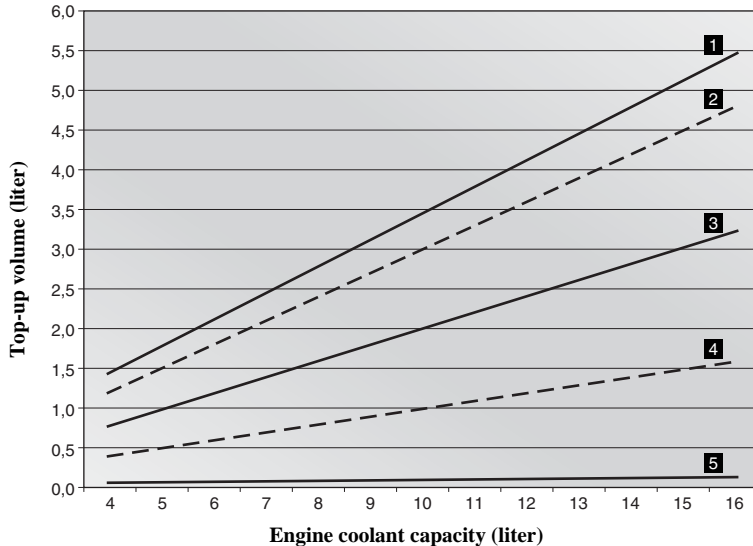
Measured concentration =

33 Vol %

$$50 - \frac{33}{33} = 17 \quad * \quad \frac{14}{50} = 4,8 \quad \text{Liter PARCOOL EG Concentrate}$$

In case of expansion tank at low level, this quantity is to be filled without draining from the cooling system.

Top-up volume PARCOOL EG Concentrate without drainage



1. Refractometer indication -20° C (33%)
2. Refractometer indication -22° C
3. Refractometer indication -25° C
4. Refractometer indication -30° C
5. Refractometer indication -36° C

TOPPING UP AFTER LIMITED QUANTITY DRAINING FROM THE COOLING SYSTEM

The quantity of PARCOOL EG Concentrate to be topped up after draining a calculated volume from the cooling system, can be estimated with the following formula and/or graph:

Corrections concentrate in measured system towards 50% volume by using PARCOOL EG Concentrate

PN: 1604 8159 00

Example:

Total volume coolant =

80 Liter

Measured concentration =

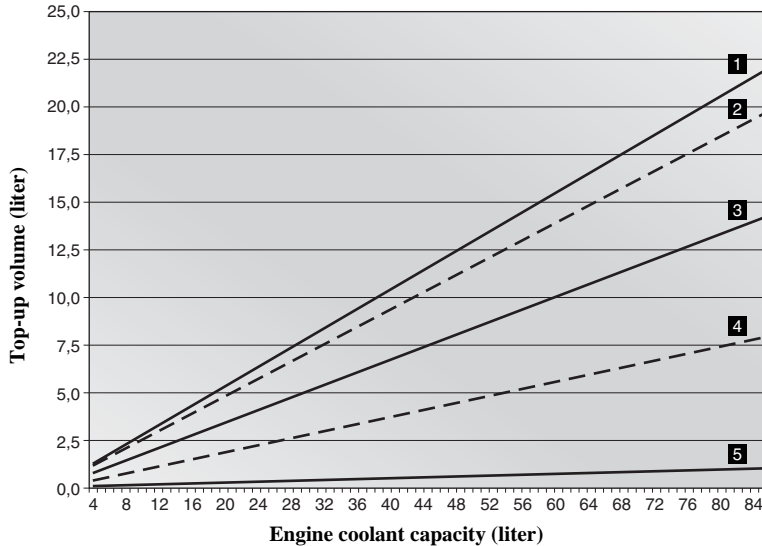
33 Vol %

$$50 - \frac{33}{33} = 17 \cdot \frac{80}{67} = 20 \text{ Liter PARCOOL EG Concentrate}$$

$$100 - \frac{33}{33} = 67$$

In case of expansion tank at normal level, this quantity is to be drained from the cooling system.

Top-up volume PARCOOL EG Concentrate with drainage



1. Refractometer indication -20° C (33%)
2. Refractometer indication -22° C
3. Refractometer indication -25° C
4. Refractometer indication -30° C
5. Refractometer indication -36° C

REPLACING THE COOLANT

Drain

- Completely drain the entire cooling system.
- Used coolant must be disposed or recycled in accordance with laws and local regulations.

Flush

- Flush twice with clean water. Used coolant must be disposed or recycled in accordance with laws and local regulations.
- From the Atlas Copco Instruction book, determine the amount of PARCOOL EG required and pour into the radiator top tank.
- It should be clearly understood that the risk for contamination is reduced in case of proper cleaning.
- In case a certain content of 'other' coolant remains in the system, the coolant with the lowest properties influences the quality of the 'mixed' coolant.

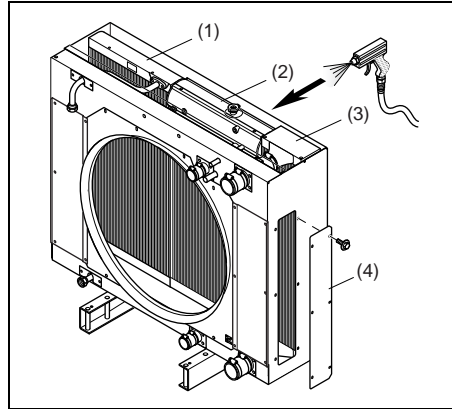
Fill

- To assure proper operation and the release of trapped air, run the engine until normal engine operation temperature is reached. Turn off the engine and allow to cool.
- Recheck coolant level and add if necessary.



Caution: do not top off when the engine is hot.

CLEANING COOLERS



Keep the coolers (1), (2) and (3) clean to maintain the cooling efficiency.

Service doors (4) are provided on both sides of the fan cowl to allow easy access to the fan side surface of the coolers.



Remove any dirt from the coolers with a fibre brush. Never use a wire brush or metal objects.

Clean by air jet in the direction of the arrow.

Steam cleaning in combination with a cleansing agent may be applied (do not use jet at max. power).



To avoid damaging the coolers, angle between jet and coolers should be approx. 90°.

Close the service door(s).



Protect the electrical and controlling equipment, air filters, etc. against penetration of moisture.

Never leave spilled liquids such as fuel, oil, coolant and cleansing agents in or around the compressor.

BATTERY CARE



Before handling batteries, read the relevant safety precautions and act accordingly.

If the battery is still dry, it must be activated as described in section **Activating a dry-charged battery**.

The battery must be in operation within 2 months from being activated; if not, it needs to be recharged first.

ELECTROLYTE



Read the safety instructions carefully.

Electrolyte in batteries is a sulphuric acid solution in distilled water.

The solution must be made up before being introduced into the battery.



Always pour the sulphuric acid carefully into the distilled water; never pour the water into the acid.

ACTIVATING A DRY-CHARGED BATTERY

- Take out the battery.
- Battery and electrolyte must be at equal temperature above 10 °C (50 °F).
- Remove cover and/or plug from each cell.
- Fill each cell with electrolyte until the level reaches the mark on the battery. If there is no mark on the battery, the level must be above the plates for at least 10 mm (0.4 in) to 15 mm (0.6 in).
- Rock the battery a few times so that possible air bubbles can escape; wait 10 minutes and check the level in each cell once more; if required, add electrolyte.
- Refit plugs and/or cover.
- Place the battery in the compressor.

RECHARGING A BATTERY

Before and after charging a battery, always check the electrolyte level in each cell; if required, top up with distilled water only. When charging batteries, each cell must be open, i.e. plugs and/or cover removed.



Use a commercial automatic battery charger according to its manufacturer's instructions.

Apply with preference the slow charging method and adjust the charge current according to the following rule of thumb:

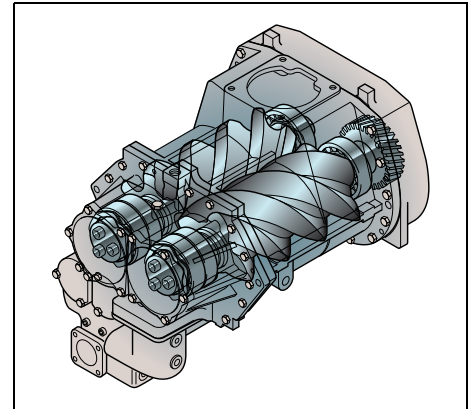
Battery capacity in Ah divided by 20 gives safe charging current in Amp.

BATTERY MAINTENANCE

- Keep the battery clean and dry.
- Keep the electrolyte level above the plates or at the indicated level. Level above plates at least 10 mm (0.4 in) to 15 mm (0.6 in). Top up with distilled water only.
- Keep the terminals and clamps tight, clean, and lightly covered with petroleum jelly.

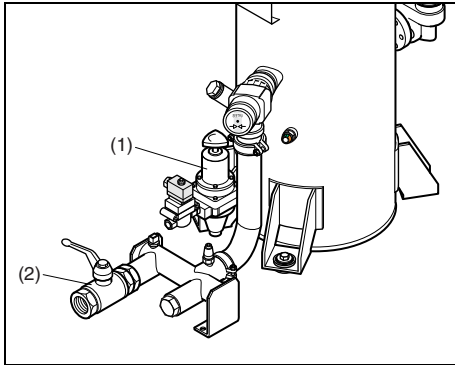
COMPRESSOR ELEMENT OVERHAUL

When a compressor element is due for overhaul, it needs to be done by Atlas Copco. This guarantees the use of genuine parts and correct tools with care and precision.



Adjustments and servicing procedures

ADJUSTMENT OF THE CONTINUOUS PNEUMATIC REGULATING SYSTEM



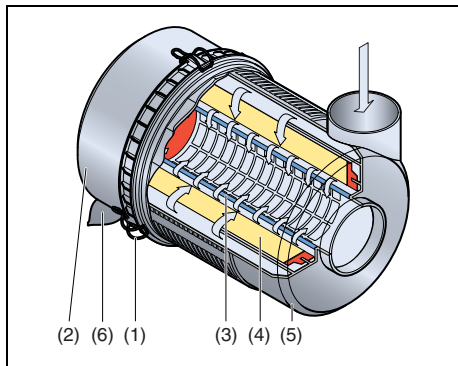
The working pressure is determined by the tension of the spring in the regulating valve (1). This tension can be increased to raise the pressure and decreased to lower it by turning the adjusting wheel clockwise and anti-clockwise respectively.

To adjust the normal working pressure, proceed as follows:

1. Loosen the lock nut of the regulating valve.
2. Release Regulating Valve (turn out).
3. With the outlet valves (2) closed, adjust the regulating valve (1), until a pressure is reached of nominal pressure + 2 bar (+ 29 psi).
4. Lock the regulating valve (1) by fixing the lock nut.

AIR FILTERS ENGINE / COMPRESSOR

MAIN PARTS



- | | |
|---------------------|-------------------|
| 1. Snap clips (4x) | 4. Filter element |
| 2. Dust trap cover | 5. Filter housing |
| 3. Safety cartridge | 6. Vacuator valve |

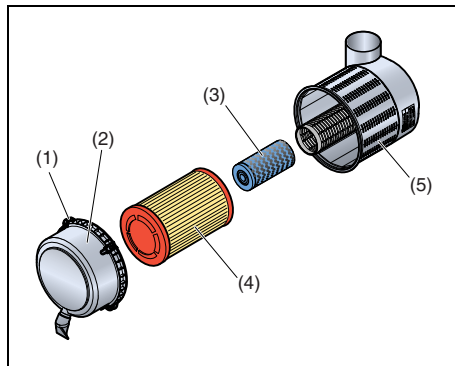


The Atlas Copco air filters are specially designed for the application. The use of non-genuine air filters may lead to severe damage of the engine and/or compressor elements.

CLEANING THE DUST TRAP

To remove dust from the dust trap pinch the vacuator valve (6) several times.

REPLACING THE FILTER ELEMENT AND THE SAFETY CARTRIDGE



1. Release the snap clips (1) and remove the dust trap cover (2). Clean the inside of the cover.
2. Withdraw the filter element (4) and safety cartridge (3) from the housing (5).

Discard the filter element when damaged.

A dirty safety cartridge (3) is an indication of a malfunctioning filter element.



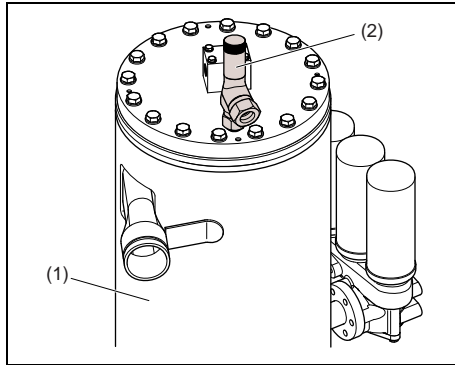
Replace the filter element and the safety cartridge at the same time. New elements should be inspected for tears and punctures before installation.



The safety cartridge cannot be cleaned.

3. Reassemble in reverse order of dismantling.
4. Inspect and tighten all air intake connections.

AIR RECEIVER



The air receiver (1) is tested according to official standards. Regularly have inspections carried out in conformity with local regulations.



Daily drain condensate.

SAFETY VALVE



All adjustments or repairs are to be done by an authorized representative of the safety valve (2) supplier, see section Specific safety precautions.

Following checks must be carried out:

- A check of the opening of the lifting gear, twice a year.
This can be done by screwing the cap of the valve anti-clockwise.
- A check of the set pressure once a year according to the local regulations. This check cannot be done on the compressor and must be carried out on a proper test bench.

FUEL SYSTEM

PRIMING INSTRUCTIONS



Fuel leaked or spilled onto hot surfaces or electrical components can cause a fire. To help prevent possible injury, turn the “ON/OFF” switch in position “OFF” when changing fuel filters or water separator elements. Clean up fuel spills immediately.

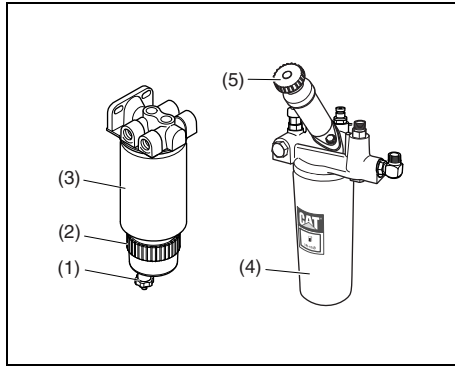
Prime the fuel system in order to fill the fuel filter. Prime the fuel system in order to purge trapped air (see paragraph **Specific start procedure**). The fuel system should be primed under the following conditions:

- Compressor is put in operation for the first time
- Running out of fuel
- Storage
- Replacement of the fuel filter



Do not loosen the fuel lines at the fuel manifold. The fittings may be damaged and/or a loss of priming pressure may occur when the fuel lines are loosened.

REPLACING FILTER ELEMENTS



Replacing the filter elements:

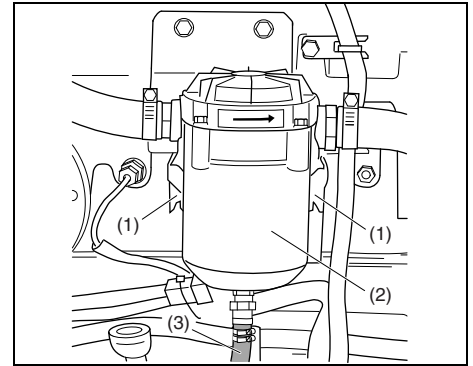
Installation instructions:

1. Drain fuel from the bowl.
2. Remove filter (2, 3), filterelement (4) and separate bowl (2) from element (3).
3. Apply film of gas oil to new bowl seat.
4. Screw bowl (2) to new element (3) tightly by hand.
5. Apply film of gas oil to new element seals.
6. Screw on filter (2, 3) and filterelement (4) tightly by hand.
7. Open head vent and operate pump (5). Close vent when fuel begins to purge.
8. Check for leaks, retighten if necessary.

Drain instructions:

1. Open bowl drain valve (1), operate pump (5) and pump water out.
2. Close drain valve (1).

CLEANING CRANKCASE BREATHER FILTER



1. After switching off the engine, let it cool down for about 30 minutes.
2. Open the clasps (2) and carefully separate the bowl from the head. Be aware that hose (3) is still attached.
3. Take out the wire mesh and clean it in a solvent (diesel fuel).
4. Thoroughly dry the wire mesh with compressed air.
5. Put the wire mesh in the bowl and mount the bowl to the head. Do not twist hose (3).

MAINTENANCE QUICK ACTION FUEL COUPLINGS

Even with proper selection and installation, quick action coupling life may be significantly reduced without a continuing maintenance program. Frequency should be determined by the severity of the application and risk potential. A maintenance program must be established and followed by the user and must include the following as a minimum:

Visual inspection of quick action couplings:

Any of the following conditions require immediate shut down and replacement of the quick action coupling:

- Cracked, damaged, or corroded quick action coupling parts.
- Leaks at the fitting, valve or mating seal.
- Broken coupling mounting hardware, especially breakaway clamps.

Visual inspection all other:

- Leaking seals or port connections.
- Excess dirt build-up on the coupling locking means or on the interface area of either coupling half.
- Defective clamps, guards, and shields.
- Fuel level system and any entrapment.

Functional test:

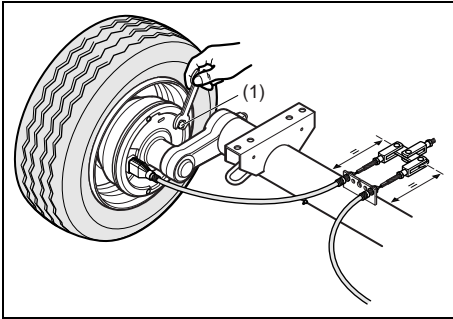
Operate the system at maximum operating pressure and check for possible malfunctions and freedom from leaks. Personnel must avoid potential hazardous areas while testing and using the system.

Replacement intervals:

Specific replacement intervals must be considered based on previous service life, government or industry recommendations, or when failures could result in unacceptable downtime, damage or injury risk.

BRAKE ADJUSTMENTS

BRAKE SHOE ADJUSTMENT (NO ABS)



- Check the position of the brake equalizer compensators with the parking brake applied.
 - Positioned at right angles to the brake rods = even play on both wheel brakes.
 - Re-adjust brakes if necessary.
 - As a check, apply the parking brake slightly and check that the braking effect on the wheels (in the direction of travel) is the same on the right and on the left.
- Tighten the adjustment nut (1) on the wheel brake with a spanner until the wheel will not rotate in the direction of travel.
 - Centre the brake shoes by applying the parking brake several times.
 - Turn back the adjustment bolt (1) by approximately one turn, until no braking effect can be felt when the wheel is turned in a forward direction.

ABS BRAKING SYSTEM

Pneumatic setting on the relay valve:

The pre-dominance of the pneumatic braking system is pre-set and is not to be changed.

Pre-set pre-dominance for compressor type 06287, 06264 and 06266 is: 0 bar.

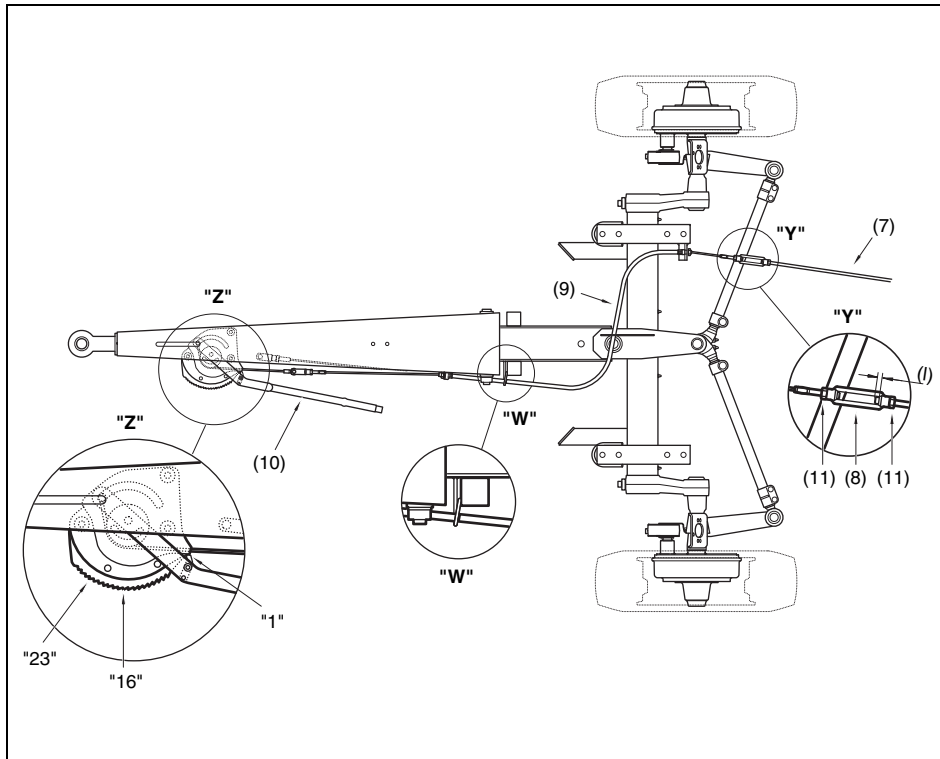
Pre-set pre-dominance for compressor type 06288 is 0.2 bar.

The compressor type is stated on the data plate.

To get the best braking performance and normal wear pattern it is recommended to have a harmonization done between 5,000 and 10,000 km and after changing the lorry.

The user is responsible for the harmonization.

BRAKE ADJUSTMENT WAGON ABS



Adjusting the linkage

- The parking brake is adjusted by using the turnbuckle (8). Adjust till the play in the linkage is 1-3 mm (max. 3 mm is allowed).
- Apply the parking brake lever several times by hand with a force of 200 to 300 N and put it back into the -not engaged- tooth "1" position. Adjust the turnbuckle (8) as described above.

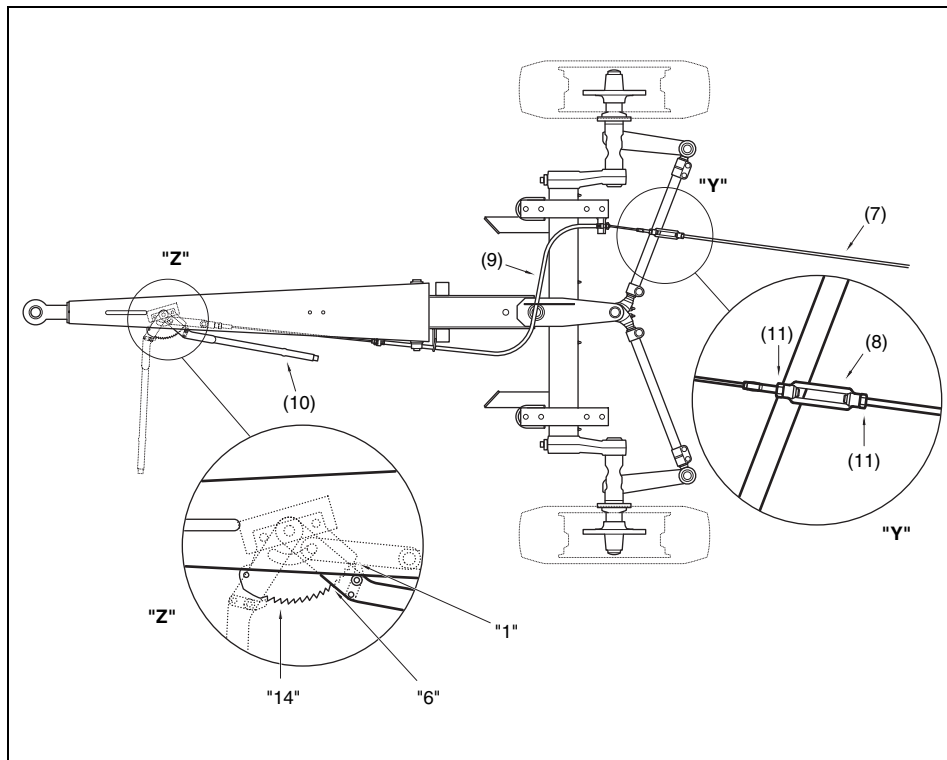


**Tighten all lock nuts (11)
(Torque: 24 Nm).**

Testing the parking brake

- For testing the parking brake, apply the parking brake lever. Brake power must be reached between the 16th and 23rd tooth of the toothed segment ("Z").

BRAKE ADJUSTMENT WAGON WITHOUT ABS



Adjusting the linkage

- The parking brake is adjusted by using the turnbuckle (8). Adjust till the play in the linkage is 1-3 mm (max. 3 mm is allowed).

Apply the parking brake lever several times by hand with a force of 200 to 300 N and put it back into the -not engaged- tooth "1" position. Adjust the turnbuckle (8) as described above.

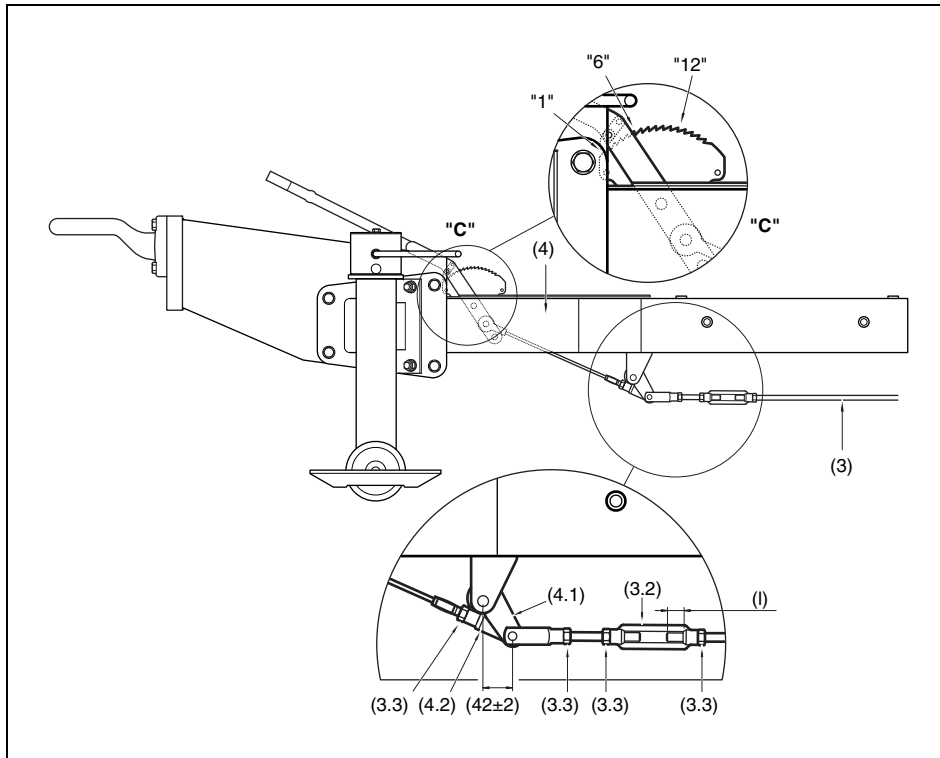


Tighten all lock nuts (11)
(Torque: 24 Nm).

Testing the parking brake

- For testing the parking brake, apply the parking brake lever. Brake power must be reached between the 6th and 14th tooth of the toothed segment ("Z").

BRAKE ADJUSTMENT TANDEM ABS



Adjusting the linkage

- The parking brake is adjusted by using the turnbuckle (3.2). Adjust till there is almost no play in the linkage is (max. 3 mm is allowed). Take care that at both thread ends at least two complete turns of the thread (l) are visible in the inner part of the turnbuckle.
- Apply the parking brake lever several times by hand with a force of 200 to 300 N and put it back into the -not engaged- tooth "1" position. Adjust the turnbuckle (3.2) as described above.

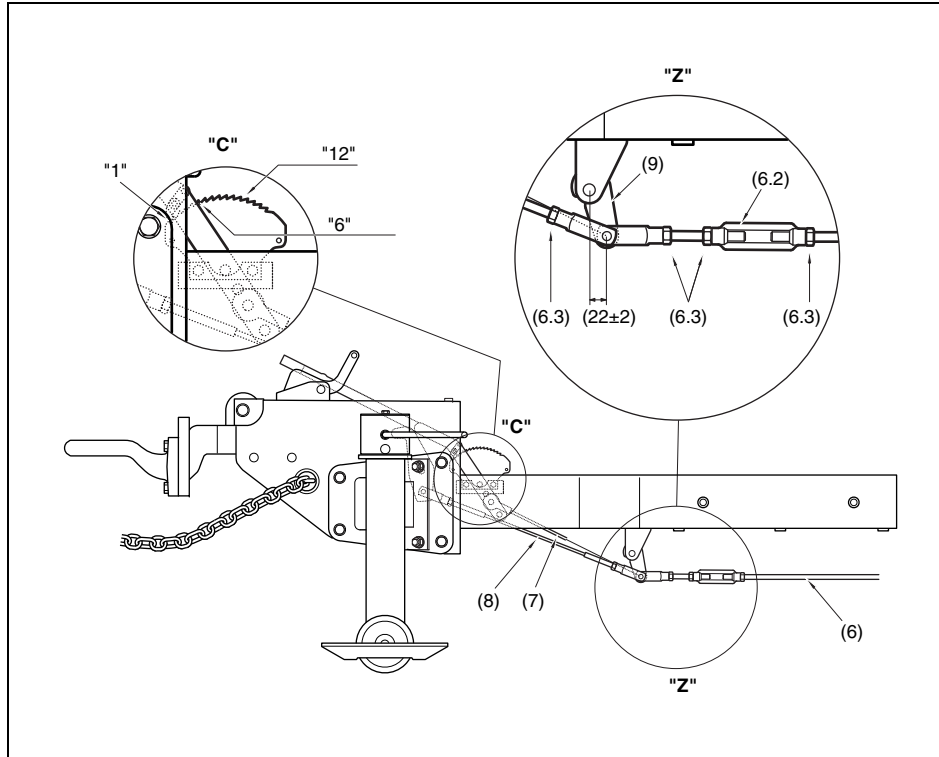


Tighten all lock nuts (3.3)
(Torque: 40 Nm).

Testing the parking brake

- For testing the parking brake, apply the parking brake lever. The nominal brake power must be reached between the 6th and 12th tooth of the toothed segment ("C").

BRAKE ADJUSTMENT TANDEM WITHOUT ABS



Adjusting the linkage

- The parking brake is adjusted by using the turnbuckle (6.2). Adjust till there is almost no play in the linkage is (max. 3 mm is allowed). Take care that of both thread ends at least two complete turns of the thread are visible in the inner part of the turnbuckle.
- Apply the parking brake lever several times by hand with a force of 200 to 300 N and put it back into the -not engaged- tooth "1"-position. Adjust the turnbuckle (6.2) as described above.



Tighten all lock nuts (6.3)

(Torque: M12=40 Nm, M10=24 Nm).

Testing the parking brake

- For testing the parking brake, apply the parking brake lever. The nominal brake power must be reached between the 6th and 12th tooth of the toothed segment ("C").

Problem solving

It is assumed that the engine is in good condition and that there is adequate fuel flow to the filter and injection equipment.



An electrical fault must be traced by an electrician.

Make sure that the wires are not damaged and that they are clamped tight to their terminals.

For denomination of switches, relays, etc., see **Electric system**.

See also section **Control panel**.

Problem: Compressor capacity or pressure below normal.

Possible faults	Corrective actions
Air consumption exceeds capacity of compressor.	Check equipment connected.
Choked air filter elements (AF).	Remove and inspect elements. Clean or replace, if necessary.
Regulating valve (RV) defective.	Have regulating valve removed and inspected by an Atlas Copco Service representative.
Blow down valve stuck in open position.	Check and correct as necessary.
Loading valve (LV) leaking past O-ring.	With compressor running at max. load speed, disconnect hose leading to unloader. If air leaks from the hose, remove and inspect loading valve. Replace damaged or worn O-rings.
Oil separator element clogged.	Have element removed and inspected by an Atlas Copco Service representative.
Air intake throttle valve remains partially closed.	Remove air filters, air intake manifold and throttle valve spring seat. Withdraw the valve and inspect. Replace parts where necessary. Caution: the spring seat is fixed with 4 short and 2 long setscrews: first remove the short screws, then release the spring tension unscrewing the long ones.
Safety valve (SV) leaking.	Remove and inspect. Replace if not airtight after reinstallation.
Blow-off valve leaking.	Remove and inspect. Replace if necessary.

Problem: Pressure in air receiver rises above maximum and causes safety valve to blow.

Possible faults	Corrective actions
Regulating valve (RV) opens too late or its ball valve spring is broken.	Have regulating valve removed and inspected by an Atlas Copco Service representative.
Air leaks in regulating system.	Check hoses and their fittings. Stop leaks; replace leaking hoses.
Air intake throttle valve does not close for some reason.	Remove air filters, air intake manifold and throttle valve spring seat. Withdraw the valve and inspect. Replace parts where necessary. Caution: the spring seat is fixed with 4 short and 2 long setscrews: first remove the short screws, then release the spring tension unscrewing the long ones.
Minimum pressure valve malfunctioning.	Remove and inspect valve.
Blow-off valve malfunctioning.	Remove and inspect valve.

Problem: After working some time, the unit stops through a shutdown switch.

Possible faults	Corrective actions
Engine oil pressure too low.	Refer to the engine instruction manual.
Compressor or engine overheating.	See corrective actions "Compressor overheating".
Fuel tank contains insufficient fuel.	Fill fuel tank.
Low coolant level.	Top up cooling system.

Problem: Air and oil mist expelles from air filters immediately after stopping.

Possible faults	Corrective actions
Check valve at element outlet.	Remove and inspect. Replace if necessary. Replace air filter elements and safety cartridges. Check the oil level and add oil if necessary. Run the compressor for a few minutes, stop and recheck oil level.
Plunger of oil stop valve jammed.	Remove and inspect. Replace if necessary. Replace air filter elements and safety cartridges. Check the oil level and add oil if necessary. Run the compressor for a few minutes, stop and recheck oil level.

Problem: Compressor overheating.

Possible faults	Corrective actions
Insufficient compressor cooling.	Locate compressor away from walls; when banked with other compressors, leave space between them.
Oil cooler clogged externally.	Clean oil cooler. Refer to section Cleaning coolers .
Oil cooler clogged internally.	Consult Atlas Copco.
Oil filters clogged.	Replace oil filters.
Oil level too low.	Check oil level. Top up with recommended oil if necessary.
Thermostatic by-pass valve remains stuck in opened position.	Remove valve and check for proper opening and closing. Replace if out of order.
Fan blade(s) broken.	Check and correct if necessary.
Oil stop valve malfunctioning.	Remove and inspect valve.
Oil separator element (OS) clogged.	Have element removed and inspected by an Atlas Copco Service representative.

Alternator precautions

1. Never reverse the polarity of the battery or the alternator.
2. Never break any alternator or battery connections while the engine is running.
3. When recharging the battery, disconnect it from the alternator. Before using booster cables to start the engine, be sure of the polarity and connect the batteries correctly.
4. Never operate the engine without the main or voltage sensing cables connected in the circuit.

HEATER FAILURE

Problem: Heater does not start when switched on.

Possible faults	Corrective actions
No fuel.	Check fuel level.
Fuse blown.	Check fuse.
Bad electrical contact.	Check electrical wiring.
Blocked air duct or exhaust gas duct.	Check combustion air duct and exhaust gas duct.
Glow plug defective.	Replace glow plug.
Fan motor defective.	Replace fan motor.

Problem: Flame extinguishes.

Possible faults	Corrective actions
Overheating	Cool down and start again.

Problem: Heater shuts off.

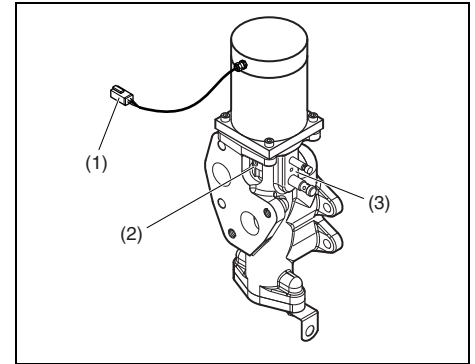
Possible faults	Corrective actions
Upper or lower voltage limit is reached.	Check power.

Problem: Control unit locked.

Possible faults	Corrective actions
Device switched off and on again too many times.	Contact your agent.

OILTRONIX FAILURE

Manually locking the valve (temporary solution)



Disconnect the connector (1) of the stepper motor, to ensure that the stepper motor does not try to rotate the valve.

Rotate the white coupling of the valve manually until the blind hole (2) in the coupling is in line with the threaded hole (3) in the housing.



Check the correct position of the blind hole with a \varnothing 4 mm pin.

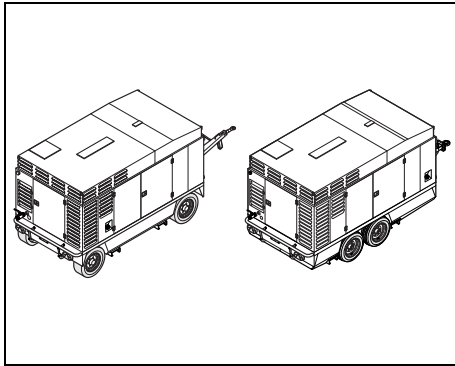
Block the valve by screwing a bolt (M5 x 20) through the housing and in the blind hole in the coupling.



Contact Atlas Copco for a thorough scan and repair.

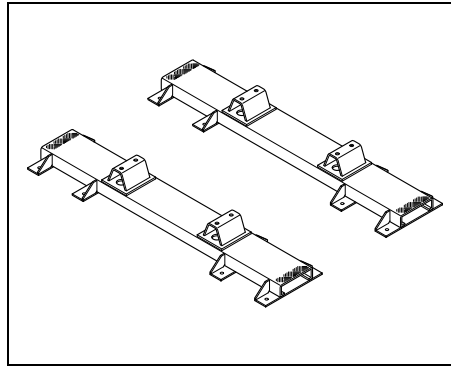
Available options

UNDERCARRIAGE



The undercarriage makes it possible to move the compressor on the site with a truck to the location where it is needed. This option exits of rubber damped axles, four wheels and a tow bar. The wheels are also equipped with brakes operated from the brake handle on the tow bar.

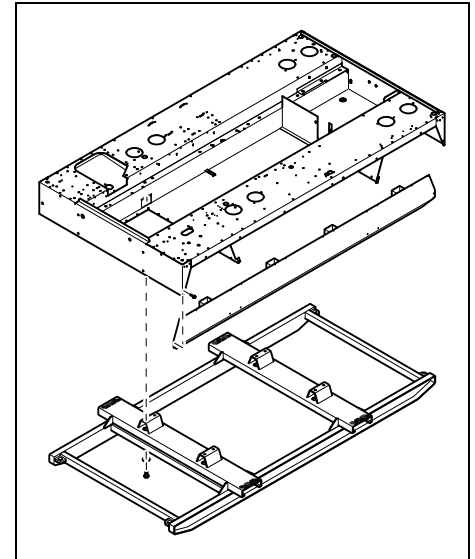
SUPPORT MOUNTED / LARGE FUEL TANKS



With the option “Support mounted” it is possible to fix the compressor to a truck for more flexibility or to a frame when it is to be used permanently in an installation.

In combination with the support mounted it is also possible to integrate larger fuel tank to get larger intervals between two fuel supply actions.

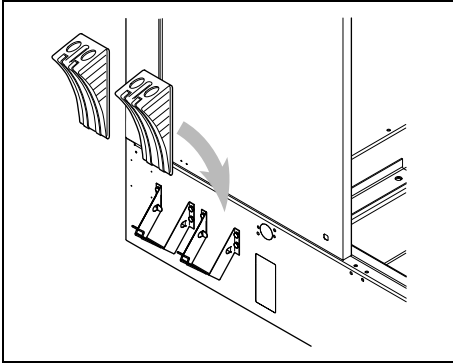
SKID / LARGE FUEL TANKS



The skid is ideal in circumstances where the site is impossible to reach by truck. It allows transportation by crane or fork lift truck. When on the ground it can be pushed into the exact location.

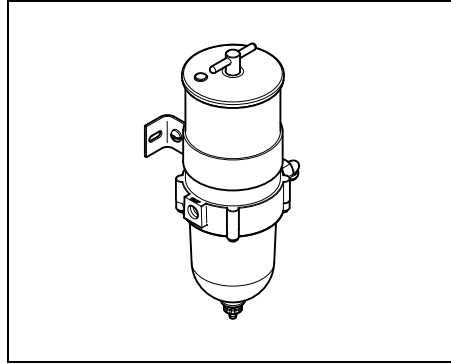
In combination with the skid it is also possible to integrate larger fuel tank to get larger intervals between two fuel supply actions.

WHEEL CHOCKS



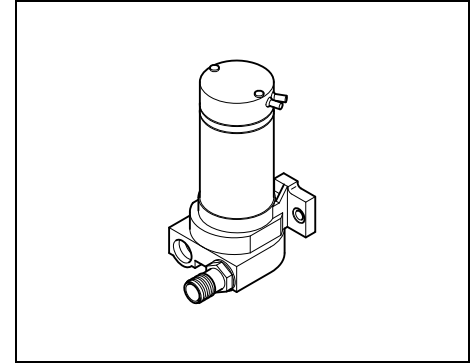
For extra safe parking on slopes.

ADDITIONAL FUELFILTER



In dusty environments or in situations where the fuel quality is not up to the normal standard, this additional fuel filter gives an extra protection to the fuel/combustion system.

ELECTRIC REFUEL PUMP

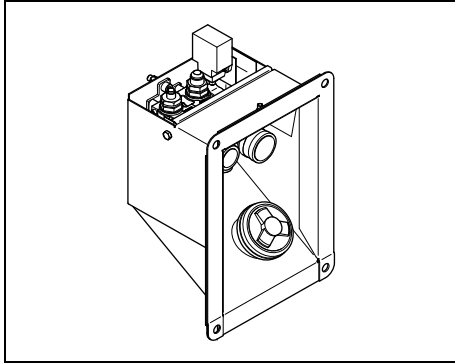


The electric refuel pump makes it easy to refuel the compressor on site when refuelling from tanks or containers. This option also contains a suction hose with strainer.

When switched on the electric refuel pump will be automatically switched off when:

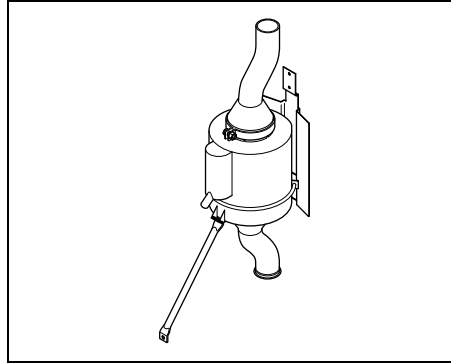
- the tank is full,
- the tank used for refuelling is empty.

EXTERNAL FUEL CONNECTION



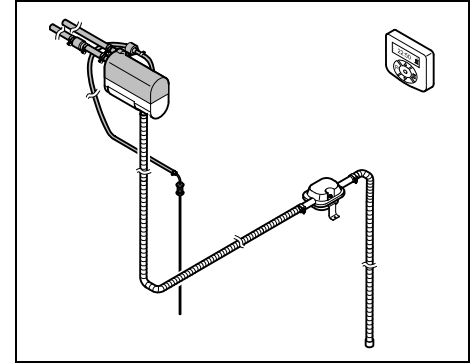
When a compressor is operated on site for a longer period it is advisable to supply the fuel through external fuel connections. When using this option the regular refuelling by tanker it is no more needed. Consequently there is also less risk for contamination when refuelling.

SPARK ARRESTOR



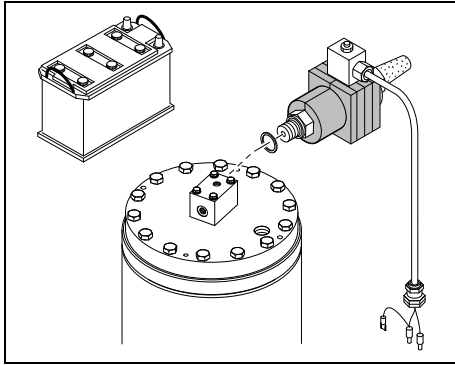
The certified spark arrester is an addition to the exhaust that makes it possible to operate the compressor in hazardous environments like refineries where there is a possibility that inflammable fumes can be released. The spark arrester prevents any hot (burning) particles from getting into the open air.

PREHEATER



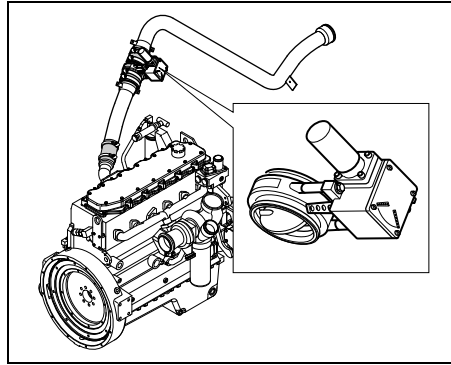
The preheater is a device for preheating the cooling fluid before starting when operating at low temperatures. The engine will start more easy. Additionally the preheater will lengthen the life span of the engine as there are no cold starts (see also section **Preheater (option)**).

COLD WEATHER PACKAGE



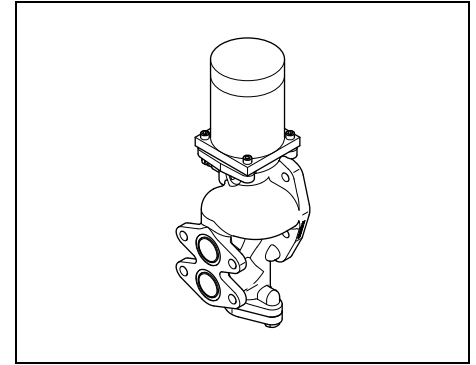
The cold start option consists of larger batteries and a blow off valve to be able to start the engine at temperatures between -10°C (14°F) and -25°C (-13°F). It also includes a preheater.

INLET SHUTDOWN VALVE



The inlet shut down valve is a safety device preventing the engine from over speeding when sucking in combustible fumes. When the engine max. RPM is exceeded a pneumatically controlled solenoid valve closes off the air inlet and the fuel supply to the engine is cut.

OILTRONIX



The OILTRONIX is an Electronic Oil Management System for compressors providing an optimal oil injection temperature that reduces the condensation of water in the oil. This will result in a longer life of components in the compressor system.

Because of the OILTRONIX the unit will also be operating at temperatures kept as low as possible.

The OILTRONIX is standard on the XRXS and XRYs types and option on the XRVS types.

COSMOS REMOTE MONITORING SYSTEM

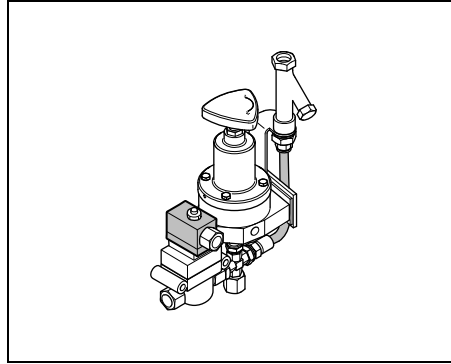


COSMOS allows technicians to arrive at the right location, at the right time, with the right information and service materials so enabling you to give better customer service, more up-time, and more accurate invoicing than previously possible.

COSMOS provides information on:

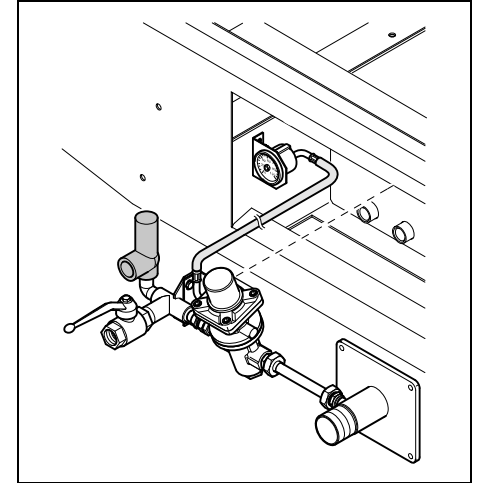
- time to maintenance
- operational history (running hours, fuel levels, events)
- utilization data visualized in usage graphs
- the location of the machine
- all measured values and parameters

FUELXPERT™



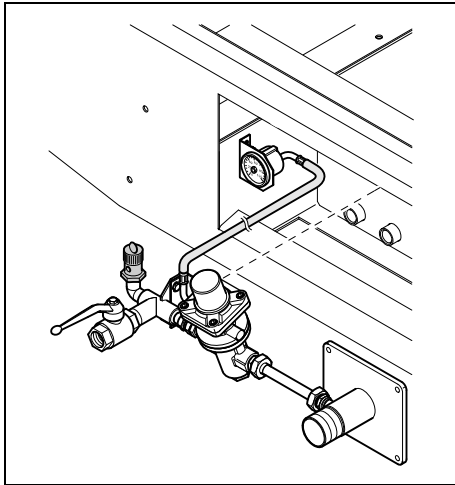
This is a control module that regulates engine speed and the air inlet to optimise fuel consumption depending on the working conditions, and the output required.

PRESSURE REGULATOR EC



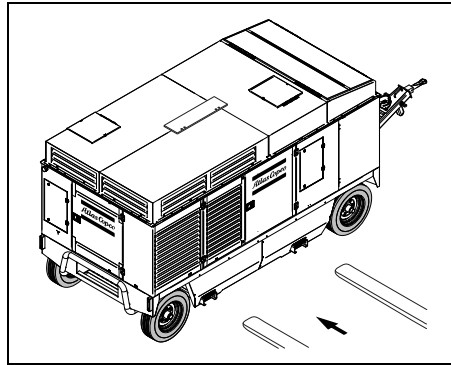
A pressure regulating system according to European standards for reducing the operating pressure. It will limit the operating pressure to 7 bar and allow the operation of hand held pneumatic tools.

PRESSURE REGULATOR ASME



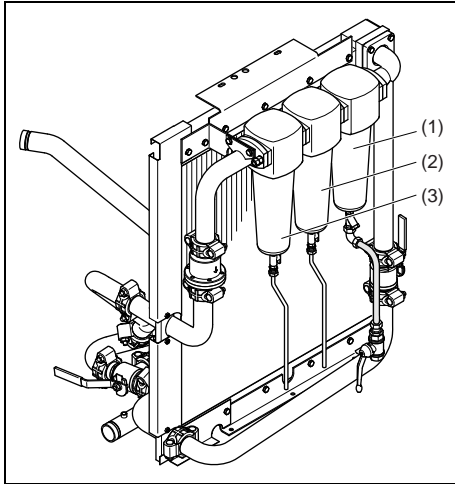
A pressure regulating system according to US standards for reducing the operating pressure. It will limit the operating pressure to 7 bar and allow the operation of hand held pneumatic tools.

FORK LIFT SLOTS



With fork lift slots the compressor can easily be moved with a fork lift truck on building sites where it is impossible to use a towing truck.

AFTER-COOLER



An integral after-cooler, with water separator (1), is available to reduce the outlet air temperature to ambient plus 10°C (18°F) and cut water content to a mere 15%. This performance can be obtained under optimal atmospheric conditions.

When an after-cooler is used in an application where the temperature is critical the air outlet temperature can be monitored by the compressor controller.

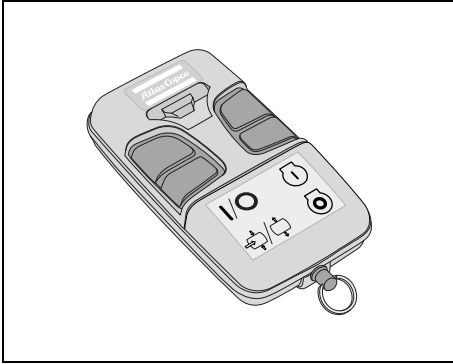
A warning can be set at a value between 0°C and 115°C (=default value) and a shut-down can be set at a value between 0°C and 120°C (= default value). The operator has authority to modify these values so the process can be guarded and kept in a safe condition under all circumstances.

See also table **Fault codes** on page 41.

The installation includes a by-pass over the after-cooler. For applications that demand quality air, a fine filtration unit (2) can be specified with the after-cooler package. This will remove oil and particles down to 0.01 mg/m³.

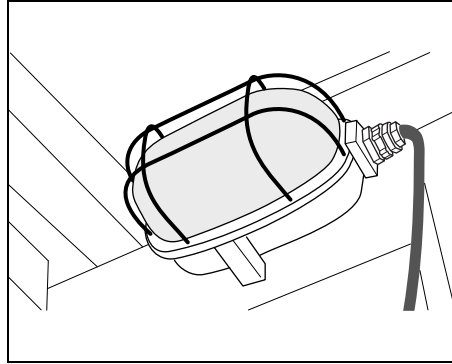
For purer, but not breathing, air, an active charcoal filtration unit (3) can be specified with the after-cooler package. This removes oil and oil vapour content to 0.003 mg/m³.

WIRELESS REMOTE CONTROL



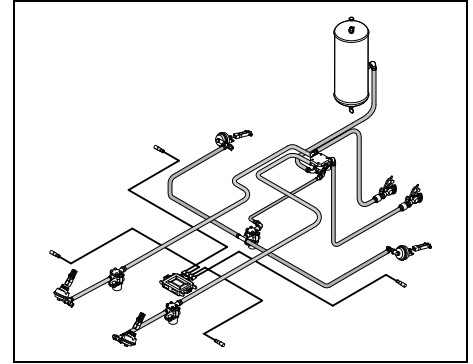
The compressor controls can be handled remotely if required, thereby allowing the compressor to work at some distance from the actual drilling application. It's easy-to-use in all kinds of applications and it saves fuel with an additional no-load function.

INTERNAL LIGHTNING



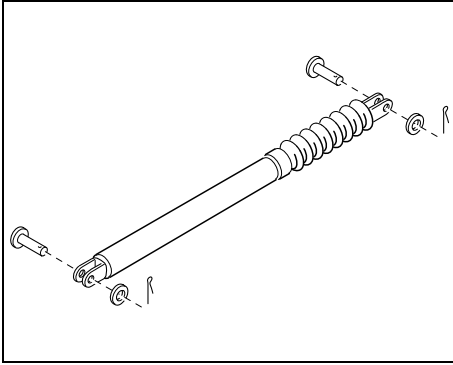
The internal lighting circuit is equipped with a timer. When the internal lighting is switched on, the timer is started. After a preset time the internal light will be switched off automatically.

ABS BREAKING SYSTEM



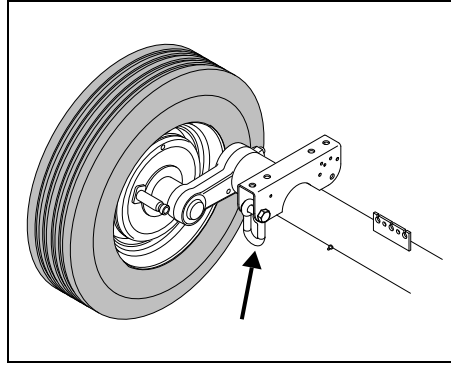
Improves braking stability from higher transport speeds compliant to 98/12/EC.

WAGON TOW BAR LEVEL DEVICE



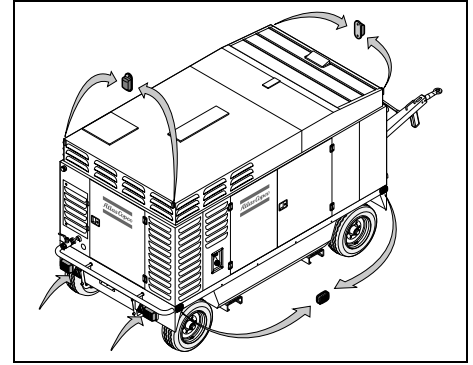
The tow bar levelling device is an ergonomic device making it easier for the operating personnel to couple the compressor to a towing vehicle. As the tow bar itself is rather heavy, the levelling device compensates most of this weight so the operator has less weight to carry, saving his back.

TIE DOWN LOOPS



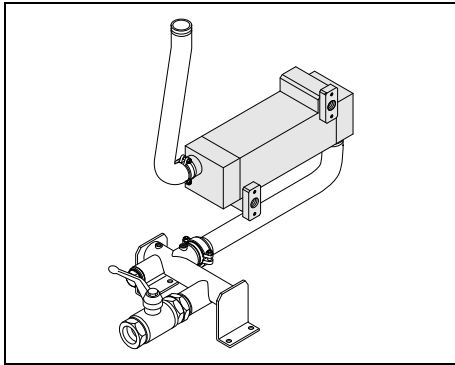
To fasten the compressor to the vehicle it is transported with tie down loops are attached to the axle of the compressor.

ROAD SIGNALISATION



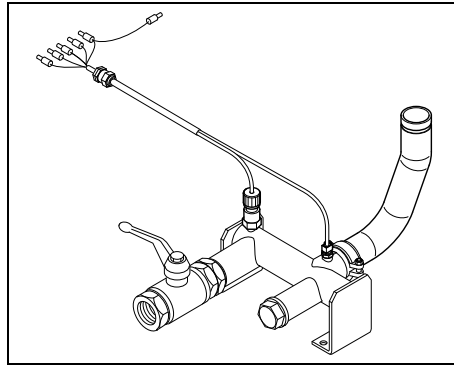
On-road bumper bars and lights can be specified in accordance with local legislation.

REHEATER PACKAGE



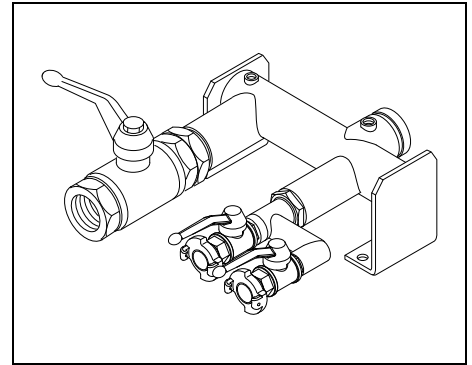
For quality dry air, a reheater can be fitted in combination with the aftercooler. This allows air quality to be delivered at ambient +60°C.

ADDITIONAL SENSORS IN OUTLET



For applications where the air outlet temperature is important additional sensors can be installed in the manifold.

ADDITIONAL MANIFOLD



For more flexibility it is possible to have additional outlets installed.

Technical specifications

TORQUE VALUES

GENERAL TORQUE VALUES

The following tables list the recommended torques applied for general applications at assembly of the compressor.

For hexagon screws and nuts with strength grade 8.8

Thread size	Torque value (Nm / lbf.ft)
M6	9 (7)
M8	23 (17)
M10	46 (35)
M12	80 (60)
M14	125 (93)
M16	205 (152)

For hexagon screws and nuts with strength grade 12.9

Thread size	Torque value (Nm / lbf.ft)
M6	15 (12)
M8	39 (29)
M10	78 (58)
M12	135 (100)
M14	210 (155)
M16	345 (255)

CRITICAL TORQUE VALUES

Assemblies	Torque value (Nm / lbf.ft)
Axles to frame:	
Wheel nuts	270 (200)
Bolts, front axle/frame	205 (152)
Bolts, rear axle/frame	205 (152)
Compressor to frame:	
Bolts, elements/gear casing	46 (34)
Bolts, elements/support	80 (60)
Bolts, support/buffer	205 (152)
Bolts, buffer/frame	80 (60)
Engine to frame:	
Bolts, engine/support	205 (152)
Bolts, support/buffer	46 (34)
Bolts, buffer/frame	23 (17)
Lifting beams to frame:	
Bolts, lifting beams/yoke (M12)	125 (93)
Bolts, lifting beams/yoke (M16)	205 (152)
Bolts, lifting beams/A-Frames	205 (152)
Bolts, A-Frames/frame	205 (152)
Hose clamps:	
Pebra hose clamps on all IC/radiator hoses	12 (9)



Secure the drain cock and tank cap of the fuel tank handtight.

COMPRESSOR / ENGINE SPECIFICATIONS

REFERENCE CONDITIONS

Designation		XRHS 506 Cd - XRHS 1100 CD6	XRVS 476 Cd - XRVS 1000 CD6
Absolute inlet pressure	bar(e)	1	1
	psi	14.5	14.5
Relative air humidity	%	0	0
Air inlet temperature	°C	20	20
	°F	68	68
Nominal effective working pressure	bar(e)	20	25
	psi	290	363

The inlet conditions are specified at the air inlet grating outside the canopy.

LIMITATIONS

Designation		XRHS 506 Cd - XRHS 1100 CD6	XRVS 476 Cd - XRVS 1000 CD6
Minimum effective receiver pressure	bar(e)	12.5	15.5
	psi	182	225
Maximum effective receiver pressure, compressor unloaded	bar(e)	22	27
	psi	319	392
Maximum ambient temperature at sea level	without aftercooler	°C	50
		°F	122
	with aftercooler	°C	45
		°F	113
Minimum starting temperature	°C	-10	-10
	°F	14	14
Minimum starting temperature, with coldstart equipment	°C	-25	-25
	°F	-13	-13
Altitude capability	see separate curve on page 93		

PERFORMANCE DATA

At reference conditions, if applicable, and at normal shaft speed, unless otherwise stated.

Designation			XRHS 506 Cd - XRHS 1100 CD6	XRVS 476 Cd - XRVS 1000 CD6
Engine shaft speed, normal and maximum		r/min	1800	1800
Engine shaft speed, compressor unloaded		r/min	1300	1300
Free air delivery (FAD) ¹⁾	without aftercooler	l/s	500	460
		cfm	1059	975
	with aftercooler	l/s	490	450
		cfm	1038	953
Fuel consumption				
- at 100% FAD	Fuel expert	kg/h	62.3	62.1
		lb/h	137.4	136.9
	No Fuel expert	kg/h	62.3	62.1
		lb/h	137.4	136.9
- at 75% FAD	Fuel expert	kg/h	46.8	47
		lb/h	103.2	103.6
	No Fuel expert	kg/h	55.4	55.4
		lb/h	122.1	122.1
- at 50% FAD	Fuel expert	kg/h	38.8	39.2
		lb/h	85.5	86.4
	No Fuel expert	kg/h	46.8	47.2
		lb/h	103.2	104.1
- at 25% FAD	Fuel expert	kg/h	33.9	34.6
		lb/h	74.7	76.3
	No Fuel expert	kg/h	35.9	36.7
		lb/h	79.2	80.9
- at unload	Fuel expert	kg/h	29	30.2
		lb/h	63.9	66.6
	No Fuel expert	kg/h	29	30.2
		lb/h	63.9	66.6

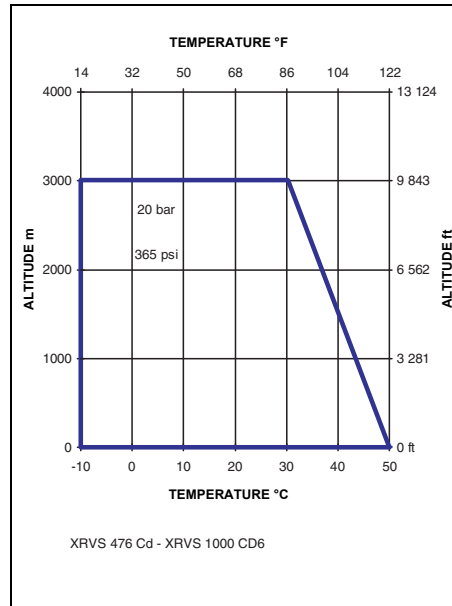
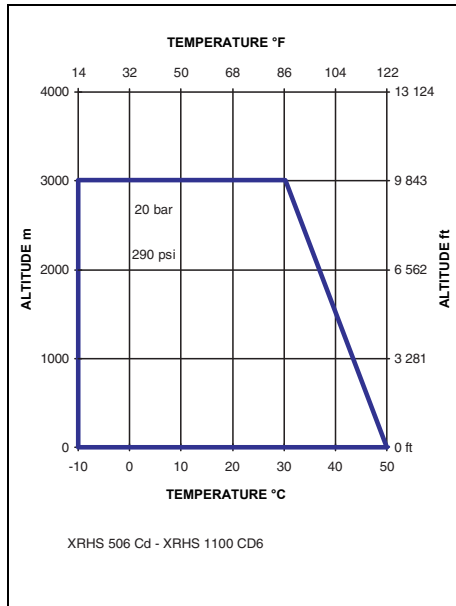
Designation		XRHS 506 Cd - XRHS 1100 CD6	XRVS 476 Cd - XRVS 1000 CD6
Specific fuel consumption	g/m ³	34.6	37.5
	lb/1000 cu.ft		
Typical oil content of compressed air	mg/m ³	< 3	< 3
	oz/1000 cu.ft	0.003	0.003
Engine oil consumption (maximum)	g/h	155.8	155.3
	oz/h	5.5	5.5
Compressed air temperature at outlet valve	°C	110	110
	°F	230	230
Noise level			
- Sound pressure level (LP), complies with ISO 2151/ EPA under free field conditions at 7 m distance	dB(A)	72/76	72/76
- Sound power level (LW) complies with 2000/14/EC	dB(A)	100	100
- Sound power level (LW) complies with 84/533/EEC and 85/406/EEC limits	dB(A)	104	104

¹⁾ Free air delivery is measured according to ISO 1217 ed.3 1996 annex D

Tolerance:	<ul style="list-style-type: none"> • +/- 5% 25 l/s (53 cfm) < FAD < 250 l/s (530 cfm) • +/- 4% 250 l/s (530 cfm) < FAD
The international standard ISO 1217 corresponds to following national standards:	<ul style="list-style-type: none"> • British BSI 1571 part 1 • German DIN 1945 Part 1 • Swedish SS-ISO 1217 • American ANSI PTC9

ALTITUDE UNIT PERFORMANCE CURVE

Max. allowable working pressure as a function altitude and ambient temperature.



DESIGN DATA

Compressor

Designation	
Number of compression stages	2

Engine

Designation		All units
Make		Caterpillar
Type		C13 Tier 3
Coolant		Liquid
Number of cylinders		6
Bore	mm	130
	in	5.1
Stroke	mm	157
	in	6.2
Swept volume	l	12.5
	cu.in	764
Output acc. to DIN 6271 at normal shaft speed	kW	317.8
	hp	426.2
- Load factor ¹⁾	%	70

Designation		All units
Capacity of oil sump:		
- Initial fill	l	44
	US gal	11.6
- Refill (max.) ²⁾	l	42
	US gal	11.1
Capacity of cooling system	l	60
	US gal	15.9

¹⁾ Typical average load factor.

²⁾ With filter change.

Unit

Designation		All units
Capacity of compressor oil system	l	75
	US gal	19.8
Net capacity of air receiver	l	143
	US gal	37.7
Capacity of fuel tanks wagon / tandem	l	796 / 538
	US gal	210 / 142
Air volume at inlet grating (approx.) ¹⁾	m ³ /s	14.6
	cfm	3.0 x 10 ⁴

¹⁾ Air required for engine and compressor element cooling, for combustion and for compression.

Electric refuel pump

Designation		All units
Flow rate *)	l/m	50
	US gal/m	13
Self priming *) from dry up to	m	2.4
	ft	7.8

*) Fuel temperature max 40 °C (104 °F)

Remote control

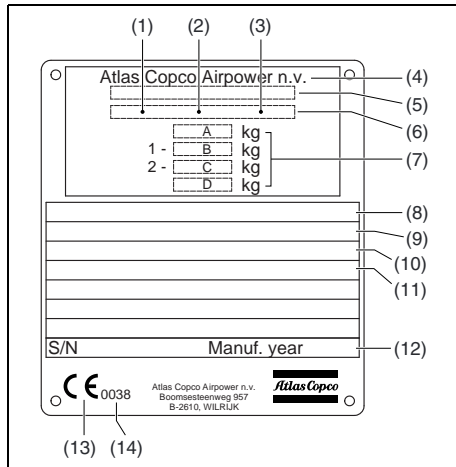
Designation		All units
Range *)	m	200
	ft	656

*) Obstacles and position of user in relation to receiver (at the rear of the unit) will reduce the range.

Compressor dimensions

Designation		All units
Length	m	5640
	inch	220
Width	m	2100
	inch	81.9
Height	m	2460
	inch	95.9
Weight (ready-to-operate)		See indication on data plate

Dataplate



- 1 Company code
- 2 Product code
- 3 Unit serial number
- 4 Name of the manufacturer
- 5 EEC or national type approval number
- 6 Vehicle identification number
- 7 Wagon undercarriage
 - A Maximum permitted total weight of the vehicle
 - B Maximum permitted front axle load
 - C Maximum permitted rear axle load
- Tandem undercarriage
 - A Maximum permitted total weight of the vehicle
 - B Maximum permitted axle load
 - C Maximum permitted load on the towing eye
- 8 Model
- 9 Working pressure
- 10 Speed
- 11 Engine power
- 12 Manufacturing year
- 13 CE mark in accordance with Machine Directive 89/392 EC
- 14 Register number or number of notified body

Legislation

PARTS, SUBJECTED TO PRESSURE EQUIPMENT DIRECTIVE 97/23/EC, CAT. II AND ABOVE

Safety valve: cat. IV

Designation		XRHS 506 Cd - XRHS 1100 CD6	XRVS 476 Cd - XRVS 1000 CD6
Set pressure	bar(e)	25	30
	psi	363	435
Design temperature	°C	130	130
	°F	266	266

Air Oil separator

Designation		Standard	Cold start equipment
Design pressure	bar(e)	30	30
	psi	435	435
Design temperature max.	°C	130	130
	°F	266	266
Design temperature min.	°C	-10	-25
	°F	14	-13
Volume	l	143	143
	US gal	37.7	37.7
	Imp gal	31.5	31.5
	cu.ft	5	5

PARTS, SUBJECTED TO CAT. I AND COVERED BY THE MACHINE DIRECTIVE 89/392/EC

All other parts

PARTS, SUBJECTED TO ART. I, PARAGRAPH 3.3

All other parts

Disposal

GENERAL

When developing products and services, Atlas Copco tries to understand, address, and minimize the negative environmental effects that the products and services may have, when being manufactured, distributed, and used, as well as at their disposal.

Recycling and disposal policy are part of the development of all Atlas Copco products. Atlas Copco company standards determine strict requirements.

Selecting materials the substantial recyclability, the disassembly possibilities and the separability of materials and assemblies are considered as well as the environmental perils and dangers to health during the recycling and disposal of the unavoidable rates of not recyclable materials.

Your Atlas Copco compressor consists for the most part of metallic materials, that can be remelted in steelworks and smelting works and that is therefore almost infinite recyclable. The plastic used is labelled; sorting and fractioning of the materials for recycling in the future is foreseen.



This concept can only succeed with your help. Support us by disposing professionally. By assuring a correct disposal of the product you help to prevent possible negative consequences for environment and health, that can occur with an inappropriate waste handling.

Recycling and re-usage of material helps to preserve natural resources.

DISPOSAL OF MATERIALS

Dispose contaminated substances and material separately, according to local applicable environmental legislations.

Before dismantling a machine at the end of its operating lifetime drain all fluids and dispose of according the applicable local disposal regulations.

Remove the batteries. Do not throw batteries into the fire (explosion risk) or into the residual waste. Separate the machine into metal, electronics, wiring, hoses, insulation and plastic parts.

Dispose all components according to the applicable disposal regulations.

Remove spilled fluid mechanically; pick up the rest with absorbing agent (for example sand, sawdust) and dispose it according the applicable local disposal regulations. Do not drain into the sewage system or surface water.

Following documents are provided with this unit:

- Test Certificate
- EC Declaration of Conformity:

Atlas Copco

EC DECLARATION OF CONFORMITY

1

2 We, Atlas Copco Airpower n.v., declare under our sole responsibility, that the product

3 Machine name : **Compressor (< 350 kW)**

4 Commercial name : ..

5 Serial number : ..

6 Which falls under the provisions of article 12.2 of the EC Directive 2006/42/EC on the approximation of the laws of the Member States relating to machinery, is in conformity with the relevant Essential Health and Safety Requirements of this directive.

The machinery complies also with the requirements of the following directives and their amendments as indicated.

7

Directive on the approximation of laws of the Member States relating to	Harmonized and/or Technical Standards used	Attachment
8 Pressure equipment	97/23/EC	X
9 Machinery safety	2006/42/EC EN ISO 12100-1 EN ISO 12100-2 EN 1012-1	
10 Simple pressure vessel	87/404/EEC	X
11 Electromagnetic compatibility	2004/108/EC EN 61000-6-2 EN 61000-6-4	
12 Low voltage equipment	2006/95/EC EN 60034 EN 60204-1 EN 60439	
13 Outdoor noise emission	2000/14/EC ISO 3744	X

14 The harmonized and the technical standards used are identified in the attachments hereafter

15 Atlas Copco Airpower n.v. is authorized to compile the technical file

16

17	18 Conformity of the specification to the Directives	19 Conformity of the product to the specification and by implication to the directives
20 Issued by	Product engineering	Manufacturing
21 Name		
22 Signature		
23 Place , Date		

24

25

26

27

28

29

30

31

32

33

34

35

36

37

38

39

40

41

42

43

44

45

46

47

48

49

50

51

52

53

54

55

56

57

58

59

60

61

62

63

64

65

66

67

68

69

70

71

72

73

74

75

76

77

78

79

80

81

82

83

84

85

86

87

88

89

90

91

92

93

94

95

96

97

98

99

100

101

102

103

104

105

106

107

108

109

110

111

112

113

114

115

116

117

118

119

120

121

122

123

124

125

126

127

128

129

130

131

132

133

134

135

136

137

138

139

140

141

142

143

144

145

146

147

148

149

150

151

152

153

154

155

156

157

158

159

160

161

162

163

164

165

166

167

168

169

170

171

172

173

174

175

176

177

178

179

180

181

182

183

184

185

186

187

188

189

190

191

192

193

194

195

196

197

198

199

200

201

202

203

204

205

206

207

208

209

210

211

212

213

214

215

216

217

218

219

220

221

222

223

224

225

226

227

228

229

230

231

232

233

234

235

236

237

238

239

240

241

242

243

244

245

246

247

248

249

250

251

252

253

254

255

256

257

258

259

260

261

262

263

264

265

266

267

268

269

270

271

272

273

274

275

276

277

278

279

280

281

282

283

284

285

286

287

288

289

290

291

292

293

294

295

296

297

298

299

300

301

302

303

304

305

306

307

308

309

310

311

312

313

314

315

316

317

318

319

320

321

322

323

324

325

326

327

328

329

330

331

332

333

334

335

336

337

338

339

340

341

342

343

344

345

346

347

348

349

350

351

352

353

354

355

356

357

358

359

360

361

362

363

364

365

366

367

368

369

370

371

372

373

374

375

376

377

378

379

380

381

382

383

384

385

386

387

388

389

390

391

392

393

394

395

396

397

398

399

400

401

402

403

404

405

406

407

408

409

410

411

412

413

414

415

416

417

418

419

420

421

422

423

424

425

426

427

428

429

430

431

432

433

434

435

436

437

438

439

440

441

442

443

444

445

446

447

448

449

450

451

452

453

454

455

456

457

458

459

460

461

462

463

464

465

466

467

468

469

470

471

472

473

474

475

476

477

478

479

480

481

482

483

484

485

486

487

488

489

490

491

492

493

494

495

496

497

498

499

500

501

502

503

504

505

506

507

508

509

510

511

512

513

514

515

516

517

518

519

520

521

522

523

524

525

526

527

528

529

530

531

532

533

534

535

536

537

538

539

540

541

542

543

544

545

546

547

548

549

550

551

552

553

554

555

556

557

558

559

560

561

562

563

564

565

566

567

568

569

570

571

572

573

574

575

576

577

578

579

580

581

582

583

584

585

586

587

588

589

590

591

592

593

594

595

596

597

598

599

600

601

602

603

604

605

606

607

608

609

610

611

612

613

614

615

616

617

618

619

620

621

622

623

624

625

626

627

628

629

630

631

632

633

634

635

636

637

638

639

640

641

642

643

644

645

646

647

648

649

650

651

652

653

654

655

656

657

658

659

660

661

662

663

664

665

666

667

668

669

670

671

672

673

674

675

676

677

678

679

680

681

682

683

684

685

686

687

688

689

690

691

692

693

694

695

696

697

698

699

700

701

702

703

704

705

706

707

708

709

710

711

712

713

714

715

716

717

718

719

720

721

722

723

724

725

726

727

728

729

730

731

732

733

734

735

736

737

738

739

740

741

742

743

744

745

746

747

748

749

750

751

752

753

754

755

756

757

758

759

760

761

762

763

764

765

766

767

768

769

770

771

772

773

774

775

776

777

778

779

780

781

782

783

784

785

786

787

788

789

790

791

792

793

794

795

796

797

798

799

800

801

802

803

804

805

806

807

808

809

810

811

812

813

814

815

816

817

818

819

820

821

822

823

824

825

826

827

828

829

830

831

832

833

834

835

836

837

838

839

840

841

842

843

844

845

846

847

848

849

850

851

852

853

854

855

856

857

858

859

860

861

862

863

864

865

866

867

868

869

870

871

872

873

874

875

876

877

878

879

880

881

882

883

884

885

886

887

888

889

890

891

892

893

894

895

896

897

898

899

900

901

902

903

904

905

906

907

908

909

910

911

912

913

914

915

916

917

918

919

920

921

922

923

924

925

926

927

928

929

930

931

932

933

934

935

936

937

938

939

940

941

942

943

944

945

946

947

948

949

950

951

952

953

954

955

956

957

958

959

960

961

962

963

964

965

966

967

968

969

970

971

972

973

974

975

976

977

978

979

980

981

982

983

984

985

986

987

988

989

990

991

992

993

994

995

996

997

998

999

1000

1001

1002

1003

1004

1005

1006

1007

1008

1009

1010

1011

1012

1013

1014

1015

1016

1017

1018

1019

1020

1021

1022

1023

1024

1025

1026

1027

1028

1029

1030

1031

1032

1033

1034

1035

1036

1037

1038

1039

1040

1041

1042

1043

1044

1045

1046

1047

1048

1049

1050

1051

1052

1053

1054

1055

1056

1057

1058

1059

1060

1061

1062

1063

1064

1065

1066

1067

1068

1069

1070

1071

1072

1073

1074

1075

1076

1077

1078

1079

1080

1081

1082

1083

1084

1085

1086

1087

1088

1089

1090

1091

1092

1093

1094

1095

1096

1097

1098

1099

1100

1101

1102

1103

1104

1105

1106

1107

1108

1109

1110

1111

1112

1113

1114

1115

1116

1117

1118

1119

1120

1121

1122

1123

1124

1125

1126

1127

1128

1129

1130

1131

1132

1133

1134

1135

1136

1137

1138

1139

1140

1141

1142

1143

1144

1145

1146

1147

1148

1149

1150

1151

1152

1153

1154

1155

1156

1157

1158

1159

1160

1161

1162

1163

1164

1165

1166

1167

1168

1169

1170

1171

1172

1173

1174

1175

1176

1177

1178

1179

1180

1181

1182

1183

1184

1185

1186

1187

1188

1189

1190

1191

1192

1193

1194

1195

1196

1197

1198

1199

1200

1201

1202

1203

1204

1205

1206

1207

1208

1209

1210

1211

1212

1213

1214

1215

1216

1217

1218

1219

1220

1221

1222

1223

1224

1225

1226

1227

1228

1229

1230

1231

1232

1233

1234

1235

1236

1237

1238

1239

1240

1241

1242

1243

1244

1245

1246

1247

1248

1249

1250

1251

1252

1253

1254

1255

1256

1257

1258

1259

1260

1261

1262

1263

1264

1265

1266

1267

1268

1269

1270

1271

1272

1273

1274

1275

1276

1277

1278

1279

1280

1281

1282

1283

1284

1285

1286

1287

1288

1289

1290

1291

1292

1293

1294

1295

1296

1297

1298

1299

1300

1301

1302

1303

1304

1305

1306

1307

1308

1309

1310

1311

1312

1313

1314

1315

1316

1317

1318

1319

1320

1321

1322

1323

1324

1325

1326

1327

1328

1329

1330

1331

1332

1333

1334

1335

1336

1337

1338

1339

1340

1341

1342

1343

1344

1345

1346

1347

1348

1349

1350

1351

1352

1353

1354

1355

1356

1357

1358

1359

1360

1361

1362

1363

1364

1365

1366

1367

1368

1369

1370

1371

1372

1373

1374

1375

1376

1377

1378

1379

1380

1381

1382

1383

1384

1385

1386

1387

1388

1389

1390

1391

1392

1393

1394

1395

1396

1397

1398

1399

1400

1401

1402

1403

1404

1405

1406

1407

1408

1409

1410

1411

1412

1413

1414

1415

1416

1417

1418

1419

1420

1421</

Notes

