

# Atlas Copco Stationary Air Compressors

GA5 - GA7 - GA11C

## Parts list

From following serial No. onwards :  
AII-130 000

- Copyright 2000, Atlas Copco Airpower n.v., Antwerp, Belgium.  
Any unauthorized use or copying of the contents or any part thereof is prohibited.  
This applies in particular to trademarks, model denominations, part numbers and drawings.
- **Use only authorized parts.** Any damage or malfunction caused by the use of unauthorized parts is not covered by Warranty or Product Liability.

No. 2930 1314 00

Registration code : APC G5-11C/2000 / 39 / 987

2000-09

[www.atlascopco.com](http://www.atlascopco.com)



\* 2 9 3 0 1 3 1 4 0 0 \*

**Atlas Copco**

Contents  
Inhoud  
Innehåll  
Inhaltsverzeichnis  
Table des matières  
Indice

Indice  
Innehållsförteckning  
Indice  
Indholdsfortegnelse  
Sisällysluettelo

Drive arrangement Aandrijfuitvoering Drivarrangemang Antriebsanordnung Dispositif d'entraînement Disposición de accionamiento Disposizione di azionamento Arrangement Disposição de accionamento Drivarrangement Rakenne .....	1	Regulating system Regelsysteem Reglersystem Regelsystem Système de régulation Sistema de regulación Sistema di regolazione Reguleringsystem Sistema de regulação Reguleringsystem Säätöjärjestelmä  - Pack version .....	5
Air receiver and delivery pipes Luchtketel en drukpijpen Luftbehållare och utloppsror Luftbehälter und Druckleitungen Réservoir d'air et tuyaux de refoulement Depósito de aire y tubos de descarga Serbatoio dell'aria e tubi della mandata Oliebeholder og udløbsrør Reservatório de ar e tubagem de descarga Luftbeholder og utløpsrør Ilmasäiliö ja paineilmaputket .....	2	- Full-feature .....	6
Oil system Oliesysteem Oljesystem Ölssystem Système d'huile Sistema de aceite Sistema dell'olio Oliesystem Sistema de óleo Oljesystem Voitelujärjestelmä .....	3	- Standard Pack .....	7
Unloading valve Ontlastventiel Avlastningsventil Entlastungsventil Soupape de décharge Válvula de descarga Valvola di messa a vuoto Aflastningsventil Válvula de descarga Avlastningsventil Kevennysventtiili .....	4	- Standard Pack Full-feature .....	8
		Air dryer Luchtdroger Lufttorkare Lufttrockner Sécheur d'air Secador de aire Essiccatore d'aria Lufttørrer Secador de ar Lufttørker Kuivain .....	9
		Start cubicle - star/delta Startkast - ster/driehoek Startskåp - stjärn/triangel Anlaßschrank - Stern/Dreieck Armoire de démarrage - étoile/triangle Cubículo de arranque - estrella/triángulo Armadio apparecch. di avviamento - stella/triangolo Starterskab - stjerne/trekant Cubículo-arranque estrela/triângulo Startskap - stjerne-trekant Käynnistinkotelo - Y/D  - Pack/Full-feature .....	10
		- Standard Pack .....	11
		- Standard Pack Full-feature + Electropneumatic (Japan) .....	12

## Contents

Inhoud

Innehåll

Inhaltsverzeichnis

Table des matières

Indice

Indice

Innholdsfortegnelse

Indice

Indholdsfortegnelse

Sisällysluettelo

Start cubicle - DOL  
 Startkast - directe starter  
 Startskåp - direkt startutrustning  
 Anlaßschrank - Direktschaltung  
 Armoire de démarrage - démarreur direct  
 Cubículo de arranque - arrancador directo  
 Armadio apparecch. di avviamento - DOL (= diretto in linea)  
 Starterskab-DOL (direkte start)  
 Cubículo-Arranque directo  
 Startskap - direkte start  
 Käynnistinkotelo - suora käynnistys

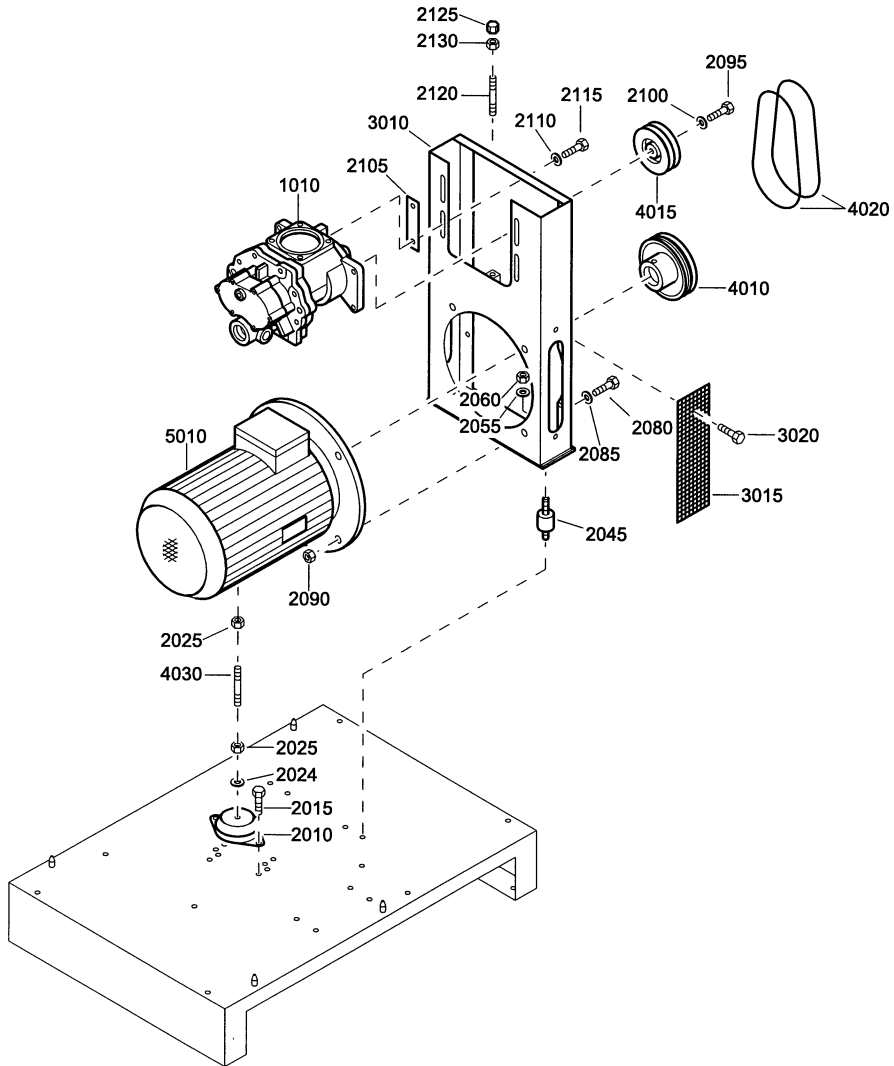
- Pack/Full-feature CSA/UL ..... 13  
 - Standard Pack CSA/UL ..... 14

Bodywork  
 Carrosserie  
 Karosseri  
 Karosserie  
 Capotage  
 Carrocería  
 Cappottatura  
 Karosseri  
 Carroceria  
 Kabinett  
 Kotelo ..... 15

Modulating control (Optional)  
 Modulatíecontrole  
 Moduleringskontroll  
 Modulationskontrolle  
 Contrôle de la modulation  
 Control de modulación  
 Controllo continuo  
 Modulationsstyring  
 Controlo de modulação  
 Modulaşjonsregulering  
 Modulointisäättö ..... 16

Service kits  
 Service kits  
 Service kits  
 Service Kits  
 Service kits  
 Service kits  
 Kit per la manutenzione  
 Service kits  
 Conjuntos de reparação  
 Servicesett  
 Huoltotarvikesarjat ..... 17

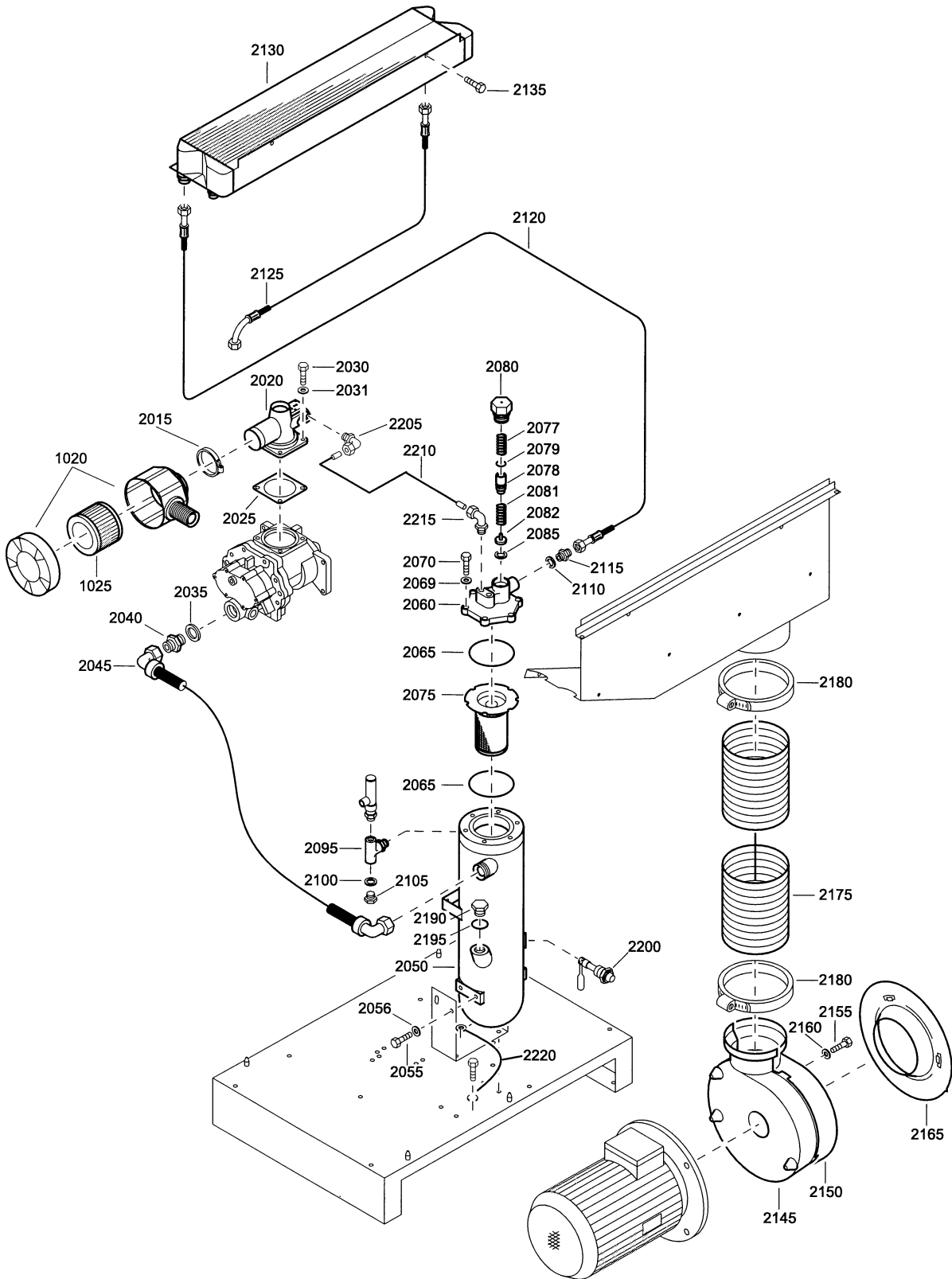
1



## Drive arrangement

Ref.	Part number	Qty	Name	Remarks	Ref.	Part number	Qty	Name	Remarks
1010	2989 0164 00	1	Service stage		1080	2967 06		380V/60Hz	
2010	1613 6752 01	1	Antivibr.pad		1080	2967 07		575V/60Hz	
2015	1619 2766 00	2	Bolt			<b>GA7</b>		<b>Leroy Somer</b>	
2024	0301 2344 00	1	Washer					<b>LS 132M 7,5 kW</b>	
2025	0266 2111 00	2	Nut		1080	2968 01		200V/50Hz, 200V/60Hz	
2045	1513 0420 00	2	Antivibr.pad		1080	2968 02		230V/50Hz	
2055	0301 2335 00	2	Washer		1080	2968 03		400V/50Hz	
2060	0266 2110 00	2	Nut		1080	2968 04		500V/50Hz	
2080	0147 1402 03	4	Hexagon bolt		1080	2968 05		220-230V/60Hz,	
2085	0301 2358 00	4	Washer					440-460V/60Hz	
2090	0266 2112 00	4	Nut		1080	2968 06		380V/60Hz	
2095	0211 1964 06	1	Hex sock. screw		1080	2968 07		575V/60Hz	
2100	0301 2344 00	1	Washer			<b>GA11C</b>		<b>Leroy Somer</b>	
2105	1613 9069 00	2	Plate					<b>LS 132M 11 kW</b>	
2110	0303 1274 01	4	Washer		1080	2969 01		200V/50Hz, 200V/60Hz	
2115	0147 1326 03	4	Hexagon bolt		1080	2969 02		230V/50Hz	
2120	0248 9980 32	1	Threaded rod		1080	2969 03		400V/50Hz	
2125	1613 9075 00	1	Bush		1080	2969 04		500V/50Hz	
2130	0266 2111 00	1	Nut		1080	2969 05		220-230V/60Hz,	
	<b>1613 9068 80</b>	<b>1</b>	<b>Support ass'y</b>					440-460V/60Hz	
3010	1613 9068 00	• 1	Support		1080	2969 06		380V/60Hz	
3015	1613 9074 00	• 1	Plate (perforat)		1080	2969 07		575V/60Hz	
3020	1619 2766 00	• 2	Bolt						
4010		1	Pulley		1)	GA5-7,5 bar			
	1613 9030 05		1)32)		2)	GA5-8 bar			
	1613 9030 04		3)14)19)20)26)27)31)		3)	GA5-10 bar			
	1613 9030 03		4)33)		4)	GA5-13 bar			
	1613 9030 07		5)23)24)25)35)36)		5)	GA7-7,5 bar			
	1613 9030 09		7)37)		6)	GA7-8 bar			
	1613 9030 06		2)8)18)30)		7)	GA7-10 bar			
	1613 9030 10		9)11)		8)	GA7-13 bar			
	1613 9030 11		10)12)34)		9)	GA11C-7,5 bar			
	1613 9030 08		6)21)22)		10)	GA11C-8 bar			
	1613 9030 12		13)		11)	GA11C-10 bar			
	1613 9030 02		15)16)28)		12)	GA11C-13 bar			
	1613 9030 13		17)		13)	GA5-100 psi			
	1613 9030 01		29)		14)	GA5-125 psi			
4015		1	Pulley		15)	GA5-150 psi			
	1613 9031 02		1)8)9)10)17)18)19)30)31)		16)	GA5-175 psi			
	1613 9031 03		2)3)11)13)20)21)32)33)		17)	GA7-100 psi			
	1613 9031 04		4)6)7)14)16)24)25)27)28)		18)	GA7-125 psi			
			29)36)37)		19)	GA7-150 psi			
	1613 9031 01		5)12)15)22)23)26)34)35)		20)	GA7-175 psi			
4020		1	V-belt (set)		21)	GA11C-100 psi			
	1613 9032 02		1)2)3)4)8)13)14)15)16)17)		22)	GA11C-125 psi			
			18)19)20)26)27)28)29)30)		23)	GA11C-150 psi			
			31)32)33)		24)	GA11C-175 psi			
	1613 9032 01		5)6)7)9)10)11)12)21)22)		25)	GA7 HAV-7,5 bar			
			23)24)25)34)35)36)37)		26)	GA5 HAV-100 psi			
4030		1	Threaded rod		27)	GA5 HAV-125 psi			
	0248 9979 30		1)2)3)4)13)14)15)16)		28)	GA5 HAV-150 psi			
			26)27)28)29)		29)	GA5 HAV-175 psi			
	0248 9980 43		5)6)7)8)9)10)11)12)17)18)		30)	GA7 HAV-100 psi			
			19)20)21)22)23)24)25)30)		31)	GA7 HAV-125 psi			
			31)32)33)34)35)36)37)		32)	GA7 HAV-150 psi			
5010		1	Motor		33)	GA7 HAV-175 psi			
	<b>GA5</b>		<b>Leroy Somer</b>		34)	GA11C HAV-100 psi			
			<b>LS 132S 5,5 kW</b>		35)	GA11C HAV-125 psi			
	1080 2967 01		200V/50Hz, 200V/60Hz		36)	GA11C HAV-150 psi			
	1080 2967 02		230V/50Hz		37)	GA11C HAV-175 psi			
	1080 2967 03		400V/50Hz						
	1080 2967 04		500V/50Hz		HAV	High ambient version			
	1080 2967 05		220-230V/60Hz,						
			440-460V/60Hz						

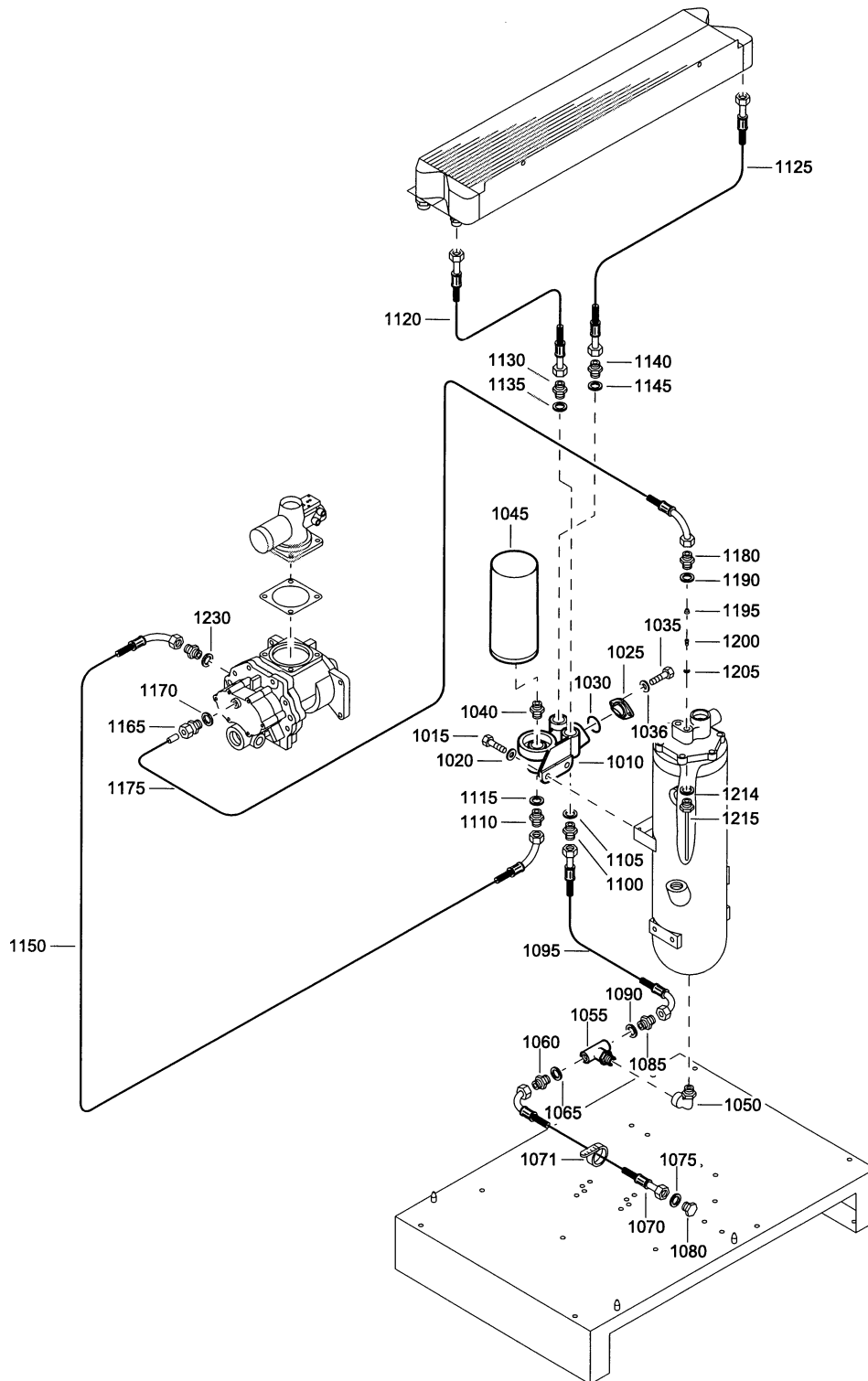
2



## Air receiver and delivery pipes

Ref.	Part number	Qty	Name	Remarks	Ref.	Part number	Qty	Name	Remarks
	<b>1613 9000 80</b>	<b>1</b>	<b>Air filter assembly</b>		2085	0653 9167 00	1	Gasket	
1020	1613 9000 00	• 1	Air filter housing		2095	1503 2566 21	1	Tee	
1025	1613 9001 00	• 1	Air filter element		2100	0653 1062 00	1	Flat gasket	
2015	0347 6113 00	1	Hose clip		2105	0686 3716 01	1	Hexagon plug	
<b>2020</b>	<b>&lt;&lt;&lt; &gt;&gt;&gt;</b>	<b>1</b>	<b>Unloader valve</b>		2110	0661 1000 27	1	Seal washer	
2025	1613 9010 00	1	Gasket		2115	1079 5840 15	1	Nipple	
2030	0147 1323 03	4	Hexagon bolt		2120	0574 9910 04	1	Hose assembly	
2031	0301 2335 00	4	Washer		2125	0574 9918 07	1	Hose assembly	
2035	0661 1000 30	1	Seal washer		2130	1613 9035 00	1	Combi cooler	
2040	2250 4983 00	1	Nipple		2135	1079 1472 05	2	Bolt	
2045	1613 9011 00	1	Hose ass'y		2145	1613 9016 00	1	Fan cowl (back)	
2050	1613 9072 00	1	Vessel		2150	1613 9017 00	1	Fan cowl (front)	
2055	0147 1322 03	4	Hexagon bolt		2155	0147 1252 03	3	Hexagon bolt	
2056	0301 2335 00	4	Washer		2160	0301 2321 00	3	Washer	
2060	1613 9013 00	1	Valve housing		2165	1613 9018 00	1	Fan cowl (inlet)	
2065	0663 2107 50	2	O-ring		2175	1513 0372 00	AR	Hose	
2069	0301 2344 00	6	Washer		2180	0347 6100 15	2	Hose clip	
2070	0147 1962 68	6	Hex.head screw		2190	1202 8992 00	1	Plug	
2075	1613 9014 00	1	Separator element		2195	0663 2102 15	1	O-ring	
2077	1513 0063 00	1	Spring		2200	1613 9020 00	1	Level gauge	
2078	1513 0402 01	1	Piston		2205	0581 1200 16	1	Coupling (elbow)	
2079	0663 2105 40	1	O-ring		2210	0070 6002 04	AR	Plastic tube	
2080	9820 2280 00	1	Housing (m.p.v.)		2215	0581 1200 28	1	Coupling (elbow)	
2081	1513 0064 00	1	Spring		2220	1613 8967 01	1	Cable	
2082	1513 0401 01	1	Valve disc		2230	0226 0301 00	1	Tapping screw	

3

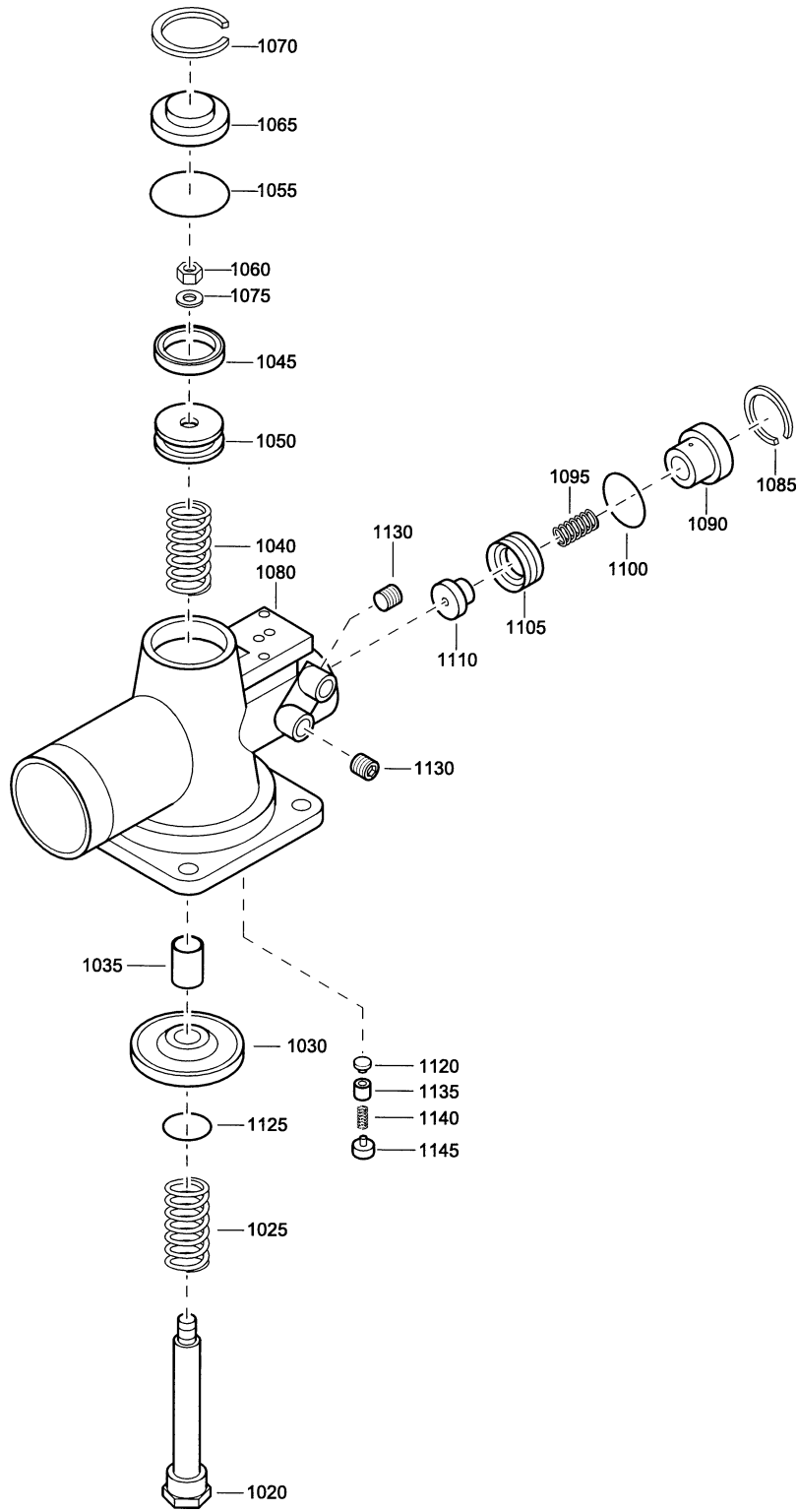




## Oil system

Ref.	Part number	Qty	Name	Remarks	Ref.	Part number	Qty	Name	Remarks
1010	1613 6883 03	1	Valve housing		1105	0661 1000 43	1	Seal washer	
1015	0147 1362 03	2	Hexagon bolt		1110	1079 5840 27	1	Hex.nipple	
1020	0301 2344 00	2	Washer		1115	0661 1000 43	1	Seal washer	
1025	1614 6118 00	1	Flange		1120	0574 9910 05	1	Hose assembly	
1030	0663 2101 95	1	O-ring		1125	0574 9910 05	1	Hose assembly	
1035	0147 1246 03	2	Hexagon bolt		1130	1079 5840 27	1	Hex.nipple	
1036	0301 2321 00	2	Washer		1135	0661 1000 43	1	Seal washer	
1040	1619 3770 00	1	Nipple		1140	1079 5840 27	1	Hex.nipple	
1045	1613 6105 00	1	Oil filter		1145	0661 1000 43	1	Seal washer	
1050	1613 9132 00	1	Elbow		1150	0574 9918 05	1	Hose assembly	
1055	0564 0000 74	1	Tee		1165	1079 5840 01	1	Nipple	
1060	1079 5840 03	1	Nipple		1170	0661 1000 42	1	Seal washer	
1065	0661 1000 40	1	Seal washer		1175	0574 9911 11	1	Hose assembly	
1070	1613 9002 00	1	Hose assembly		1180	1619 5205 00	1	Nipple	
1071	1088 1301 03	1	Cable strip		1190	0653 1062 00	1	Flat gasket	
1075	0661 1000 38	1	Seal washer		1195	1613 9004 00	1	Spring	
1080	0686 3716 01	1	Hexagon plug		1200	1613 9005 00	1	Non return valve	
1085	1079 5840 03	1	Nipple		1205	0663 2108 11	1	O-ring	
1090	0661 1000 40	1	Seal washer		1214	0653 1062 00	1	Flat gasket	
1095	0574 9911 16	1	Hose assembly		1215	1613 9006 00	1	Scavenge line	
1100	0571 0035 12	1	Nipple		1230	0661 1000 39	1	Seal washer	

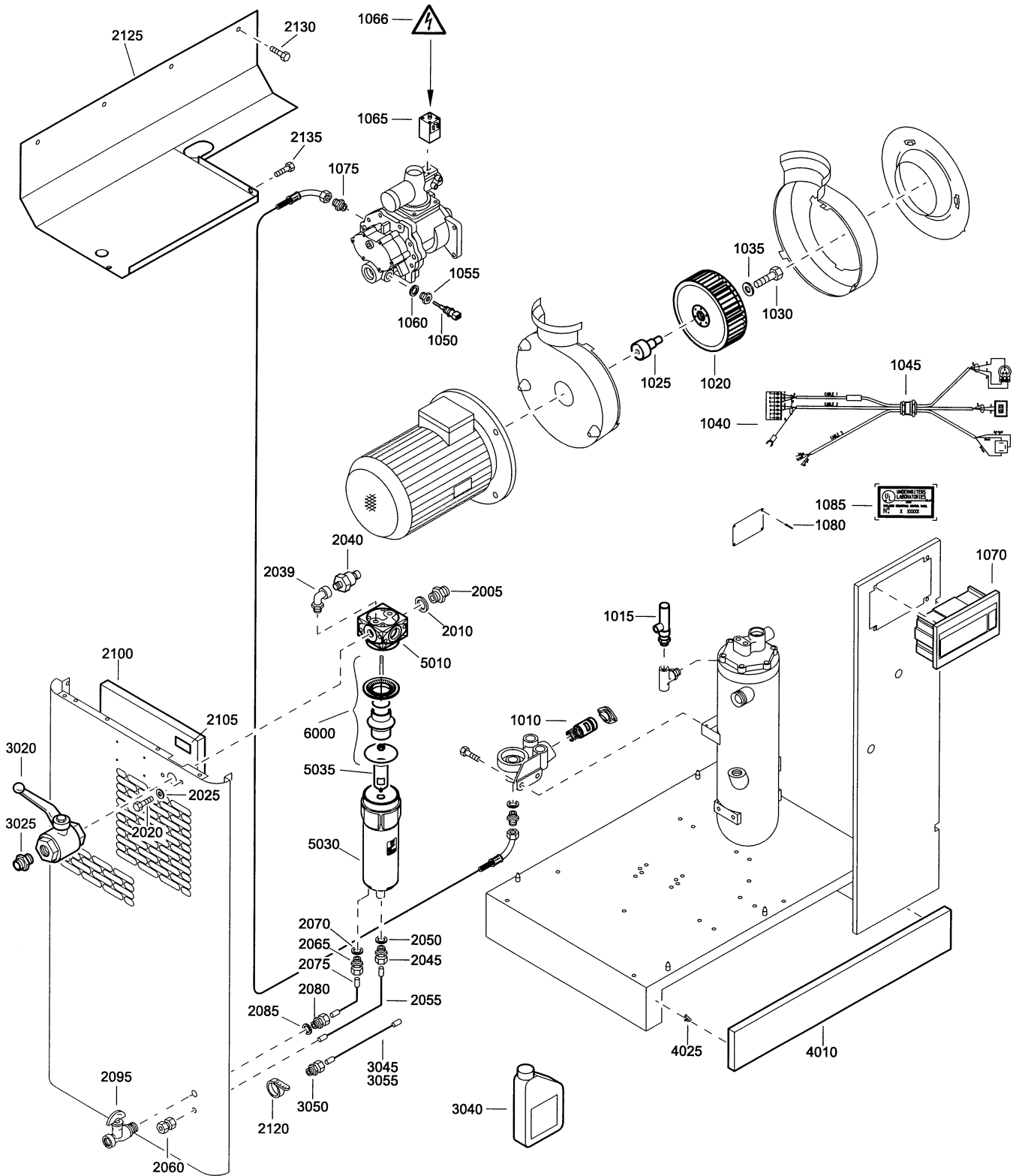
4



**Unloading valve**

Ref.	Part number	Qty	Name	Remarks	Ref.	Part number	Qty	Name	Remarks
	<b>1613 9008 85</b>	<b>1</b>	<b>Unloading valve</b>		1080		• 1	Valve housing	
	<b>1613 9008 84</b>		Modulating control			1613 9008 11		Modulating control	
			Others			1613 9008 10		Others	
1020	1613 9009 00	• 1	Piston rod		1085	0335 2130 00	• 1	Circlip	
1025	1513 0015 00	• 1	Spring		1090		• 1	Cover	
1030		• 1	Valve			1513 0534 00		Modulating control	
	1513 0476 80		Modulating control			1513 0533 00		Others	
	1513 0398 00		Others		1095	1513 0011 00	• 1	Spring	
1035	2235 3012 00	• 1	Bush		1100	0663 6129 00	• 1	O-ring	
1040	1513 0385 00	• 1	Spring		1105	1513 0532 00	• 1	Piston	
1045		• 1	Piston ring		1110	1513 0535 00	• 1	Valve seat	
	1513 0477 00		Modulating control		1120	2235 3039 00	• 1	Piston seat	
	1513 0019 00		Others		1125	0663 2105 13	• 1	O-ring	
1050		• 1	Piston		1130	0686 6126 00	• 2	Plug	1)
	1513 0472 00		Modulating control		1135	1513 0248 00	• 1	Piston	
	1513 0384 00		Others		1140	1513 0014 00	• 1	Spring	
1055	0663 7132 00	• 1	O-ring		1145	1613 9662 00	• 1	Spring retainer	
1060	0266 1110 02	• 1	Nut						
1065	1513 0382 00	• 1	Cover		1)			Not for / Niet voor / Ej för / Nicht für / Pas pour /	
1070	0335 2136 00	• 1	Circlip					No para / Non per	
1075	0301 2135 01	• 1	Washer					<b>Modulating control</b>	

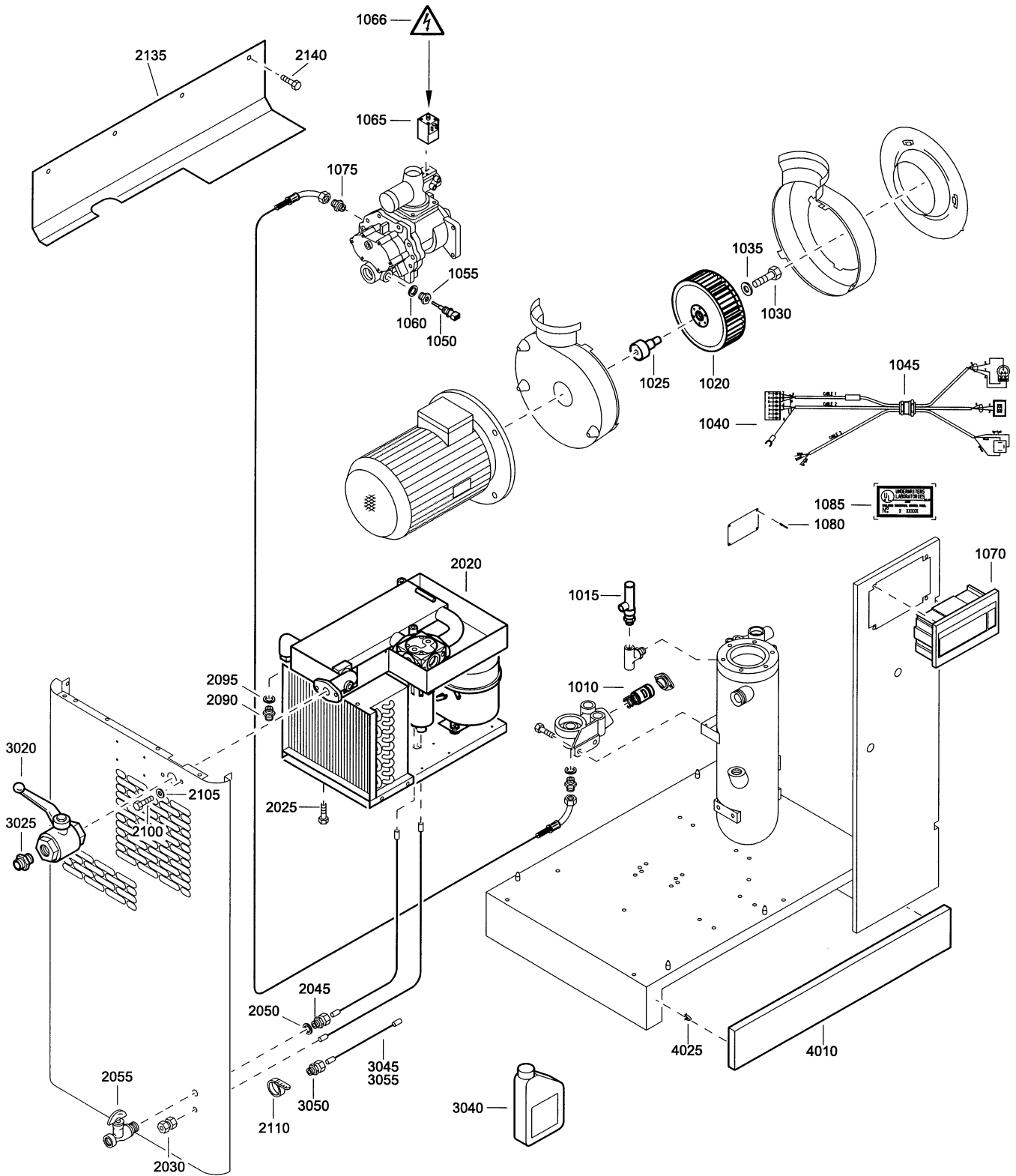
5



## Regulating system - Pack version

Ref.	Part number	Qty	Name	Remarks	Ref.	Part number	Qty	Name	Remarks
1010	1619 7493 00	1	Thermostat		1080	0129 3104 00	4	Blind rivet	(C, U)
	1619 7596 00		GA5, GA7, GA11C	(C, U)	1085	1613 5330 00	1	Listing mark	(C, U)
	1619 7333 00		GA11C		2005	1079 5840 15	1	Nipple	
1015	0830 1007 75	1	Safety valve		2010	0661 1000 39	1	Seal washer	
	0830 1007 68		9.3bar	T	2020	0147 1321 03	2	Hexagon bolt	
	0830 1007 76		11bar	T	2025	0301 2335 00	2	Washer	
	0830 1007 70		11.5bar	T	2039	0560 0200 16	1	Elbow	
			14.3bar	T	2040	1089 0575 51	1	Press.sensor	
1020	1613 9033 00	1	Fan		2045	0581 0000 35	1	Coupling	
	1613 9034 00		GA11C 50Hz		2050	0661 1000 38	1	Seal washer	
	1613 9403 00		GA5 50Hz, GA7 50Hz,		2055	0070 6002 05	AR	Plastic tube	
			GA11C 60Hz		2060	0581 0000 55	1	Pipe coupling	
1025	1613 9021 00	1	Fan adaptor		2065	0581 0000 34	1	Coupling	
	1613 9022 00		GA11C 50Hz		2070	0661 1000 38	1	Seal washer	
	1613 9404 00		GA5 50Hz, GA7 50Hz,		2075	0070 6002 04	AR	Plastic tube	
			GA11C 60Hz		2080	0581 0000 33	1	Coupling	
1030	0147 1413 03	1	Hexagon bolt		2085	0661 1000 42	1	Seal washer	
	0147 1417 03		GA11C 50Hz		2095	1613 8892 00	1	Cock	
	0147 1419 03		GA5 50Hz, GA7 50Hz,		2100	1613 9131 00	1	Foam	
			GA11C 60Hz		2105	1513 0239 00	6	Fixing strip	
1035	0301 2358 00	1	Washer		2120	1088 1301 02	1	Cable strip	
1040	1613 9025 00	1	Cable		2125	1613 9677 80	1	Silencing baffle 2)3)	
	1613 9025 01		50-60Hz		2130	0226 0301 00	4	Tapping screw	
			60Hz	(C, U)	2135	1619 2766 00	2	Bolt	
1045	1088 0302 06	1	Nut		3020	0852 0010 21	1	Ball valve	1)
	0697 9806 00		50-60Hz		3025	0603 4150 14	1	Bushing	1)-(C, U)
1050	1089 0574 04	1	Temp.sensor		3040	1613 9546 00	1	Oil can	1)
1055	0605 8995 02	1	Bushing			1613 6532 01		Japan, (C, U)	
1060	0661 1000 39	1	Seal washer			1613 6532 01		Others	
1065	1089 0621 14	1	Solenoid valve		3045	0070 6002 04	AR	Plastic tube	1)
	1089 0621 16		230V/50Hz		3050	0581 0000 33	1	Coupling	1)
	1089 0621 19		230V/60Hz		3055	0070 6002 05	AR	Plastic tube	1)
1066	1088 1001 01	1	Warning mark	(C, U)	<b>4010 1613 9063 80</b>	<b>2</b>	<b>Panel ass'y</b>	<b>1)2)</b>	
1070	1900 0700 07	1	Regulator		4025	1079 2903 01	• 2	Panel clip	
1075	1079 5840 21	1	Hexagon nipple		<b>1613 8223 80</b>	<b>1</b>	<b>Water separator</b>		
			GA5-7,5bar, GA5-8bar,					Wsd25	
			GA7-7,5bar, GA7-8bar,		5010	1613 8223 00	1	Wsd25 head	
			GA11C-7,5bar, GA11C-8bar,		5030	1613 8867 00	1	Wsd25 bowl	
			GA11C-10bar,		5035	2901 0712 00	• 1	Drain valve kit	
			GA11C-13bar,		6000	2901 0748 00	• 1	Separation kit	
			GA11C-150psi, GA5-125psi,						
			GA7-100psi, GA7-125psi,		1)			Supplied loose / Los geleverd / Levereras separat / Lose mitgeliefert / Livré séparément / Sumministrado suelto / Fornito separatamente / Leveres separat / Fornecido separadamente / Leveres separat / Toimitetaan irrallisena	
			GA11C-100psi,		2)-3)			Lined with / Bekleed met / Beklädd med / Ausgekleidet mit / Garni de / Revestido de / Allineato con / Foret med / Revestido com / Kledd med / Vuorattu	
			GA11C-125psi,		2)			Foam: 1079 0003 31 (AR) 25 x 2000 x 1500	
			GA11C-150psi,		3)			Foam: 0395 1001 99 (AR) 10 x 2000 x 1500	
			GA11C-175psi						
	1613 9023 00		GA5-10bar, GA5-13bar,						
			GA7-10bar, GA7-13bar,						
			GA5-150psi, GA5-175psi,						
			GA7-150psi, GA7-175psi						

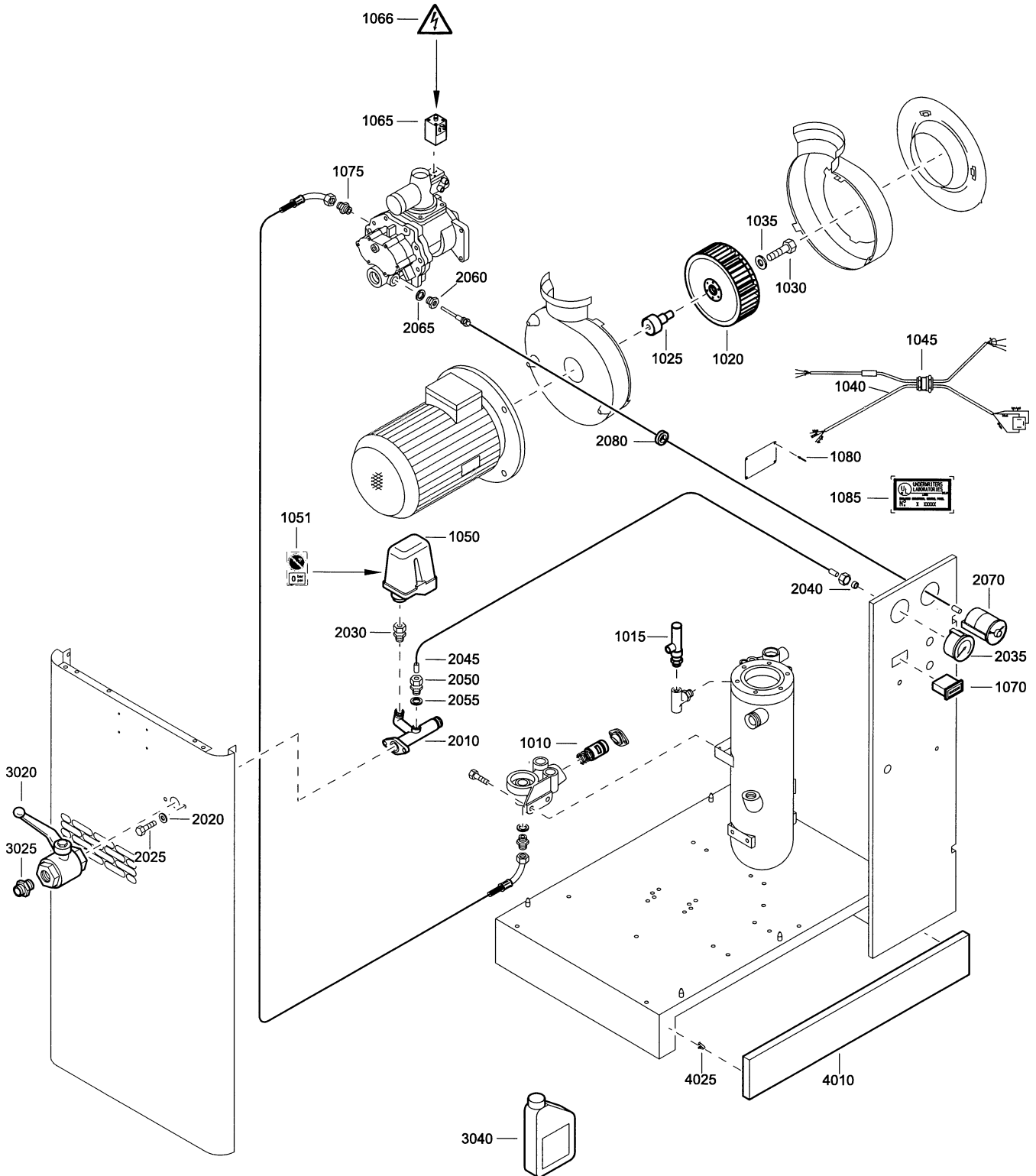
# 6



## Regulating system - Full-feature

Ref.	Part number	Qty	Name	Remarks	Ref.	Part number	Qty	Name	Remarks
1010	1619 7493 00	1	Thermostat			1613 9023 00		GA5-10bar, GA5-13bar,	
	1619 7596 00		GA5, GA7, GA11C	(C, U)				GA7-10bar, GA7-13bar,	
	1619 7333 00		GA5, GA7					GA5-150psi, GA5-175psi,	
			GA11C					GA7-150psi, GA7-175psi	
1015	0830 1007 75	1	Safety valve		1080	0129 3104 00	4	Blind rivet	(C, U)
	0830 1007 68		9.3bar	T	1085	1613 5330 00	1	Listing mark	(C, U)
	0830 1007 76		11bar	T	<b>2020</b>	<<<< >>>>	<b>1</b>	<b>Dryer</b>	
	0830 1007 70		11.5bar	T	2025	1619 2766 00	4	Bolt	
			14.3bar	T	2030	0581 0000 55	1	Pipe coupling	
1020	1613 9033 00	1	Fan		2045	0581 0000 33	1	Coupling	
	1613 9034 00		GA11C 50Hz		2050	0661 1000 42	1	Seal washer	
			GA5 50Hz, GA7 50Hz,		2055	1613 8892 00	1	Cock	
			GA11C 60Hz		2090	1079 5840 15	1	Nipple	
	1613 9403 00		GA5 60Hz, GA7 60Hz		2095	0653 9098 00	1	Flat gasket	
1025	1613 9021 00	1	Fan adaptor		2100	0147 1321 03	2	Hexagon bolt	
	1613 9022 00		GA11C 50Hz		2105	0301 2335 00	2	Washer	
			GA5 50Hz, GA7 50Hz,		2110	1088 1301 03	1	Cable strip	
			GA11C 60Hz		2135	1613 9674 80	1	Silencing baffle 2)3)	
	1613 9404 00		GA5 60Hz, GA7 60Hz		2140	0226 0301 00	4	Tapping screw	
1030	0147 1413 03	1	Hexagon bolt		3020	0852 0010 21	1	Ball valve	1)
	0147 1417 03		GA11C 50Hz		3025	0603 4150 14	1	Bushing	1)-(C, U)
			GA5 50Hz, GA7 50Hz,		3040		1	Oil can	1)
			GA11C 60Hz			1613 9546 00		Japan, (C, U)	
	0147 1419 03		GA5 60Hz, GA7 60Hz			1613 6532 01		Others	
1035	0301 2358 00	1	Washer		3045	0070 6002 04	AR	Plastic tube	1)
1040	1613 9025 00	1	Cable		3050	0581 0000 33	1	Coupling	1)
	1613 9025 01		50-60Hz		3055	0070 6002 05	AR	Plastic tube	1)
			60Hz	(C, U)	<b>4010</b>	<b>1613 9063 80</b>	<b>2</b>	<b>Panel ass'y</b>	<b>1)2)</b>
1045	1088 0302 06	1	Nut		4025	1079 2903 01	• 2	Panel clip	
	0697 9806 00		50-60Hz						
			60Hz	(C, U)					
1050	1089 0574 04	1	Temp.sensor		1)			Supplied loose / Los geleverd / Levereras separat / Lose	
1055	0605 8995 02	1	Bushing					mitgeliefert / Livré séparément / Sumministrado suelto /	
1060	0661 1000 39	1	Seal washer					Fornito separatamente / Leveres separat / Fornecido	
1065	1089 0621 14	1	Solenoid valve		2)-3)			separadamente / Leveres separat / Toimitetaan irrallisena	
	1089 0621 16		230V/50Hz					mit / Garni de / Revestido de / Allineato con / Foret	
	1089 0621 19		230V/60Hz					med / Revestido com / Kledd med / Vuorattu	
			115V/60Hz	C, U	2)			Foam: 1079 0003 31 (AR) 25 x 2000 x 1500	
1066	1088 1001 01	1	Warning mark	(C, U)	3)			Foam: 0395 1001 99 (AR) 10 x 2000 x 1500	
1070	1900 0700 07	1	Regulator						
1075	1079 5840 21	1	Hexagon nipple						
			GA5-7,5bar, GA5-8bar,						
			GA7-7,5bar, GA7-8bar,						
			GA11C-7,5bar, GA11C-8bar,						
			GA11C-10bar,						
			GA11C-13bar,						
			GA5-100psi, GA5-125psi,						
			GA7-100psi, GA7-125psi,						
			GA11C-100psi,						
			GA11C-125psi,						
			GA11C-150psi,						
			GA11C-175psi						

# 7

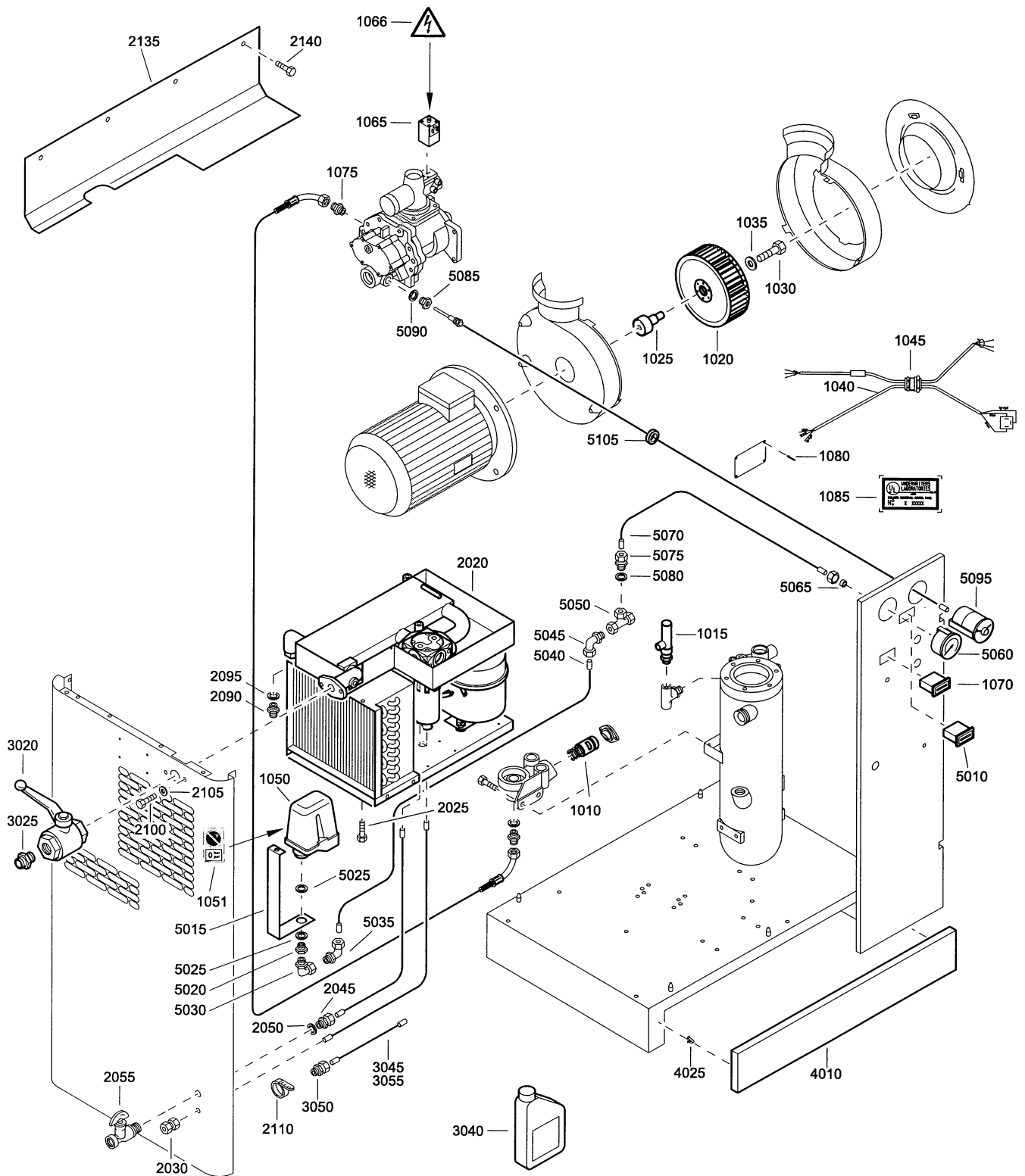




## Regulating system - Standard Pack

Ref.	Part number	Qty	Name	Remarks	Ref.	Part number	Qty	Name	Remarks
1010	1619 7493 00	1	Thermostat		1075	1079 5840 21	1	Nipple	
	1619 7596 00		GA5, GA7, GA11C	(C, U)				GA5-7,5bar, GA5-8bar,	
	1619 7333 00		GA5, GA7					GA7-7,5bar, GA7-8bar,	
1015	0830 1007 75	1	Safety valve					GA11C-7,5bar, GA11C-8bar,	
	0830 1007 68		9.3bar	T				GA11C-10bar,	
	0830 1007 76		11bar	T				GA11C-13bar,	
	0830 1007 70		11.5bar	T				GA5-100psi, GA5-125psi,	
1020	1613 9033 00	1	Fan					GA7-100psi, GA7-125psi,	
	1613 9034 00		GA11C 50Hz					GA11C-100psi,	
	1613 9403 00		GA5 50Hz, GA7 50Hz,			1613 9023 00		GA11C-125psi,	
			GA11C 60Hz					GA11C-150psi,	
1025	1613 9404 00	1	Fan adaptor					GA11C-175psi	
	1613 9021 00		GA11C 50Hz		1080	0129 3104 00	4	Blind rivet	C, U
	1613 9022 00		GA5 50Hz, GA7 50Hz,		1085	1613 5330 00	1	Listing mark	C, U
			GA11C 60Hz		2010	1513 0453 00	1	Pipe	
	1613 9404 00		GA5 60Hz, GA7 60Hz		2020	0301 2335 00	2	Washer	
1030	0147 1413 03	1	Hexagon bolt		2025	0147 1322 03	2	Hexagon bolt	
	0147 1417 03		GA11C 50Hz		2030	1503 2693 00	1	Coupling	
			GA5 50Hz, GA7 50Hz,		2035	1615 7264 00	1	Pressure gauge	
	0147 1419 03		GA11C 60Hz		2040	0584 9904 00	1	Sleeve	
			GA5 60Hz, GA7 60Hz		2045	0070 6002 04	AR	Plastic tube	
1035	0301 2358 00	1	Washer		2050	0581 0000 34	1	Coupling	
1040	1613 9026 00	1	Cable		2055	0653 1062 00	1	Flat gasket	
	1613 9026 01		50-60Hz		2060	1613 9029 00	1	Nipple	
			60Hz	(C, U)	2065	0661 1000 39	2	Seal washer	
1045	1088 0302 06	1	Nut		2070	1089 0376 46	1	Temp.switch	
	0697 9806 00		50-60Hz		2080	1088 0801 26	1	Grommet	
			60Hz	(C, U)	3020	0852 0010 21	1	Ball valve	1)
1050	1089 0397 42	1	Press.switch		3025	0603 4150 14	1	Bushing	1)-(C, U)
			GA5-GA7-GA11C/7.5-8-		3040		1	Oil can	1)
			10bar,			1613 9546 00		Japan, (C, U)	
			GA5-GA7-GA11C/			1613 6532 01		Others	
			100-125-150psi		<b>4010</b>	<b>1613 9063 80</b>	<b>2</b>	<b>Panel ass'y</b>	<b>1)2)</b>
	1089 0397 43		GA5-GA7-GA11C/13bar,		4025	1079 2903 01	2	Panel clip	
			GA5-GA7-GA11C/175psi						
1051	1079 9905 39	1	Label	(C, U)					
1065	1089 0621 14	1	Solenoid valve		1)			Supplied loose / Los geleverd / Levereras separat / Lose	
	1089 0621 16		230V/50Hz					mitgeliefert / Livré séparément / Suministrado suelto /	
	1089 0621 19		230V/60Hz					Fornito separatamente / Leveres separat / Fornecido	
1066	1088 1001 01	1	Warning mark	C, U	2)			separadamente / Leveres separat / Toimitetaan irrallisena	
1070	1089 0642 03	1	Hourmeter					Lined with / Bekleed met / Beklädd med / Ausgekleidet	
	1089 0642 08		230V/50Hz					mit / Garni de / Revestido de / Allineato con / Foret	
	1089 0642 07		230V/60Hz					med / Revestido com / Kledd med / Vuorattu	
			115V/60Hz	C, U				Foam: 1079 0003 31 (AR) 25 x 2000 x 1500	

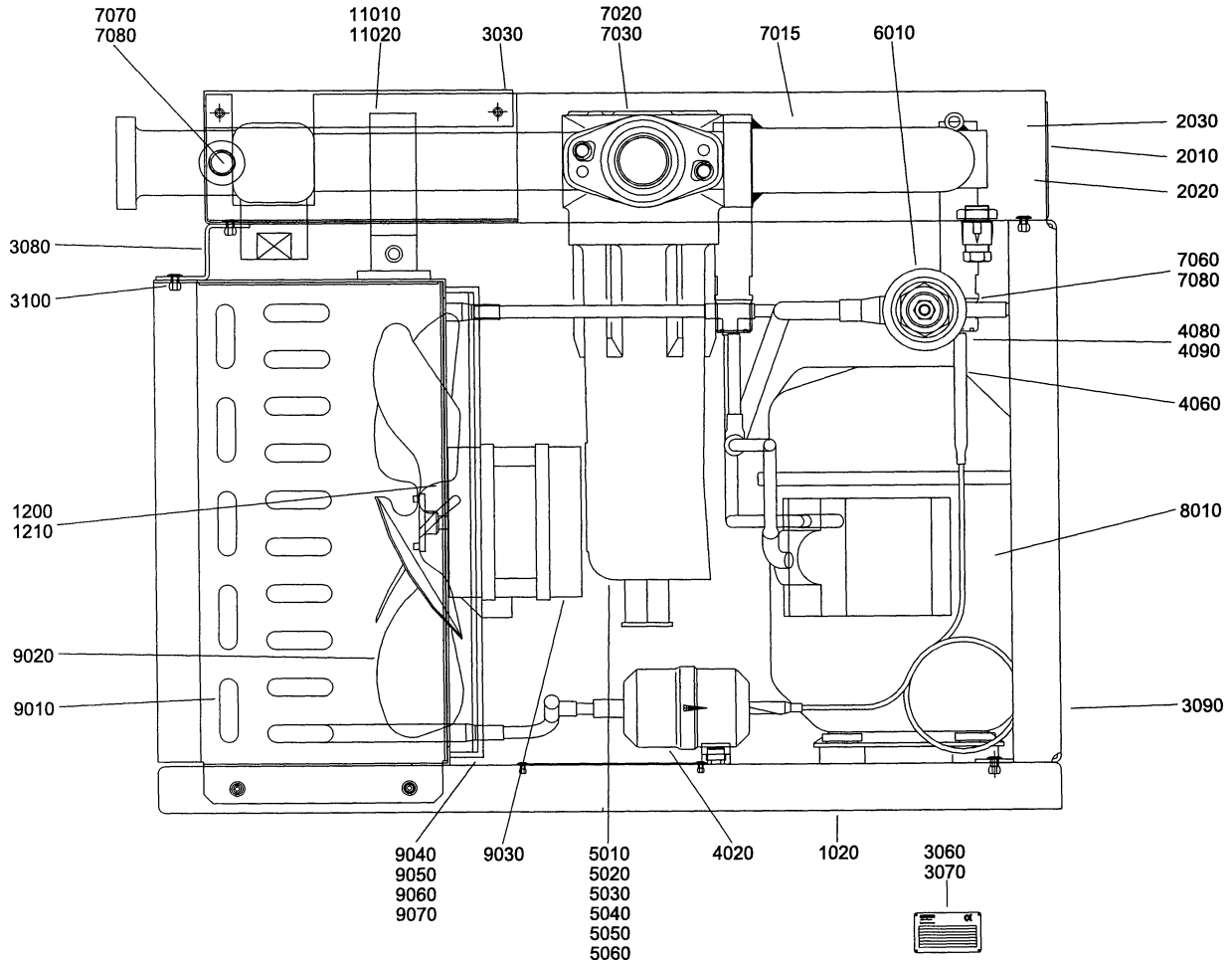
8



## Regulating system - Standard Pack Full-feature

Ref.	Part number	Qty	Name	Remarks	Ref.	Part number	Qty	Name	Remarks
1010	1619 7493 00	1	Thermostat		1085	1613 5330 00	1	Listing mark	C, U
	1619 7596 00		GA5, GA7, GA11C	(C, U)	<b>2020</b>	<<<< >>>>	<b>1</b>	<b>Dryer</b>	
	1619 7333 00		GA5, GA7		2025	1619 2766 00	4	Bolt	
			GA11C		2030	0581 0000 55	1	Pipe coupling	
1015	0830 1007 75	1	Safety valve		2045	0581 0000 33	1	Coupling	
	0830 1007 68		9.3bar	T	2050	0661 1000 42	1	Seal washer	
	0830 1007 76		11bar	T	2055	1613 8892 00	1	Cock	
	0830 1007 70		11.5bar	T	2090	1079 5840 15	1	Nipple	
			14.3bar	T	2095	0653 9098 00	1	Flat gasket	
1020	1613 9033 00	1	Fan		2100	0147 1321 03	2	Hexagon bolt	
	1613 9034 00		GA11C 50Hz		2105	0301 2335 00	2	Washer	
			GA5 50Hz, GA7 50Hz,		2110	1088 1301 03	1	Cable strip	
			GA11C 60Hz		2135	1613 9674 80	1	Silencing baffle 2)3)	
	1613 9403 00		GA5 60Hz, GA7 60Hz		2140	0226 0301 00	4	Tapping screw	
1025	1613 9021 00	1	Fan adaptor		3020	0852 0010 21	1	Ball valve	1)
	1613 9022 00		GA11C 50Hz		3025	0603 4150 14	1	Bushing	1)-(C, U)
			GA5 50Hz, GA7 50Hz,		3040		1	Oil can	1)
			GA11C 60Hz			1613 9546 00		Japan, (C, U)	
	1613 9404 00		GA5 60Hz, GA7 60Hz			1613 6532 01		Others	
1030	0147 1413 03	1	Hexagon bolt		3045	0070 6002 04	AR	Plastic tube	1)
	0147 1417 03		GA11C 50Hz		3050	0581 0000 33	1	Coupling	1)
			GA5 50Hz, GA7 50Hz,		3055	0070 6002 05	AR	Plastic tube	1)
			GA11C 60Hz		<b>4010</b>	<b>1613 9063 80</b>	<b>2</b>	<b>Panel ass'y</b>	<b>1)2)</b>
	0147 1419 03		GA5 60Hz, GA7 60Hz		4025	1079 2903 01	2	Panel clip	
1035	0301 2358 00	1	Washer		5010	1202 7974 03	1	Thermometer	
1040	1613 9026 00	1	Cable		5015	1613 9124 00	1	Support	
	1613 9026 01		50-60Hz		5020	0605 8700 39	1	Bushing	
			60Hz	(C, U)	5025	0653 1124 00	2	Flat gasket	
1045	1088 0302 06	1	Nut		5030	1503 2565 02	1	Bend	
	0697 9806 00		50-60Hz		5035	0581 1200 28	1	Coupling	
			60Hz	(C, U)	5040	0070 6002 04	AR	Plastic tube	
1050	1089 0397 42	1	Press.switch		5045	0581 1200 28	1	Coupling	
			GA5-GA7-GA11C/7.5-8-		5050	1503 2566 11	1	Tee	1/4
			10bar		5060	1615 7264 00	1	Pressure gauge	
	1089 0397 43		GA5-GA7-GA11C/13bar		5065	0584 9904 00	1	Sleeve	
1051	1079 9905 39	1	Label	(C, U)	5070	0070 6002 04	AR	Plastic tube	
1065	1089 0621 14	1	Solenoid valve		5075	0581 0000 34	1	Coupling	
	1089 0621 16		230V/50Hz		5080	0653 1062 00	1	Flat gasket	
	1089 0621 19		230V/60Hz		5085	1613 9029 00	1	Nipple	
			115V/60Hz	C, U	5090	0661 1000 39	1	Seal washer	
1066	1088 1001 01	1	Warning mark		5095	1089 0376 46	1	Temp.switch	
1070	1089 0642 03	1	Hourmeter		5105	1088 0801 26	1	Grommet	
	1089 0642 08		230V/50Hz						
	1089 0642 07		230V/60Hz		1)			Supplied loose / Los geleverd / Levereras separat / Lose mitgeliefert / Livré séparément / Suministrado suelto / Fornito separatamente / Leveres separat / Fornecido separatamente / Leveres separat / Toimitetaan irrallisena	
1075	1079 5840 21	1	Nipple		2)-3)			Lined with / Bekleed met / Beklädd med / Ausgekleidet mit / Garni de / Revestido de / Allineato con / Foret med / Revestido com / Kledd med / Vuorattu	
			GA5-7,5bar, GA5-8bar,		2)			Foam: 1079 0003 31 (AR) 25 x 2000 x 1500	
			GA7-7,5bar, GA7-8bar,		3)			Foam: 0395 1001 99 (AR) 10 x 2000 x 1500	
			GA11C-7,5bar, GA11C-8bar,						
	1613 9023 00		GA11C-10bar, GA11C-13bar						
			GA5-10bar, GA5-13bar,						
			GA7-10bar, GA7-13bar						
1080	0129 3104 00	4	Blind rivet	C, U					

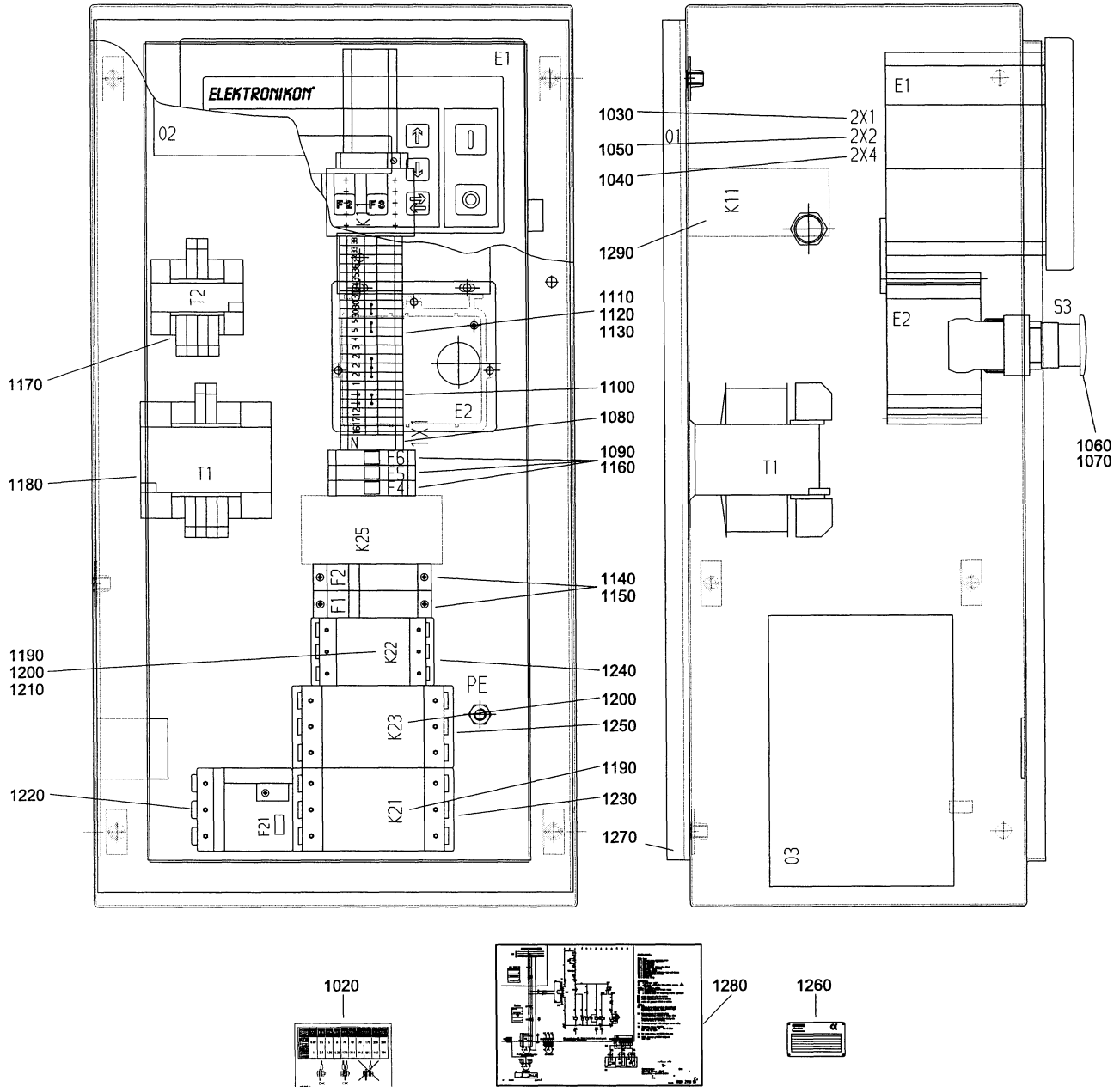
9



## Air dryer - ID 19-26

Ref.	Part number	Qty	Name	Remarks	Ref.	Part number	Qty	Name	Remarks
1020		1	Frame		<b>7020</b>	<b>1613 8226 81</b>	<b>1</b>	<b>Water separator</b>	
	1617 1834 00		ID19					Wsd40	
	1617 2072 00		ID26			1613 8226 00	• 1	Wsd40 head	
	<b>1603 1835 80</b>	<b>1</b>	<b>Box assy</b>			1613 9336 00	• 1	Wsd40 bowl	
2010	1617 1835 00	• 1	Box			2901 0712 00	• 1	Drain valve kit	
2020	1617 1853 00	• 1	Insulation (bottom)			2901 0748 00	• 1	Separation kit	
2030	1617 1854 00	• 1	Insulation (top)		7030	0663 9191 00	2	O-ring	
3030	1617 1836 00	1	Cover		7060	1089 0574 03	1	Temp. sensor	
3060	1617 0745 00	1	Data plate		7070	1089 0575 41	1	Pressure sensor	
3070	0129 3104 00	4	Blind rivet		7080	1617 0092 03	2	Ring	
3080	1617 1833 00	1	Support		8010		1	Refrigerant compressor	
3090	1617 1832 00	1	Support			1617 1217 01		ID19 50Hz	
3100	0129 3115 00	5	Blind rivet			1617 1217 02		ID19 60Hz	
4020	1617 1322 01	1	Filter-drier			1617 1483 01		ID23 50Hz	
4060	1619 5563 02	1	Schraderventiel			1617 1483 03		ID23 60Hz	
4080	1617 0092 01	1	Nut			9827 0464 00	1	Serv.diagram	
4090	1617 0139 00	1	Sleeve				<b>1</b>	<b>Condensator - fan assy</b>	
5010	0653 1062 00	8	Flat gasket			<b>1617 1313 95</b>		<b>50Hz</b>	
5020	0581 0000 35	1	Straight coupling			<b>1617 1313 96</b>		<b>60Hz</b>	
5030	0070 6002 05	AR	Plastic tube		9010	1617 1941 00	• 1	Condensator	
5040	0661 1020 00	8	Seal washer		9020	1617 1314 01	• 1	Fan	
5050	0581 0000 34	1	Straight coupling		9030		• 1	Fanmotor	
5060	0070 6002 04	AR	Plastic tube		9040	1617 1316 01	• 1	Fan grating	
6010		1	Hot gas bypass valve		9050	0147 1208 03	• 4	Hex.bolt	
	1617 1284 03		ID19		9060	0301 2318 00	• 4	Washer	
	1617 1524 01		ID26		9070	0333 3215 00	• 4	Washer	
7015	1617 1831 00	1	Heat exchanger		11 010	1089 9214 26	1	Fan switch	
					11 020	0226 3256 00	2	Screw	

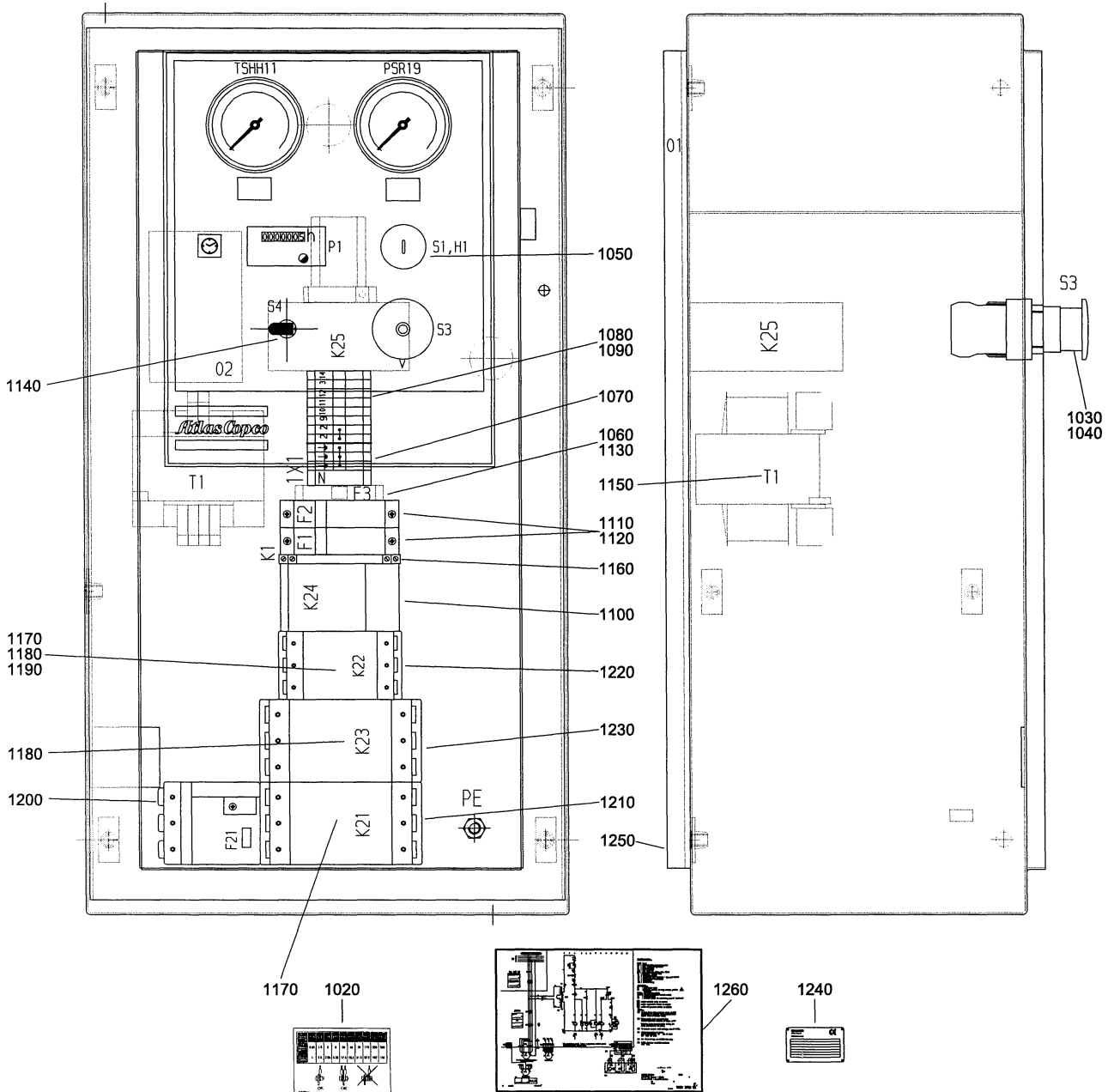
# 10



## Start cubicle - star/delta - Pack/Full-feature

Ref.	Part number	Qty	Name	Remarks	Ref.	Part number	Qty	Name	Remarks
	<b>1900 2000 01</b>	<b>1</b>	<b>Cubicle</b>		1210		1	Contact block	
	<b>1900 2000 04</b>		GA7 400V/50Hz		1089 9415 20		1	1)2)3)4)8)	K22
	<b>1900 2000 05</b>		GA5 230V/50Hz,		1220		1	Overload relay	F21
	<b>1900 2000 06</b>		GA11C 400V/50Hz		1089 9424 19			1)7)	
	<b>1900 2000 07</b>		GA5 400V/50Hz,		1089 9424 28			2)8)	
	<b>1900 2000 08</b>		GA7 500V/50Hz		1089 9424 17			3)9)	
	<b>1900 2000 11</b>		GA7 230V/50Hz		1089 9424 30			4)10)	
	<b>1900 2000 14</b>		GA11C 200V/50Hz		1089 9424 38			5)6)11)	
	<b>1900 2000 15</b>		GA11C 230V/50Hz		1230		1	Contactor	K21
	<b>1900 2000 16</b>		GA7 380V/60Hz,		1089 9415 11			1)3)7)9)	
	<b>1900 2000 18</b>		GA7 460V/60Hz		1089 9415 21			2)8)	
	<b>1900 2000 18</b>		GA5 200V/50Hz,		1089 9415 23			4)10)	
	<b>1900 2000 18</b>		GA5 230V/60Hz,		1089 9415 31			5)6)11)	
	<b>1900 2000 18</b>		GA11C 500V/50Hz,		1240		1	Contactor	K22
	<b>1900 2000 18</b>		GA11C 380V/60Hz,		1089 9415 11			1)2)3)4)7)8)9)	
	<b>1900 2000 18</b>		GA11C 460V/60Hz		1089 9415 21			5)	
	<b>1900 2000 18</b>		GA5 500V/50Hz,		1089 9415 23			6)10)11)	
	<b>1900 2000 18</b>		GA5 380V/60Hz,		1250		1	Contactor	K23
	<b>1900 2000 18</b>		GA5 460V/60Hz		1089 9415 11			1)3)	
	<b>1900 2000 18</b>		GA7 200V/50Hz,		1089 9415 21			2)8)	
	<b>1900 2000 18</b>		GA7 230V/60Hz		1089 9415 23			4)10)	
	<b>1900 2000 18</b>		GA11C 230V/60Hz		1089 9415 31			5)6)11)	
1020	1079 9906 09	• 1	Label		1089 9415 51			7)9)	
1030	1088 0014 04	• 1	Connector	4 poles	1260	1613 6639 00	• 1	Data plate	
1040	1088 0014 10	• 1	Connector	10 poles	1270	1613 9073 00	• 1	Plate	
1050	1088 0014 15	• 1	Connector	15 poles	1280	9820 2758 01	• 1	Service diagram	13)
1060	1089 0362 50	• 2	Contact block	S3	1290	1089 9415 11	1	Contactor	K11-12)
1070	1089 0362 51	• 1	Emergency stop button						
1080		• 1	Terminal		1)	GA7 400V/50Hz			
	1089 0506 10		1)7)		2)	GA5 230V/50Hz, GA11C 400V/50Hz			
	1089 0506 60		2)8)		3)	GA5 400V/50Hz, GA7 500V/50Hz			
	1089 0506 06		4)5)6)		4)	GA7 230V/50Hz			
1090	1089 0506 16	• 3	Fuse terminal	F4,F5,F6	5)	GA11C 200V/50Hz			
1100	1089 0506 27	• 2	Terminal	(2x4mm <sup>2</sup> )	6)	GA11C 230V/50Hz			
1110	1089 0506 62	• 1	Terminal	(1x2.5mm <sup>2</sup> )	7)	GA7 380V/60Hz, GA7 460V/60Hz			
1120	1089 0506 63	• 3	Terminal	(3x2.5mm <sup>2</sup> )	8)	GA5 200V/50Hz, GA5 230V/60Hz, GA11C 500V/50Hz,			
1130	1089 0506 64	• 1	Terminal	(10x2.5mm <sup>2</sup> )		GA11C 380V/60Hz, GA11C 460V/60Hz			
1140	1089 0612 01	• 2	Fuse holder	F1,F2	9)	GA5 500V/50Hz, GA5 380V/60Hz, GA5 460V/60Hz			
1150	1089 0612 27	• 2	Fuse	F1,F2	10)	GA7 200V/50Hz, GA7 230V/60Hz			
1160	1089 9037 09	• 3	Fuse	F4,F5,F6	11)	GA11C 230V/60Hz			
1170	1089 9136 92	• 1	Transformer	T2	12)	Only for units with dryer / Enkel voor groepen met droger / Endast för aggregat med torkare / Nur für Maschinen mit Trockner / Uniquement pour groupes avec sécheur / Unicamente para unidades con secador / Solo per unità dotate di essiccatore / Kun for modeller med tørrer / Só para unidades com secador / Kun for enheter med tørkeanlegg / Vain kuivaimella varustetuille yksiköille			
1180		• 1	Transformer	T1					
	1089 9136 94		1)2)3)4)6)						
	1089 9436 01		5)7)8)9)10)11)						
1190		•	Contact block						
	1089 9415 01	1	1)3)7)9)	K21					
	1089 9415 07	2	2)4)8)	K21					
	1089 9415 07	3	5)6)10)11)	K21-K22					
1200		•	Contact block		13)	Supplied loose / Los geleverd / Levereras separat / Lose mitgeliefert / Livré séparément / Suministrado suelto / Fornito separatamente / Leveres separat / Fornecido separadamente / Leveres separat / Toimitetaan irrallisena			
	1089 9415 03	1	1)3)	K23					
	1089 9415 08	2	2)4)8)	K23					
	1089 9415 20	2	7)9)	K22-K23					
	1089 9415 08	3	5)6)10)11)	K22-K23					

# 11

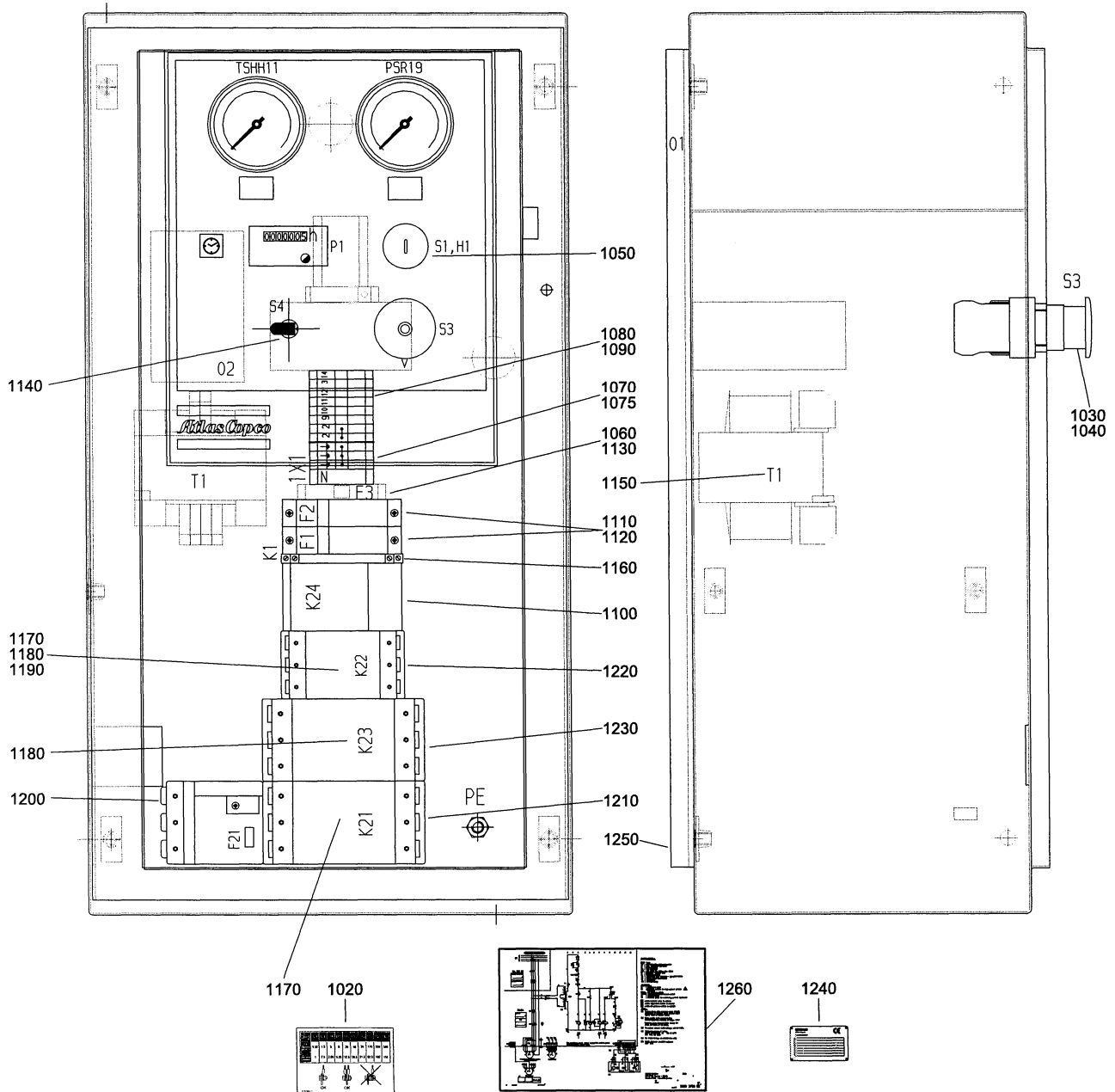




## Start cubicle - star/delta - Standard Pack

Ref.	Part number	Qty	Name	Remarks	Ref.	Part number	Qty	Name	Remarks
		<b>1</b>	<b>Cubicle</b>		1190		• 1	Contact block	
	<b>1900 2000 51</b>		GA7 400V/50Hz			1089 9415 02		4)7)	K22
	<b>1900 2000 54</b>		GA5 230V/50Hz, GA11C 400V/50Hz		1200		• 1	Overload relay	F21
	<b>1900 2000 55</b>		GA5 400V/50Hz			1089 9424 19		1)6)	
	<b>1900 2000 56</b>		GA7 230V/50Hz			1089 9424 28		2)7)	
	<b>1900 2000 57</b>		GA11C 230V/50Hz			1089 9424 17		3)8)	
	<b>1900 2000 61</b>		GA7 380V/60Hz, GA7 460V/60Hz			1089 9424 30		4)9)	
	<b>1900 2000 64</b>		GA5 200V/50Hz, GA5 230V/60Hz, GA11C 500V/50Hz, GA11C 380V/60Hz, GA11C 460V/60Hz		1210		• 1	Contactor	K21
	<b>1900 2000 65</b>		GA5 500V/50Hz, GA7 500V/50Hz, GA5 380V/60Hz, GA5 460V/60Hz			1089 9415 11		1)3)6)8)	
	<b>1900 2000 66</b>		GA7 200V/50Hz, GA7 230V/60Hz			1089 9415 21		2)7)	
	<b>1900 2000 67</b>		GA11C 200V/50Hz			1089 9415 23		4)9)	
	<b>1900 2000 68</b>		GA11C 230V/50Hz		1220		• 1	Contactor	K22
1020	1079 9906 09	• 1	Label			1089 9415 11		1)3)4)6)7)8)	
1030	1089 0362 50	• 1	Contact block	S3		1089 9415 21		5)9)11)	
1040	1089 0362 56	• 1	Emergency stop button			1089 9415 23		10)	
1050	1089 0362 60	• 1	Push button	S1		1089 9415 51		2)	
1060	1089 0506 16	• 1	Fuse terminal	F3	1230		• 1	Contactor	K23
1070	1089 0506 27	• 3	Terminal	(2x4mm <sup>2</sup> )		1089 9415 21		2)7)	
1080	1089 0506 62	• 2	Terminal	(1x2.5mm <sup>2</sup> )		1089 9415 23		4)9)	
1090	1089 0506 63	• 2	Terminal	(3x2.5mm <sup>2</sup> )		1089 9415 31		5)10)11)	
1100	1089 0588 01	• 1	Time relay	K24		1089 9415 51		1)3)6)8)	
1110	1089 0612 01	• 2	Fuse holder	F1,F2	1240	1613 6639 00	• 1	Data plate	
1120	1089 0612 22	• 2	Fuse	F1,F2	1250	1613 9073 01	• 1	Plate	
1130	1089 9037 09	• 1	Fuse	F3	1260	9820 2758 51	• 1	Service diagram	12)
1140	1089 9051 11	• 1	Toggle switch	S4	1)	GA7 400V/50Hz			
1150		• 1	Transformer	T1	2)	GA5 230V/50Hz, GA11C 400V/50Hz			
	1089 9136 94				3)	GA5 400V/50Hz			
	1089 9436 01				4)	GA7 230V/50Hz			
1160	1089 9388 16	• 1	Relay	K1	5)	GA11C 230V/50Hz			
1170		•	Contact block		6)	GA7 380V/60Hz, GA7 460V/60Hz			
	1089 9415 01	1	1)3)6)8)	K21	7)	GA5 200V/50Hz, GA5 230V/60Hz, GA11C 500V/50Hz, GA11C 380V/60Hz, GA11C 460V/60Hz			
	1089 9415 07	2	2)4)7)	K21	8)	GA5 500V/50Hz, GA7 500V/60Hz, GA5 380V/60Hz, GA5 460V/60Hz			
	1089 9415 07	3	5)9)10)11)	K21-K22	9)	GA7 200V/50Hz, GA7 230V/60Hz			
1180		•	Contact block		10)	GA11C 200V/50Hz			
	1089 9415 08	2	2)4)7)	K23	11)	GA11C 230V/60Hz			
	1089 9415 20	2	1)3)6)8)	K22-K23	12)	Supplied loose / Los geleverd / Levereras separat / Lose mitgeliefert / Livré séparément / Sumministrado suelto / Fornito separatamente / Leveres separat / Toimitetaan irrallisena			
	1089 9415 08	3	5)9)10)11)	K22-K23					

# 12

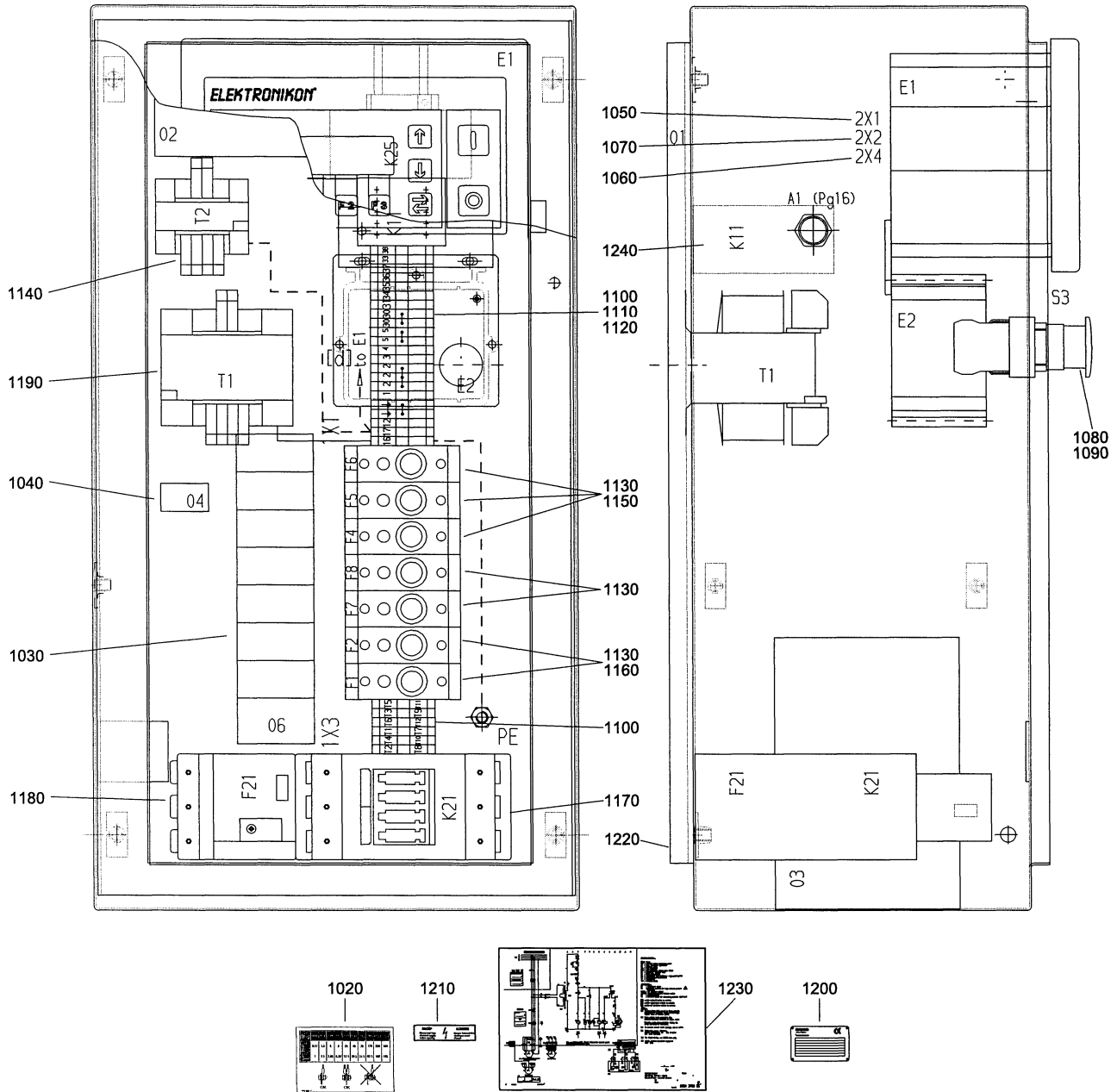


**Start cubicle - star/delta -  
Standard Pack Full-Feature + Electropneumatic (Japan)**

12

Ref.	Part number	Qty	Name	Remarks	Ref.	Part number	Qty	Name	Remarks
		<b>1</b>	<b>Cubicle</b>		1 190		• 1	Contact block	
	<b>1900 2000 32</b>		GA5 200V/50Hz		1089 9415 02			1)	K22
	<b>1900 2000 33</b>		GA7 200V/50Hz		1 200		• 1	Overload relay	F21
	<b>1900 2000 34</b>		GA11C 200V/50Hz		1089 9424 28			1)	
1020	1079 9906 09	• 1	Label		1089 9424 30			2)	
1030	1089 0362 50	• 1	Contact block	S3	1089 9424 38			3)	
1040	1089 0362 56	• 1	Emergency stop button		1 210		• 1	Contactactor	K21
1050	1089 0362 60	• 1	Push button	S1	1089 9415 21			1)	
1060	1089 0506 16	• 1	Fuse terminal	F3	1089 9415 23			2)	
1070	1089 0506 27	• 3	Terminal	(2x4mm <sup>2</sup> )	1089 9415 31			3)	
1075		• 1	Terminal		1 220		• 1	Contactactor	K22
	1089 0506 60		1)3)	(1x6mm <sup>2</sup> )	1089 9415 11			1)	
	1089 0506 06		2)	(1x16mm <sup>2</sup> )	1089 9415 21			2)	
1080		• 1	Terminal		1089 9415 23			3)	
	1089 0506 62		1)2)	(1x2.5mm <sup>2</sup> )	1 230		• 1	Contactactor	K23
	1089 0506 03		3)	(1x35mm <sup>2</sup> )	1089 9415 21			1)	
1090	1089 0506 63	• 4	Terminal	(3x2.5mm <sup>2</sup> )	1089 9415 23			2)	
1100	1089 0588 01	• 1	Time relay	K24	1089 9415 31			3)	
1110	1089 0612 01	• 2	Fuse holder	F1,F2	1 240	1613 6639 00	• 1	Data plate	
1120	1089 0612 27	• 2	Fuse	F1,F2	1 250	1613 9073 01	• 1	Plate	
1130	1089 9037 09	• 1	Fuse	F3	1 260	9820 2758 53	• 1	Service diagram	4)
1140	1089 9051 11	• 1	Toggle switch	S4					
1150	1089 9436 01	• 1	Transformer	T1	1)	GA5 200V/50Hz			
1160	1089 9388 16	• 1	Relay	K1	2)	GA7 200V/50Hz			
1170		•	Contact block		3)	GA11C 200V/50Hz			
	1089 9415 07	2	1)	K21	4)	Supplied loose / Los geleverd / Levereras separat / Lose mitgeliefert / Livré séparément / Suministrado suelto / Fornito separatamente / Leveres separat / Fornecido separadamente / Leveres separat / Toimitetaan irrallisena			
	1089 9415 07	3	2)3)	K21-K22					
1180		•	Contact block						
	1089 9415 08	2	1)	K23					
	1089 9415 08	3	2)3)	K22-K23					

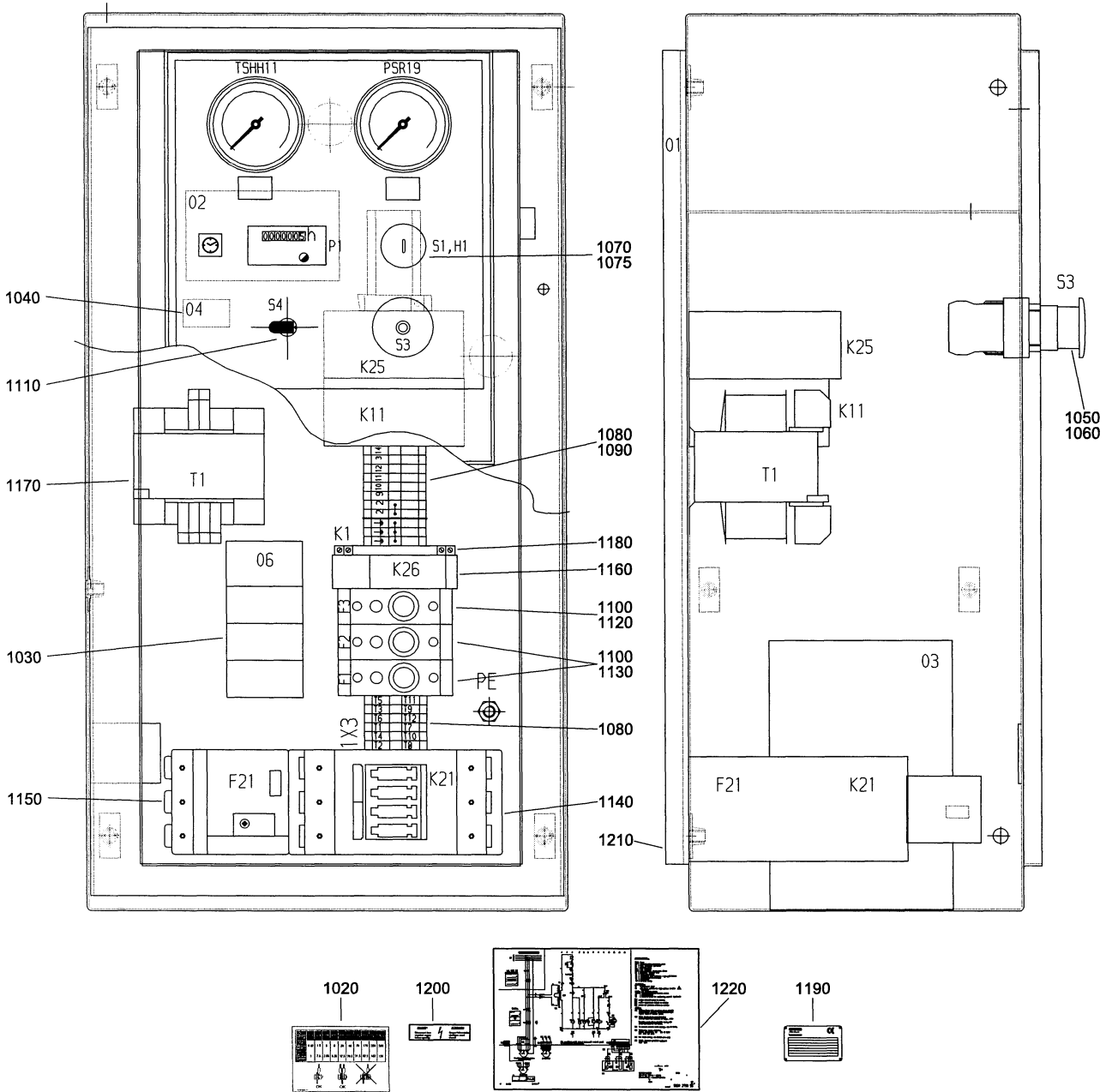
# 13



## Start cubicle - DOL - Pack/Full-feature CSA/UL

Ref.	Part number	Qty	Name	Remarks	Ref.	Part number	Qty	Name	Remarks
		<b>1</b>	<b>Cubicle</b>						
	<b>1900 2001 02</b>		GA5 575V/60Hz		1180		1	Overload relay F21	
	<b>1900 2001 04</b>		GA5 200V/60Hz,			1089 9424 18		1)	
			GA5 230V/60Hz,			1089 9424 37		2)	
			GA11C 460V/60Hz			1089 9424 27		3)	
	<b>1900 2001 05</b>		GA5 460V/60Hz,			1089 9424 39		4)	
			GA7 575V/60Hz			1089 9424 46		5)	
	<b>1900 2001 06</b>		GA7 200V/60Hz,			1089 9424 29		6)	
			GA7 230V/60Hz		1190	1089 9436 01	1	Transformer T1	
	<b>1900 2001 07</b>		GA11C 200V/60Hz,		1200	1613 3046 00	1	Data plate	
			GA11C 230V/60Hz		1210	1613 3431 00	1	Label	
	<b>1900 2001 10</b>		GA7 460V/60Hz,		1220	1613 9073 00	1	Plate	
			GA11C 575V/60Hz		1230	9820 2758 07	1	Service diagram 8)	
1020	1079 9906 09	• 1	Label		1240	1089 9415 14	1	Contactork K11-7)	
1030	1079 9910 01	• 1	Label						
1040	1079 9911 01	• 1	Label		1)	GA5 575V/60Hz			
1050	1088 0014 04	• 1	Connector	4 poles	2)	GA5 200V/60Hz, GA5 230V/60Hz, GA11C 460V/60Hz			
1060	1088 0014 10	• 1	Connector	10 poles	3)	GA5 460V/60Hz, GA7 575V/60Hz			
1070	1088 0014 15	• 1	Connector	15 poles	4)	GA7 200V/60Hz, GA7 230V/60Hz			
1080	1089 0362 50	• 2	Contact block	S3	5)	GA11C 200V/60Hz, GA11C 230V/60Hz			
1090	1089 0362 51	• 1	Emergency stop button		6)	GA7 460V/60Hz, GA11C 575V/60Hz			
1100		•	Terminal	(1x2.5mm <sup>2</sup> )	7)	Only for units with dryer / Enkel voor groepen met droger / Endast för aggregat med torkare / Nur für Maschinen mit Trockner / Uniquement pour groupes avec sécheur / Unicamente para unidades con secador / Solo per unità dotate di essiccatore / Kun for modeller med tørrer / Só para unidades com secador / Kun for enheter med tørkeanlegg / Vain kuivaimella varustetuille yksiköille			
	1089 0506 62	6	1)3)						
	1089 0506 62	9	2)4)5)6)						
1110	1089 0506 63	• 3	Terminal	(3x2.5mm <sup>2</sup> )	8)	Supplied loose / Los geleverd / Levereras separat / Lose mitgeliefert / Livré séparément / Suministrado suelto / Fornito separatamente / Leveres separat / Fornecido separadamente / Leveres separat / Toimitetaan irrallisena			
1120	1089 0506 64	• 1	Terminal	(10x2.5mm <sup>2</sup> )					
1130	1089 9049 04	• 7	Fuse holder	F1->F8					
1140	1089 9135 03	• 1	Transformer	T2					
1150	1089 9168 09	• 3	Fuse link (0.8A)	F4-F5-F6					
1160	1089 9168 24	• 2	Fuse link (2A)	F1-F2					
1170		• 1	Contactork	K21					
	1089 9415 14		1)						
	1089 9415 34		2)						
	1089 9415 25		3)						
	1089 9415 35		4)						
	1089 9415 44		5)						
	1089 9415 26		6)						

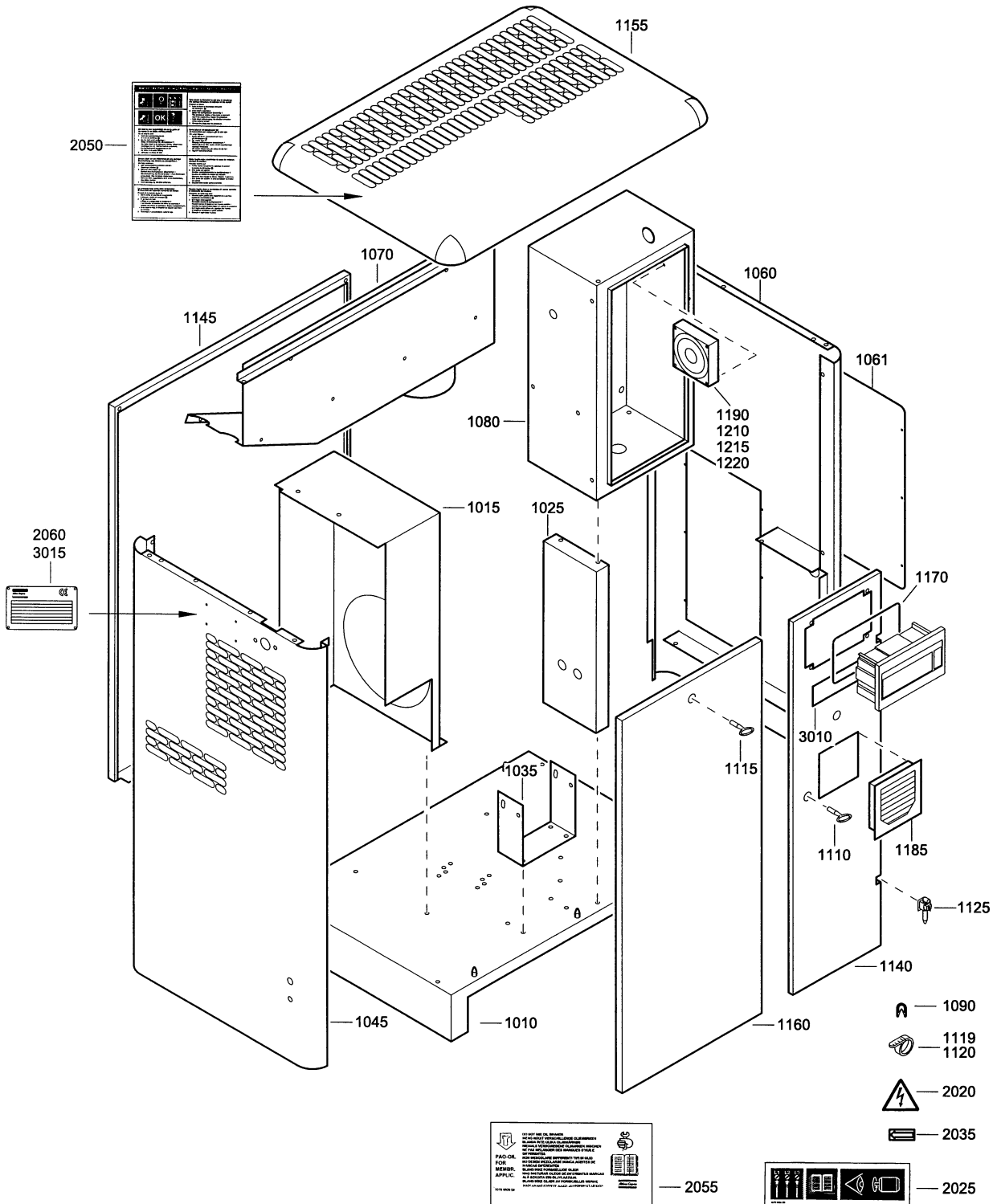
# 14



## Start cubicle - DOL - Standard Pack CSA/UL

Ref.	Part number	Qty	Name	Remarks	Ref.	Part number	Qty	Name	Remarks
	<b>1900 2001 51</b>	<b>1</b>	<b>Cubicle</b>		1150		• 1	Overload relay F21	
			GA7 460V/60Hz,			1089 9424 29		1)	
	<b>1900 2001 52</b>		GA11C 575V/60Hz			1089 9424 18		2)	
	<b>1900 2001 54</b>		GA5 575V/60Hz			1089 9424 37		3)	
			GA5 200V/60Hz,			1089 9424 27		4)	
			GA5 230V/60Hz,			1089 9424 39		5)	
	<b>1900 2001 55</b>		GA11C 460V/60Hz			1089 9424 46		6)	
			GA5 460V/60Hz,		1160	1089 9435 01	• 1	Time relay	K26
	<b>1900 2001 56</b>		GA7 575V/60Hz		1170	1089 9436 01	• 1	Transformer	T1
			GA7 200V/60Hz,		1180	1089 9438 01	• 1	Relay	K1
	<b>1900 2001 57</b>		GA7 230V/60Hz		1190	1613 346 00	• 1	Data plate	
			GA11C 200V/60Hz,		1200	1613 3431 00	• 1	Label	
			GA11C 230V/60Hz		1210	1613 9073 01	• 1	Plate	
1020	1079 9906 09	• 1	Label		1220	9820 2758 55	• 1	Service diagram 7)	
1030	1079 9909 56	• 1	Label						
1040	1079 9911 01	• 1	Label		1)	GA7 460V/60Hz, GA11C 575V/60Hz			
1050	1089 0362 50	• 1	Contact block	S3	2)	GA5 575V/60Hz			
1060	1089 0362 56	• 1	Emergency stop button		3)	GA5 200V/60Hz, GA5 230V/60Hz, GA11C 460V/60Hz			
1070	1089 0362 63	• 1	Push button	S1	4)	GA5 460V/60Hz, GA7 575V/60Hz			
1075	1089 9108 03	• 1	Lamp		5)	GA7 200V/60Hz, GA7 230V/60Hz			
1080		•	Terminal	(1x2.5mm <sup>2</sup> )	6)	GA11C 200V/60Hz, GA11C 230V/60Hz			
	1089 0506 62	8	1)3)5)6)		7)	Supplied loose / Los geleverd / Levereras separat / Lose mitgeliefert / Livré séparément / Suministrado suelto / Fornito separatamente / Leveres separat / Fornecido separadamente / Leveres separat / Toimitetaan irrallisena			
	1089 0506 62	2	2)4)						
1090	1089 0506 63	• 3	Terminal	(3x2.5mm <sup>2</sup> )					
1100	1089 9049 04	• 3	Fuse holder	F1-F2-F3					
1110	1089 9051 11	• 1	Toggle switch	S4					
1120	1089 9168 09	• 1	Fuse link (0.8A)	F3					
1130	1089 9168 24	• 2	Fuse link (2A)	F1-F2					
1140		• 1	Contacteur	K21					
	1089 9415 26		1)						
	1089 9415 14		2)						
	1089 9415 34		3)						
	1089 9415 25		4)						
	1089 9415 35		5)						
	1089 9415 44		6)						

# 15

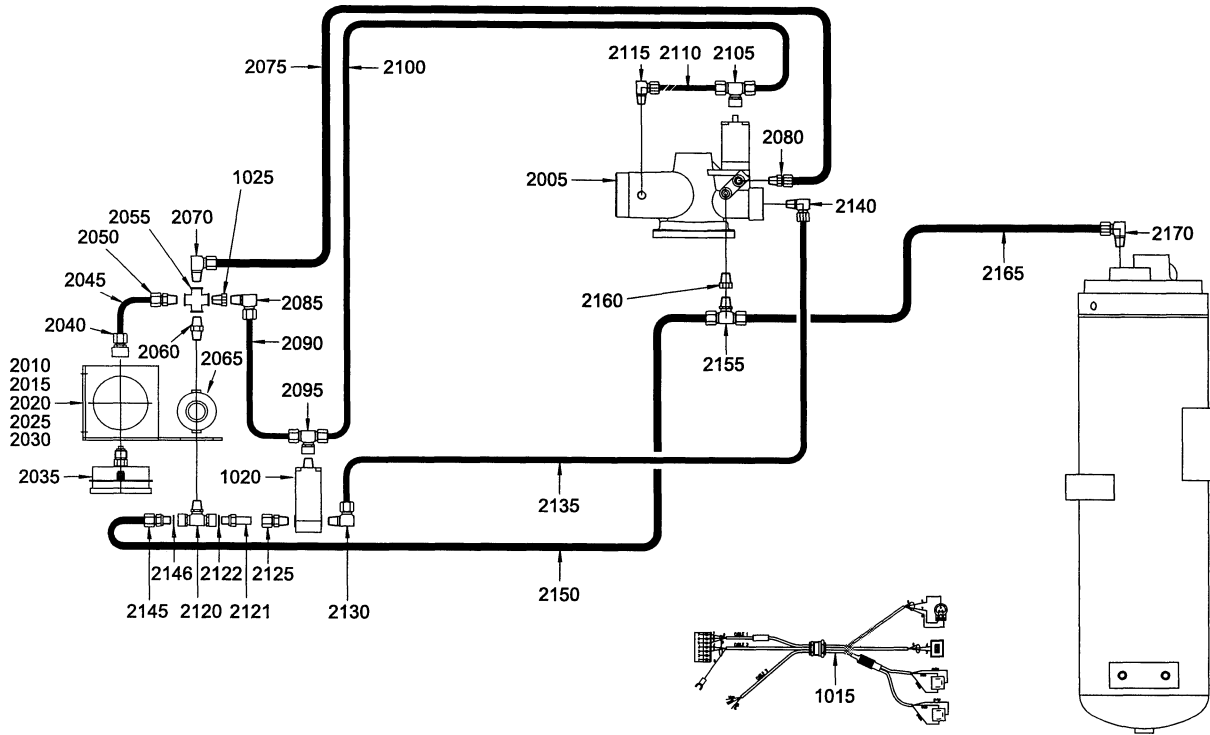




## Bodywork

Ref.	Part number	Qty	Name	Remarks	Ref.	Part number	Qty	Name	Remarks
1010	1613 9040 80	1	Frame ass'y		1220	1089 0388 34	1	Guard	3)
1015	1613 9041 85	1	Baffle ass'y	1)	2020	1088 1001 02	1	Warning mark	
1025	1613 9042 00	1	Support		2025	1079 9901 68	1	Warning label	
1035	1613 9043 00	1	Support		2035	1503 0786 00	1	Rotation arrow	
1045	1613 9044 85	1	Left panel ass'y 1) Pack, Full Feature, Electro Pneumatic (Japan), Standard Pack Full Feature		2050	1079 9905 09	1	Label	
	1613 9079 85		Standard Pack		2055	1079 9909 57	1	Label	
1060	1613 9045 85	1	Right panel ass'y 1)2)		2060	0129 3103 00	4	Blind rivet	
1061	1613 9064 85	1	Service door ass'y	1)	3010	1613 9027 02	1	GA5	Pack, Standard Pack
1070	1613 9046 80	1	Cooler duct ass'y 1)2) Standard Pack Full Feature			1613 9027 03		GA7	Pack, Standard Pack
	1613 9046 85		Others			1613 9027 41		GA11C	Pack, Standard Pack
1080	1613 9047 80	1	Cubicle ass'y Pack, Full Feature			1613 9027 06		GA5	Full Feature
	1613 9047 81		Pack, Full Feature,	3)		1613 9027 07		GA7	Full Feature
	1613 9077 80		Electro Pneumatic (Japan) Standard Pack, Standard Pack Full Feature		3015	1613 9027 42	1	GA11C	Full Feature
	1613 9077 81		Standard Pack 3)			1613 7394 00		Data plate	
1090	1619 2758 00	AR	Seal			1614 5933 00		50Hz	CE
1110	1089 9154 02	1	Key				AR	Bolt	
1115	1089 9068 01	2	Key		0147 1174 03			M4 x 20	
1119	1088 1301 02	1	Cable strip		0147 1205 03			M5 x 12 - 8.8	
1120	1088 1301 03	3	Cable strip		0147 1244 03			M6 x 12	
1125	1202 6400 00	2	Hinge		1079 1472 05			M8 x 20 - 8.8	
1140	1613 9048 80	1	Door assembly 1) Pack, Full Feature		1619 2766 00			M8 x 20	
	1613 9048 81		Pack, Full Feature,	3)	0226 0301 00		AR	Tapping screw	
	1613 9108 80		Electro Pneumatic (Japan) Standard Pack Full Feature			0162 1173 03		M8 x 16	
	1613 9076 80		Standard Pack				AR	Screw	
	1613 9076 81		Standard Pack 3)					M4 x 16	
1145	1613 9049 80	1	Panel ass'y	1)	0301 2315 00		AR	Washer	
1155	1613 9050 85	1	Roof panel ass'y 1)2) Pack, Full Feature, Electro Pneumatic (Japan), Standard Pack Full Feature		0301 2318 00			Ø4.3 x 9 x 0.8	
	1613 9080 85		Standard Pack		0301 2318 00			Ø5.3 x 10 x 1	
1160	1613 9051 80	1	Front panel ass'y 1)		0301 2321 00			Ø6.4 x 12.5 x 1.6	
1170	1503 2467 00	AR	Seal cord Pack, Full Feature		0301 2344 00		AR	Ø10.5 x 20 x 2	
1185	1089 0598 08	1	Filter	3)	0266 2107 00			Nut	
1190	1089 0388 31	1	Filter	3)	0266 2106 00			M5	
1210	1089 0388 21	1	Fan	3)				M4	
1215	1089 0388 33	1	Gasket	3)	1)-2)	Lined with / Bekleed met / Beklädd med / Ausgekleidet mit / Garni de / Revestido de / Allineato con / Foret med / Revestido com / Kledd med / Vuorattu			
					1)	Foam: 1079 0003 31 (AR) 25 x 2000 x 1500			
					2)	Foam: 1079 0003 33 (AR) 50 x 2000 x 1500			
					3)	HAV High ambient version			

# 16



**Modulating control (Optional)**

Ref.	Part number	Qty	Name	Remarks	Ref.	Part number	Qty	Name	Remarks
1015		1	Cable		2070	0581 1200 26	1	Elbow coupling	
	1513 0425 02		(C, U)		2075	0070 6002 05	AR	Plastic tube	
	1513 0425 03		Others		2080	0581 0000 59	1	Coupling	
1020		1	Solenoid valve		2085	0581 1200 16	1	Coupling(elbow)	
	1089 0621 01		230V/50Hz		2090	0070 6002 04	AR	Plastic tube	
	1089 0621 02		120V/60Hz	(C, U)	2095	0581 2000 32	1	Tee	
	1089 0621 03		230V/60Hz		2100	0070 6002 04	AR	Plastic tube	
1025		1	Nozzle		2105	0581 2000 32	1	Tee	
	1613 6968 04		GA11C 10-13bar,		2110	0070 6002 04	AR	Plastic tube	
			GA11C 150-175psi		2115	0581 1200 16	1	Coupling(elbow)	
	1613 6968 03		Others		2120	1503 2566 21	1	Tee	
<b>2005</b>	<b>&lt;&lt;&lt; &gt;&gt;&gt;</b>	<b>1</b>	<b>Unloader valve</b>		2121	0581 0000 72	1	Male adaptor	
			<b>Modulating control</b>		2122	0661 1000 38	1	Seal washer	
2010	1513 0475 00	1	Bracket		2125	0581 0000 27	1	Pipe coupling	
2015	0324 1145 00	2	Distance sleeve		2130	0581 1200 16	1	Coupling(elbow)	
2020	0301 2335 00	4	Washer		2135	0070 6002 04	AR	Plastic tube	
2025	0266 2110 00	2	Nut		2140	0581 1200 16	1	Coupling(elbow)	
2030	0147 1330 03	2	Hexagon bolt		2145	0581 0000 35	1	Coupling	
2035	1513 0480 00	1	Pressure gauge		2146	0661 1000 38	1	Seal washer	
2040	0581 0000 82	1	Pipe coupling		2150	0070 6002 05	AR	Plastic tube	
2045	0070 6002 04	AR	Plastic tube		2155	0581 2000 30	1	Coupling	
2050	0581 0000 77	1	Pipe coupling		2160	1613 6968 03	1	Nozzle	
2055	0560 4400 85	1	Cross		2165	0070 6002 05	AR	Plastic tube	
2060	1503 2564 10	1	Nipple		2170	0581 1200 26	1	Elbow coupling	
2065	1613 6961 00	1	Regulator						
	1613 6961 09	• 1	Diaphragm assembly						

# 17

## Service kits

Ref.	Part number	Qty	Name	Remarks	Ref.	Part number	Qty	Name	Remarks
	<b>2901 0523 00</b>	<b>1</b>	<b>Separator kit</b>			<b>2901 0748 00</b>	<b>1</b>	<b>Separation kit</b>	
	0663 2107 50	• 2	O-ring			• 1	Clamp		
	1613 9014 00	• 1	Separator element			• 1	Ring		
	<b>2901 0559 00</b>	<b>1</b>	<b>Filter kit</b>			• 1	O-ring		
	0661 1020 00	• 1	Sealing washer			• 1	Lock nut		
	0663 2102 15	• 1	O-ring			<b>2901 0298 50</b>	<b>1</b>	<b>Unloading valve kit</b>	
	1613 6105 00	• 1	Oil filter			1513 0532 00	• 1	Piston	
	1613 9001 00	• 1	Air filter element			1513 0011 00	• 1	Spring	
	<b>2901 0561 00</b>	<b>1</b>	<b>Shaft seal kit</b>			1513 0019 00	• 1	Piston ring	
	1616 6508 00	• 1	Seal cover			0663 2105 13	• 1	O-ring	
	1616 6552 00	• 1	Bushing			1513 0015 00	• 1	Spring	
	<b>2901 0571 00</b>	<b>1</b>	<b>Element mounting kit</b>			0663 6129 00	• 1	O-ring	
	1613 9010 00	• 1	Gasket			0663 7132 00	• 1	O-ring	
	0661 1000 44	• 1	Seal washer			0335 2130 00	• 1	Circlip	
	0661 1000 39	• 2	Seal washer			0335 2136 00	• 1	Circlip	
	0661 1000 42	• 1	Seal washer			1513 0028 01	• 1	Gasket	
	<b>2901 0712 00</b>	<b>1</b>	<b>Drain valve kit</b>			1513 0434 00	• 1	Valve	
	• 1		Drain assembly			1613 9010 00	• 1	Gasket	
	• 1		O-ring 61,2x3			<b>2901 0245 01</b>	<b>1</b>	<b>Oil can</b>	
	• 1		O-ring					ROTO-INJECTFLUID 5 l	
	• 3		O-ring			<b>2901 0522 00</b>	<b>1</b>	<b>Oil can</b>	
								ROTO-INJECTFLUID 20 l	