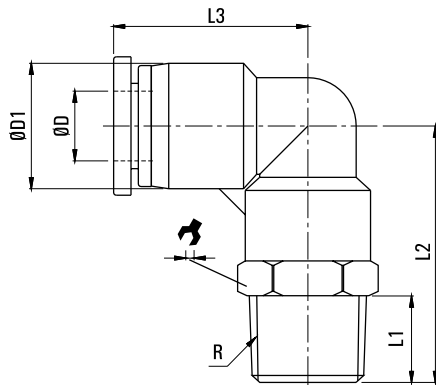


## Złączka katowa PL-06-02



|               |             |
|---------------|-------------|
| SKU           | PU-PL-06-02 |
| Producent     | Hi-Tech     |
| waż           | O 6 mm      |
| typ           | kolanko     |
| przyłącze     | G 1/4"      |
| rodzaj gwintu | zewnetrzny  |



| MODEL    | ØD | R    | L1   | L2   | L3   | ØD1  | ↻  |
|----------|----|------|------|------|------|------|----|
| PL-04-M5 | 4  | M5   | 3.5  | 21.3 | 19   | 11.5 | 10 |
| PL-04-01 | 4  | 1/8" | 7.5  | 23.8 | 19   | 11.5 | 10 |
| PL-04-02 | 4  | 1/4" | 9.5  | 26.8 | 19   | 11.5 | 14 |
| PL-04-03 | 4  | 3/8" | 10.5 | 28.3 | 19   | 11.5 | 17 |
| PL-06-M5 | 6  | M5   | 3.5  | 21.7 | 19.2 | 13.5 | 12 |
| PL-06-01 | 6  | 1/8" | 7.5  | 24.2 | 19.2 | 13.5 | 12 |
| PL-06-02 | 6  | 1/4" | 9.5  | 26.7 | 19.2 | 13.5 | 14 |
| PL-06-03 | 6  | 3/8" | 10.5 | 28.2 | 19.2 | 13.5 | 17 |
| PL-08-01 | 8  | 1/8" | 7.5  | 27.5 | 22.5 | 15   | 14 |
| PL-08-02 | 8  | 1/4" | 9.5  | 29.5 | 22.5 | 15   | 14 |
| PL-08-03 | 8  | 3/8" | 10.5 | 31   | 22.5 | 15   | 17 |
| PL-08-04 | 8  | 1/2" | 13.5 | 34.5 | 22.5 | 15   | 21 |

| MODEL    | ØD | R    | L1   | L2   | L3   | ØD1  | ↻  |
|----------|----|------|------|------|------|------|----|
| PL-10-01 | 10 | 1/8" | 7.5  | 32.3 | 27.8 | 19   | 17 |
| PL-10-02 | 10 | 1/4" | 9.5  | 34.3 | 27.8 | 19   | 17 |
| PL-10-03 | 10 | 3/8" | 10.5 | 35.3 | 27.8 | 19   | 17 |
| PL-10-04 | 10 | 1/2" | 13.5 | 38.8 | 27.8 | 19   | 21 |
| PL-12-01 | 12 | 1/8" | 7.5  | 33.5 | 29.5 | 21.5 | 21 |
| PL-12-02 | 12 | 1/4" | 9.5  | 36   | 29.5 | 21.5 | 21 |
| PL-12-03 | 12 | 3/8" | 10.5 | 37   | 29.5 | 21.5 | 21 |
| PL-12-04 | 12 | 1/2" | 13.5 | 40   | 29.5 | 21.5 | 21 |
| PL-16-03 | 16 | 3/8" | 10.5 | 44   | 33   | 26.5 | 24 |
| PL-16-04 | 16 | 1/2" | 13.5 | 47   | 33   | 26.5 | 24 |