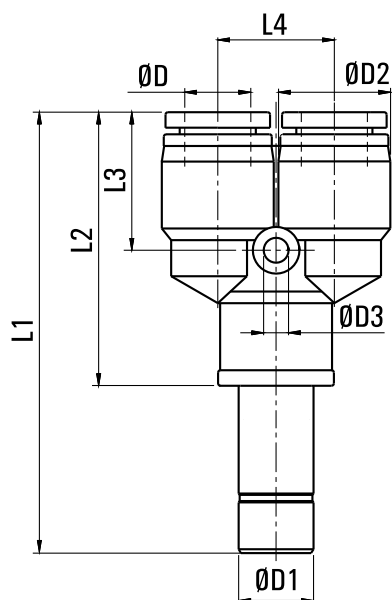


Trojnik redukcyjny 08-06 PWJ-08-06



| | |
|-----------|---------------------|
| SKU | PU-PWJ-08-06 |
| Producent | Hi-Tech |
| waz | Ø 8 mm |
| waz (r) | Ø 6 mm |
| typ | redukcja, trojnik Y |



| MODEL | ØD | ØD1 | ØD2 | ØD3 | L1 | L2 | L3 | L4 |
|-----------|----|-----|------|-----|------|------|------|----|
| PWJ-06-04 | 4 | 6 | 11.5 | 3.2 | 52.8 | 33.8 | 14.5 | 11 |
| PWJ-08-06 | 6 | 8 | 13.5 | 3.2 | 55.5 | 35 | 15 | 13 |
| PWJ-10-06 | 8 | 10 | 15 | 3.2 | 62 | 37.3 | 18 | 15 |
| PWJ-12-10 | 10 | 12 | 19 | 4.2 | 72.5 | 46.5 | 21 | 18 |