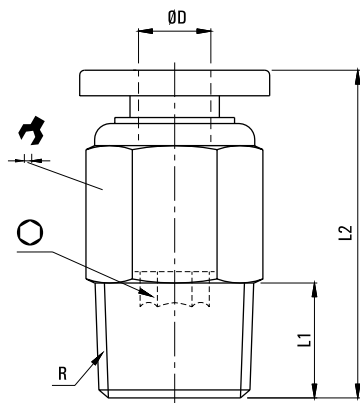


Złączka prosta PC-06-M5



| | |
|---------------|-------------|
| SKU | PU-PC-06-00 |
| Producent | Hi-Tech |
| waż | Ø 6 mm |
| typ | prosta |
| przyłącze | M5 |
| rodzaj gwintu | zewnetrzny |



| MODEL | ØD | R | L1 | L2 | ○ | ↻ |
|----------|----|------|------|------|---|----|
| PC-04-M5 | 4 | M5 | 3.5 | 20.3 | 2 | 10 |
| PC-04-01 | 4 | 1/8" | 7.5 | 20 | 3 | 10 |
| PC-04-02 | 4 | 1/4" | 9.5 | 18 | 3 | 14 |
| PC-04-03 | 4 | 3/8" | 10.5 | 19 | 3 | 17 |
| PC-06-M5 | 6 | M5 | 3.5 | 21 | 2 | 12 |
| PC-06-01 | 6 | 1/8" | 7.5 | 20.5 | 4 | 12 |
| PC-06-02 | 6 | 1/4" | 9.5 | 22.5 | 4 | 14 |
| PC-06-03 | 6 | 3/8" | 10.5 | 20.5 | 4 | 17 |
| PC-08-01 | 8 | 1/8" | 7.5 | 25.5 | 5 | 14 |
| PC-08-02 | 8 | 1/4" | 9.5 | 24.5 | 5 | 14 |
| PC-08-03 | 8 | 3/8" | 10.5 | 21.5 | 6 | 17 |
| PC-08-04 | 8 | 1/2" | 13.5 | 25.5 | 6 | 21 |

| MODEL | ØD | R | L1 | L2 | ○ | ↻ |
|----------|----|------|------|------|----|----|
| PC-10-01 | 10 | 1/8" | 7.5 | 29.5 | 5 | 17 |
| PC-10-02 | 10 | 1/4" | 9.5 | 31 | 6 | 17 |
| PC-10-03 | 10 | 3/8" | 10.5 | 28.5 | 8 | 17 |
| PC-10-04 | 10 | 1/2" | 13.5 | 26.5 | 8 | 21 |
| PC-12-01 | 12 | 1/8" | 7.5 | 31 | 5 | 21 |
| PC-12-02 | 12 | 1/4" | 9.5 | 33 | 6 | 21 |
| PC-12-03 | 12 | 3/8" | 10.5 | 30 | 8 | 21 |
| PC-12-04 | 12 | 1/2" | 13.5 | 32.5 | 8 | 21 |
| PC-16-03 | 16 | 3/8" | 10.5 | 36.5 | 8 | 24 |
| PC-16-04 | 16 | 1/2" | 13.5 | 38.5 | 10 | 24 |