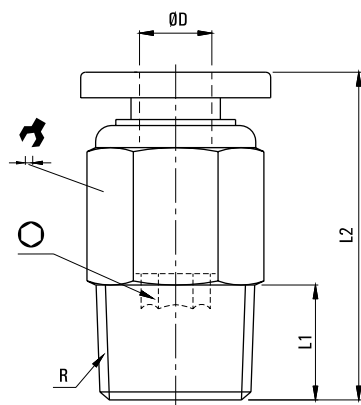


## Złączka prosta PC-04-1/8"



|           |             |
|-----------|-------------|
| SKU       | PU-PC-04-01 |
| Producent | Hi-Tech     |
| waż       | Ø 4 mm      |
| typ       | prosta      |
| przyłącze | G 1/8"      |



| MODEL    | ØD | R    | L1   | L2   | ○ | ↻  |
|----------|----|------|------|------|---|----|
| PC-04-M5 | 4  | M5   | 3.5  | 20.3 | 2 | 10 |
| PC-04-01 | 4  | 1/8" | 7.5  | 20   | 3 | 10 |
| PC-04-02 | 4  | 1/4" | 9.5  | 18   | 3 | 14 |
| PC-04-03 | 4  | 3/8" | 10.5 | 19   | 3 | 17 |
| PC-06-M5 | 6  | M5   | 3.5  | 21   | 2 | 12 |
| PC-06-01 | 6  | 1/8" | 7.5  | 20.5 | 4 | 12 |
| PC-06-02 | 6  | 1/4" | 9.5  | 22.5 | 4 | 14 |
| PC-06-03 | 6  | 3/8" | 10.5 | 20.5 | 4 | 17 |
| PC-08-01 | 8  | 1/8" | 7.5  | 25.5 | 5 | 14 |
| PC-08-02 | 8  | 1/4" | 9.5  | 24.5 | 5 | 14 |
| PC-08-03 | 8  | 3/8" | 10.5 | 21.5 | 6 | 17 |
| PC-08-04 | 8  | 1/2" | 13.5 | 25.5 | 6 | 21 |

| MODEL    | ØD | R    | L1   | L2   | ○  | ↻  |
|----------|----|------|------|------|----|----|
| PC-10-01 | 10 | 1/8" | 7.5  | 29.5 | 5  | 17 |
| PC-10-02 | 10 | 1/4" | 9.5  | 31   | 6  | 17 |
| PC-10-03 | 10 | 3/8" | 10.5 | 28.5 | 8  | 17 |
| PC-10-04 | 10 | 1/2" | 13.5 | 26.5 | 8  | 21 |
| PC-12-01 | 12 | 1/8" | 7.5  | 31   | 5  | 21 |
| PC-12-02 | 12 | 1/4" | 9.5  | 33   | 6  | 21 |
| PC-12-03 | 12 | 3/8" | 10.5 | 30   | 8  | 21 |
| PC-12-04 | 12 | 1/2" | 13.5 | 32.5 | 8  | 21 |
| PC-16-03 | 16 | 3/8" | 10.5 | 36.5 | 8  | 24 |
| PC-16-04 | 16 | 1/2" | 13.5 | 38.5 | 10 | 24 |