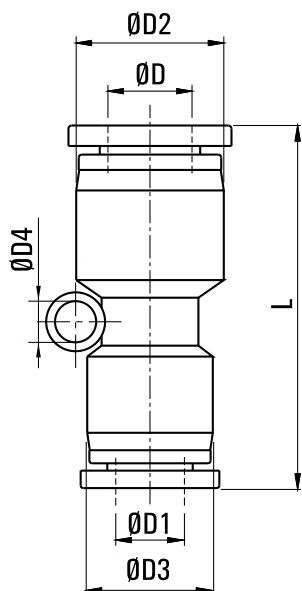


Redukcja 8/6 - 6/4 PG-08-06



SKU	PU-PG-08-06
Producent	Hi-Tech
waz	Ø 8 mm
waz (r)	Ø 6 mm
typ	redukcja



MODEL	ØD	ØD1	ØD2	ØD3	ØD4	L
PG-06-04	6	4	13.5	11.5	3.2	34.5
PG-08-04	8	4	15	13.5	3.2	36.5
PG-08-06	8	6	15	13.5	3.2	36.5
PG-10-06	10	6	19	15	4.2	44
PG-10-08	10	8	19	15	4.2	44
PG-12-08	12	8	21.5	19	4.2	48
PG-12-10	12	10	21.5	19	4.2	49
PG-16-12	16	12	26.5	26.5	-	64