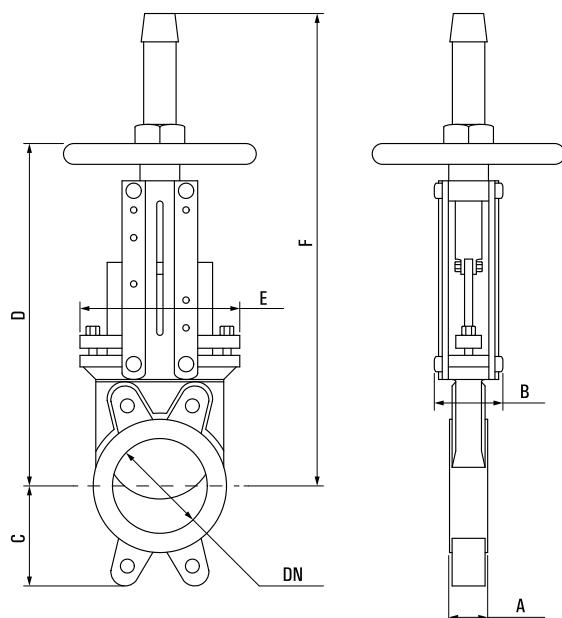


Zasuwa nozowa jednokierunkowa DN65 - PN10/16



| | |
|--------------------|------------|
| SKU | PG65-1 |
| Producent | Pneumatig |
| srednica | DN65 |
| cisnienie robocze | PN10, PN16 |
| testowane wg normy | ISO 5208 |



| DN | A | B | C | D | E | F |
|-----|-----|-----|-----|------|-----|------|
| 50 | 40 | 92 | 63 | 289 | 124 | 410 |
| 65 | 40 | 92 | 70 | 316 | 139 | 440 |
| 80 | 50 | 92 | 92 | 342 | 154 | 460 |
| 100 | 50 | 92 | 105 | 382 | 174 | 500 |
| 125 | 50 | 102 | 120 | 415 | 192 | 585 |
| 150 | 60 | 102 | 130 | 458 | 217 | 637 |
| 200 | 60 | 120 | 160 | 575 | 270 | 815 |
| 250 | 70 | 120 | 198 | 676 | 326 | 1016 |
| 300 | 70 | 120 | 234 | 776 | 380 | 1116 |
| 350 | 96 | 290 | 256 | 906 | 438 | 1336 |
| 400 | 100 | 290 | 292 | 1012 | 493 | 1442 |
| 450 | 106 | 290 | 308 | 1098 | 546 | 1628 |
| 500 | 110 | 290 | 340 | 1210 | 620 | 1740 |